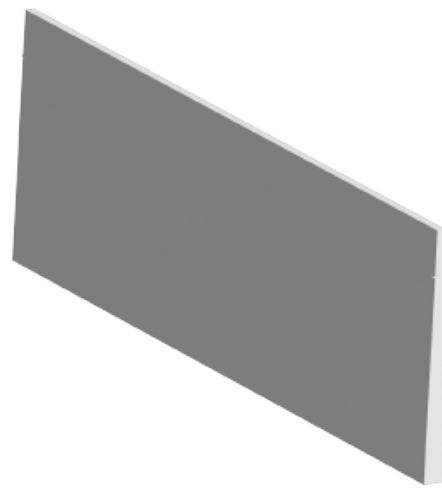




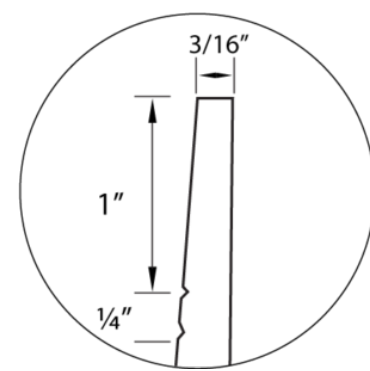
Aeratis PVC Lap Siding is now available in 2 different reveals. 5-½ and 7-¼ . All siding boards are paint ready and come 16' long. Just as all other Aeratis products, the new siding line was created to replicate early 1800's real wood siding. While other manufactures work to hide imperfections in their product by adding deep wood grain, we are creating an exact replica if wood siding. Original wood siding was not rough nor did it have a visible wood grain. Early siding planks were planed and sanded smooth and then multiple coats of paint were then added to make the siding even more smooth. The smoothness was the most desired not only because of it's beauty, it's function was to allow dirt and wind blown debris to slide right off the face. Deep grain siding product provide the perfect shelf for dirt, grime, mildew and mold to grow. With a true smooth siding product made from PVC, simple wash with the water hose and you can eliminate all dirt, dust and debris. In addition, Aeratis PVC Lap Siding can be installed all the way down to the exterior living space floor, roll lock brick and all the way down to the valley metal. Aeratis siding is not cementitious nor is it made from ground wood chips and it will not absorb water at the same rate as these inferior product. **FIRST TIME USER CONTRACTOR REBATE**



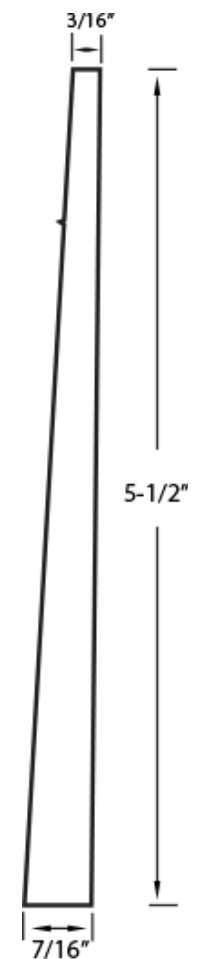
7/16" x 5-½" x 192'
Lap or Bevel Siding

Aeratis 5-½" Paint Ready Lap Siding

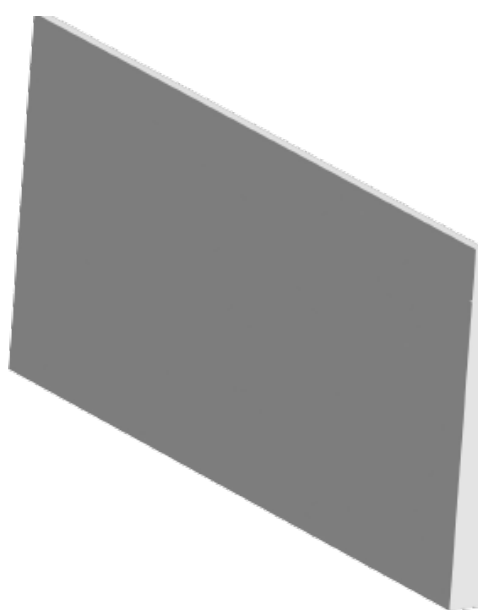
Aeratis solid extruded PVC siding is not only the best-performing siding in the industry, but it is also the most AUTHENTIC siding available on the market. Having replicated historic cypress and cedar siding the Aeratis 5-½" siding profile is exactly the same profile and appearance as a cypress and cedar siding dating back to the early 1800's.. For years siding manufacturers have been adding deep wood grain to hide imperfections on the surface. Aeratis lap siding is not only perfectly smooth it offers the absolute best surface for acrylic exterior paints to bond with. So now you can dream in any color and have not only the best-performing siding available but the most authentic.



Notice at the top of the siding product there are two grooves that have been added to the product surface. These two lines play a significant roll during the installation process. The top line allows the installer to place the bottom of the nailer prior to shooting the nail into the siding. This insures the nail is never visible. The second line shows the installer where to place the bottom of the next board in the run. if the installer levels the first board, all subsequent boards will automatically be level if they place the next board in the run perfectly on this line. These two lines will help reduce installation time as well as installation mistakes made



[INSTALLATION GUIDE \(CLICK HERE\)](#)



7/16" x 7-¼" x 192'
Lap or Bevel Siding

Aeratis 7-¼" Paint Ready Lap Siding

Aeratis solid extruded PVC siding is not only the best-performing siding in the industry, but it is also the most AUTHENTIC siding available on the market. Having replicated historic cypress and cedar siding the Aeratis 7-¼" siding profile is exactly the same profile and appearance as a cypress and cedar siding dating back to the early 1800's.. For years siding manufacturers have been adding deep wood grain to hide imperfections on the surface. Aeratis lap siding is not only perfectly smooth it offers the absolute best surface for acrylic exterior paints to bond with. So now you can dream in any color and have not only the best-performing siding available but the most authentic.

[INSTALLATION GUIDE \(CLICK HERE\)](#)

