

BALDWIN®



ESTATE™

OCTOBER 2024 PRICE BOOK

BALDWIN®

what's new

USING SCALE TO ELEVATE DESIGNS

Luxury design deserves the freedom to choose the size and scale that best suits each project. Four of our best-selling knobs now come in a variety of sizes, allowing you to create your perfect door hardware pieces. Our Minneapolis, Baltimore, and Nashville knobs join the Hollywood Hills knob as options available in multiple sizes. Elevate your design with these versatile and elegant knob sizes.



'NEW TRADITIONAL' LEVER CHOICES

Baldwin introduces the 'New Traditional' collection of levers, combining classic elements with modern lines to meet evolving tastes. This blend of traditional and contemporary styles is showcased in three new lever designs. Baldwin is excited to add these stylish and innovative options to our portfolio, enhancing both unique aesthetic appeal and functionality.



INNOVATION WITH OUR LATCH

Our revolutionary hardware latch has been enhanced for greater versatility and simplicity. This new latch design allows for adjustable length to accommodate various backsets and provides strength adjustments for both knobs and levers. Experience seamless integration and superior functionality with this advanced latch. For item availability and detailed information, please look throughout our book.



finishes

Baldwin Hardware is proud to offer a diverse selection of premium finishes, including PVD, Living, and Lacquered options. With the lasting durability of PVD, the timeless elegance of Living, and the charm of Lacquered finishes, every customer can find the perfect aesthetic touch without compromising on quality. Discover the beauty of Baldwin and its diverse finish options.

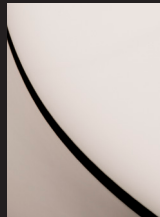
LIFETIME PVD FINISHES



003
Lifetime (PVD)
Polished Brass



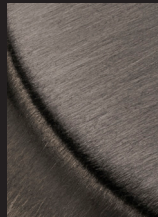
044
Lifetime (PVD)
Satin Brass



055
Lifetime (PVD)
Polished Nickel



056
Lifetime (PVD)
Satin Nickel



076
Lifetime (PVD)
Graphite Nickel

PVD FINISH

PVD finishes are designed to last a lifetime and withstand the wear and tear of various outdoor conditions. Our newest PVD Finish Graphite Nickel, is award winning NYCxDESIGN Awards honoree, DPHA Product of the Year, the Hardware Good Design Award, and the Luxe Red Award Reader's Choice Award.

LIVING FINISHES



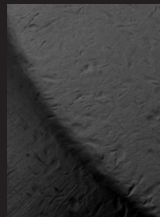
031
Non-lacquered
Brass



033
Vintage Brass



102
Oil Rubbed Bronze



402
Distressed Oil
Rubbed Bronze

LIVING FINISH

Our Living finishes are designed to evolve over time, adding character to your hardware. Please note that these finishes are not covered by our finish warranty, as their natural transformation is an integral part of their charm.

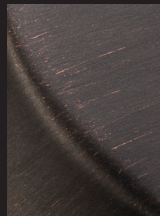
NON-LIVING FINISHES



050
Satin Brass & Black



060
Satin Brass & Brown



112
Venetian Bronze



190
Satin Black



260
Polished Chrome

HAND-RELIEVED FINISH VARIANCES

Our Non-Living / Lacquered product finishes exhibit variations in luster, hue, and appearance due to the artisanal intricacies involved in the final finishing stages.

MIXED METAL FINISHES

M01	055 Shank x 190 Grip
M02	190 Shank x 055 Grip
M03	044 Shank x 190 Grip
M04	190 Shank x 044 Grip
M05	056 Shank x 190 Grip
M06	190 Shank x 056 Grip
M07	190 Shank x 031 Grip
M08	031 Shank x 190 Grip
M09	056 Shank x 055 Grip
M10	055 Shank x 056 Grip

BALDWIN # US # BHMA

003 =	3	-
044 =	4	606
050 =	5	609
056 =	15	-
102 =	10B	613
190 =	19	622
260 =	26	625

SELECT FINISHES

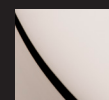
Only available in select Estate Collections



030
Polished
Brass



150
Satin
Nickel



140
Polished
Nickel

CARE OF BALDWIN FINISHES

GENERAL HARDWARE MAINTENANCE

- Wait until nearby surfaces that have been treated with acid or chemicals has been completed before installing the hardware.
- Do not use any type of harsh chemicals on Baldwin door hardware.
- Be sure all surface paint or stain is fully dried before installing Baldwin hardware.
- Remove hardware when re-painting and do not re-install until paint is thoroughly dry.
- Avoid hitting your hardware with rings, keys or other sharp instruments.

031 LIVING FINISH RECOMMENDED MAINTENANCE

This finish has been developed to age and patina over time. If you feel you do need to clean 031 finish use a soft cloth dampened with a mild, soapy water, and dry immediately with a soft cloth.

033 LIVING FINISH RECOMMENDED MAINTENANCE

Use rubbing alcohol and a soft cloth to remove any residual wax that may be on the hardware. Next, take a piece of Ultra Fine Scotch-Brite pad and randomly rub the hardware to remove any stains or dirt. Use a wood floor paste finishing wax, such as Minwax, and apply a light coat all over. Be sure to apply in the details of the hardware. Allow the wax to dry to a haze, then buff off the wax with a soft cloth.

102 AND 402 LIVING FINISHES RECOMMENDED MAINTENANCE

Treat new hardware as soon as it is installed with a thin coat of 3-In-One Oil or its equivalent, which can be purchased at a local home center. Coat the entire surface generously and let it stand for a few minutes. Dab off the excess with a soft material. Do not wipe the product as it could remove the oxidation from the hardware. We suggest repeating this process every couple of months, but over time areas that are touched by the hand will reveal the brass substrate below. Areas that are not touched will remain the same in appearance as long as the finish is maintained.

MAINTAINING OIL RUBBED BRONZE FINISHES

HOW IS THE FINISH CREATED?

Today Baldwin creates the 102 and 402 finishes through a process of oxidation of the material. The color you see is actually obtained by immersing metal in a special chemical solutions which, when properly heated, reacts with the material and causes oxidation. To preserve this appearance, we coat it with a thin coat of wax and oil.

HOW SHOULD THE FINISH BE MAINTAINED?

After the hardware has been installed, the oil and wax may have been wiped off or worn away. We suggest treating the new hardware trim as soon as it's installed with a thin coat of light oil. 3-IN-ONE Oil or its equivalent will suffice. Coat the entire surface generously and let it stand for a few minutes. Then wipe off the excess lightly with a soft material. Care must be taken when treating the hardware not to saturate the finished surface of the door. This procedure should be repeated as needed and will depend on the amount of use, exposure to weather and wear of the hardware.

HOW WILL THE FINISH AGE?

Over time the oxidation will be worn away in those areas that are touched by the hand and reveal pleasing copper alloy tones. Areas that are not touched will remain the same in appearance as long as the finish is maintained. The general look of well maintained oil rubbed bronze is one of the most beautiful and practical hardware finishes available today, however on-going maintenance is mandatory to preserve its appearance.

BALDWIN'S COMMITMENT TO EXCELLENCE

Baldwin has been dedicated to simplifying and enhancing our business, products, and your overall experience in recent times. Programs like our MAP policy, new Estate Quick Ship options, and investments in component inventory are working together to make Baldwin easier to order, simpler to sell, and quicker to receive.

We have accelerated our pace of change by structuring Baldwin as a stand-alone business under a single leader. With this, new levels of focus and investment are driving significant improvements across all facets of Baldwin.

A few notable changes you can expect to see from us:

- Our commitment to a "5-5-4" shipping model: Estate's Quick Ship and Reserve products will now ship within just 5 business days, while our Made-to-Order Estate products will ship in 4 weeks or less. We have consistently upheld this promise since early 2024.
- Accelerated new product introductions: We are picking up the pace on delivering leading and relevant styles to you across multiple categories. Expect something new from Baldwin every 90 days! For more details and an overview of our latest products, please look for the "New" label throughout the book.
- Improved digital tools: Check out our new Baldwin Lock Designer visualization tool on baldwinhardware.com.
- Streamlined ordering experience: We have merged our A La Carte Knobs and Levers with our Pre-Configured options, allowing you to view your favorite knobs and levers alongside their most popular lock-in-a-box pre-configured rose sets in one simple view.

Should you need any assistance or further clarification on these changes, please do not hesitate to reach out to your Baldwin representative. We are excited about the future of Baldwin and continuing the remarkable legacy of this esteemed hardware brand.

BALDWIN | *Unlocking Excellence*

Ordering & Shipping Lead Times



Available Quick Ship styles & functions are marked with the Quick Ship logo and red font throughout the price book.

BALDWIN QUICKSHIP PROGRAM

Our Quick Ship program is designed to expedite the delivery of our most popular styles, designs, and finishes. With over 5,200 products available, customers can enjoy prompt processing and shipping within five business days from order confirmation (standard lead times apply if specialty keying is required). The Quick Ship program is available in select finishes and styles. Look for the red text and logo to verify eligibility. Take advantage of the preconfigured knob and lever sets, which include all necessary items in one box for standard door types, ensuring a seamless and efficient shipping experience.

BALDWIN ESTATE GENERAL LEAD TIMES

Unless otherwise specified, all other products in the Estate catalog will ship from the Baldwin distribution center within four weeks from the date of order entry. Our made-to-order model ensures that your order is assembled with care and shipped within this timeframe. Need something faster? Our Quick Ship program guarantees shipping within five business days from the date of order entry.

FREIGHT AND EXPEDITED FREIGHT

Orders receive freight prepaid by Baldwin. Baldwin will utilize standard ground transportation unless otherwise indicated. In addition to ground freight, Baldwin offers 3 types of expedited freight at the customer's cost: Next Day, Two Day and Three Day. To request expedited freight, just indicate which of the three options you prefer.

HOW DO I REQUEST SAME DAY SHIPMENTS?

To receive same day shipment on any of your orders, please verify that the items are in stock. This can be done by checking Baldwin Express or contacting Baldwin Customer Service. If the item(s) is available, contact Baldwin Customer Service to make us aware that your order is being sent and that it needs to be shipped that day. Orders must be received by Baldwin prior to 10:30 a.m. EST and should be sent to the attention of the Customer Service Representative that you notified. Please note "SHIP TODAY" on the order and if you want to use expedited freight. (i.e. Next day, Two day, etc).

UPDATED CUSTOMER ORDERING CONTACTS

If you already have a direct ordering account with Baldwin Hardware, please note our new email address for orders: baldwin.orders@assaabloy.com. As always, our customer service team is available to everyone to assist with any questions about ordering, shipping, lead times, or products at (800) 437-7448.

How To Order & Installation

Essentials	4
Part Numbers & Process	5
How to Order & Installation Examples	6

Knob and Lever Overview

Knobs	12
Levers	14

Knobs and Levers

Knobs	17
Levers	32

A La Carte Components

Rosettes	54
Latches	64
Interior Knob & Lever UL Kits	65
Strikes	67
Spindles	69
Mortise Bolts	70
Turn Piece	71
Turn Knobs	72
ER Trim	73
Spare Parts & Installation Tools	74
Communicating Door Kits	76

Keyed Entry Knobs and Levers

Keyed Entry Knobs	78
Keyed Entry Levers	80

Deadbolts

Tubular Deadbolts	83
UL Kits	89
Tubular Deadbolt Accessories	90

Electronic Deadbolts

Touchscreen Deadbolts & Handlesets	91
Keypad Entry	95

Tubular Handlesets

Specification	98
Entrance Sets	100

Mortise Lock Trims, Locks, & Cylinders

Specifications	115, 147, 156
Trims	119
Thick door kits	150
Entrance Functions Locks	154
Grade 1 Locks	156
Interior Functions Locks	158
Deadlocks	160
Electrified Locks	161
Strikes	162
Armored Fronts	163
Lock Trim Thickness Index	164
Cylinders - C Keyway Table	164
Cylinder Accessories	164
Cylinder Trim	168
Key Blanks	171
Replacement Parts	172
Tools & Accessories	173

Sliding Door Locks

Pocket Doors	174
--------------	-----

Multi-Point

How to Order	182
Configurations	185

Rim Locks and Cremone Bolts

Standards & Specifications	198
Passage, Privacy, and Entrance	199
Trim & Accessories	200
Cremone Bolts	202

General Hardware

Letter Box Plates	205
Door Knockers	206
Bell Buttons	207
Door Guards & Surface Bolts	208
Flush Rings & Edge Pulls	210
Costume Hooks	213
Flush Bolts & Strikes	213
Kick Plates	214
Push Plates and Pulls	214
Door Stops	219
Mortise Hinges	221

Cabinet Hardware

Cabinet Hardware	226
------------------	-----

Index

Numerical	242
Alphabetical	247

Lock Types:

1) Mortise



2) Tubular



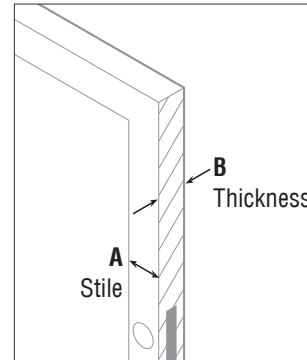
Door Types:

- Wood, Fiberglass & Hollow Metal
- Hollow Fiberglass & Metal doors do NOT allow for any mortise lock installation

Door Prep:

- 1) Pre-drilled for Mortise
- 2) Pre-drilled for 2.125" bore hole Tubular
- 3) Pre-Drilled for 1.5" bore hole Tubular
- 4) Un-prepped (blank door) – ideal for tubular latch or mortise installations (Estate Passage – 0.625" hole for spindle; Estate Privacy – prep varies, see Installation Instructions)
- Adapters can retrofit most Estate Tubular hardware for 1.5" and 2.125" pre-drilled doors
- Tubular locks CANNOT be used on Mortise-prepped doors
- Mortise locks can rarely be used on 2.125" bore Tubular-prepped doors

DOOR THICKNESS & STILE



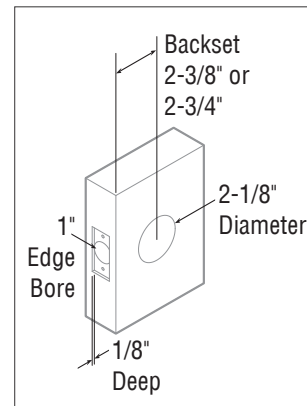
Door Thickness:

- Industry Standards – 1.75" (Exteriors) & 1.375" (Interiors)
- Doors ≥ 2.50" Thick limits hardware options – Contact Customer Service
- Exterior Doors < 1.75" Thick limits hardware options
- Escutcheon thickness determines cylinder & spindle lengths needed (see Inside Back Cover)

Door Stile Width:

- Narrow Stiles (4" or less) limit backset & escutcheon trim options
- 3" or less Stile severely limits Mortise Lock Function, & Escutcheon options

DOOR BACKSET



Door Backset:

Measurement from edge of door (where it latches) to centerline of lock or doorknob

Door Handing:

- Certain Lock Types require correct handing (Exterior Levers, Mortise Boxes, Half Dummy Levers Split Finish/Style Levers)
- HAND OF DOOR ALWAYS DETERMINED FROM OUTSIDE

A few rules to follow:

- The outside of an exterior door is the street or entrance side
- The outside of a room door is the hall side
- The outside of a single communicating door is the side from which the hinges are not visible when the door is closed
- The outside of a closet door is the room or hall side

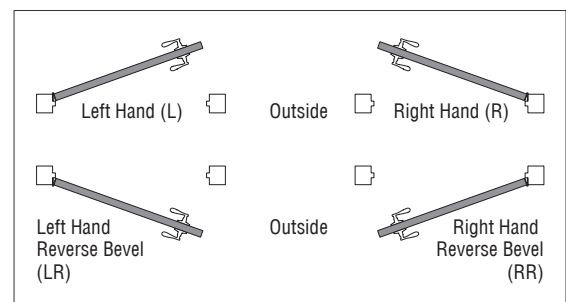
Right Handed: hinges on RIGHT – door swings IN

Left Handed: hinges on LEFT – door swings IN

Right Hand Reverse Bevel: hinges on RIGHT – door swings OUT

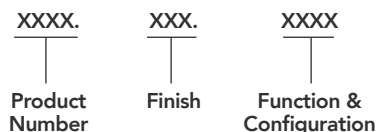
Left Hand Reverse Bevel: hinges on LEFT – door swings OUT

DOOR HANDING



BALDWIN PART NUMBERS ARE MADE UP OF THREE PARTS SEPARATED BY PERIODS:

- 1) Product Number communicates Style
- 2) 3-digit Finish
- 3) Suffix communicates Function/Configuration



ORDERING ESTATE KNOBS & LEVERS, A LA CARTE

1) SELECT KNOB/LEVER

ex: 5455v.056.MR - 5455V Lever, Satin Nickel, Minus Rose

2) SELECT ROSE (or ESCUTCHEON)

ex: 5148.056 – Traditional Rose. Satin Nickel

3) SELECT LATCH (or MORTISE LOCK)

ex: 5540.056.P – Tubular Latch. Satin Nickel.Privacy

4) ADDITIONAL HARDWARE

See following 'HOW TO ORDER' pages for other hardware that may be needed. Eg. pre-drilled door adaptor, privacy pin extension for thicker doors, spindles, etc.

SUFFIXES

KNOBS & LEVERS:

Function Code	Description
.MR	Pair of Knobs or Levers, Minus Rose
.IMR	One Knob, Minus Rose
.RMR	One Right Lever, Minus Rose
.LMR	One Left Lever, Minus Rose
.PASS	One Preconfigured Passage Set
.PRIV	One Preconfigured Privacy Set
.FD	One Preconfigured Full Dummy Set
.IDM	One Preconfigured Half Dummy Knob Set
.RDM	One Preconfigured Right Hand Half Dummy Lever Set
.LDM	One Preconfigured Left Hand Half Dummy Lever Set

LATCHES:

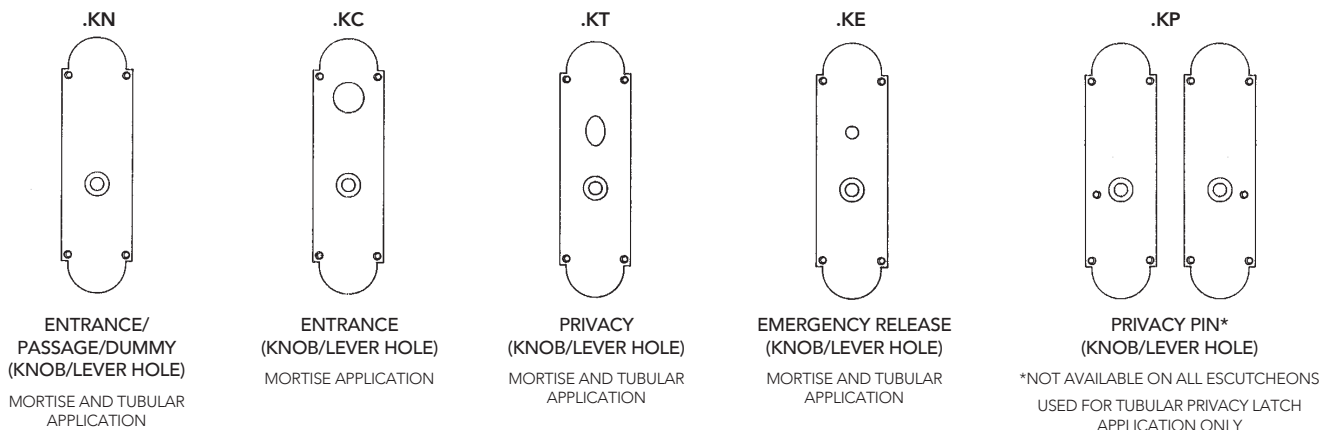
Function Code	Description
No suffix	Passage Latch
.P	Privacy Latch

ROSETTES:

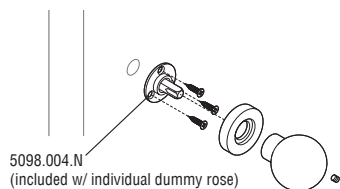
Function Code	Description
No suffix	Pair, Active
.FD	Pair, Dummy
.I	Half Pair, Active
.IDM	Half Pair, Dummy
.PS	Pair, Passage Active
.PV	Pair, Privacy Active
.IPS	Half Pair, Passage Active
.IPV	Half Pair, Privacy Active

ESCUTCHEON PLATE CONFIGURATIONS

Ordered in half pairs except for privacy (.KP) cut-outs which are ordered in pairs.



Half Dummy w/ Rose



HOW TO ORDER

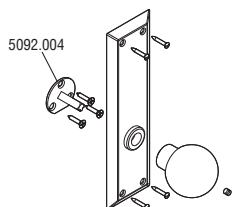
WHAT YOU NEED:	PART # EXAMPLE	PAGE #
Knob – Individual Minus Rose (.IMR)	5041.056.IMR	34
Handed Lever – Right Minus Rose (.RMR or .LMR)	5162.056.RMR	44
Rose – Individual (.IDM) (Rose .IDM includes 5098.004.N Half Dummy back plate)	5006.056.IDM	51

INSTALLATION

- Position 5098.004.N* Back Plate with dummy spindle at desired location and relieve the door surface to allow flush seating of the back plate. (NOTE: the word "TOP" is marked on the back plate for exact alignment.)
- Install screws into back plate.
- Thread rose retainer over rose onto back plate and install trim.

NOTE: Nos. 5084/5094 Rigid Mounting Trim is available for thru bolt Dummy Mount applications.
*For exposed screw mounted roses, appropriate half dummy spindle is supplied standard.

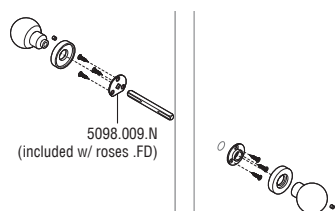
Half Dummy (Escutcheon Plate)



WHAT YOU NEED:	PART # EXAMPLE	PAGE #
Knob – Individual Minus Rose (.IMR)	5041.056.IMR	34
Handed Lever – Right Minus Rose (.RMR or .LMR)	5162.056.RMR	44
Escutcheon Plate – .KN	6794.056.KN	127
Half Dummy Spindle	5092.004	67

NOTE: See Spindle Chart for length needed

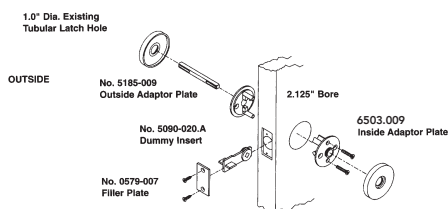
Full Dummy



WHAT YOU NEED:	PART # EXAMPLE	PAGE #
Knob or Lever – pair Minus Rose (.MR)	5041.056.MR	34
Rose – pair Full Dummy (.FD)	5002.056.FD	51
Spindle – 3.5" standard for install w/ roses	0510.004	66

NOTE: See Spindle Chart for length needed.

Full Dummy w/ Pre-Drilled Cut-Out

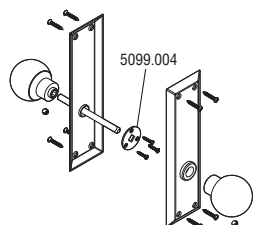


WHAT YOU NEED:	PART # EXAMPLE	PAGE #
Knob or Lever - Pair Minus Rose (.MR)	5041.056.MR	34
Rose - Pair Full Dummy (.FD)	5046.056.FD	51
For 2.125" Pre-drilled Doors add: Adaptor	6503.009	64
Dummy Insert & Filler Plate (plugs latch hole)	5090.020.A	67
Spindle – 3.5" standard for install w/roses	0510.004	66

NOTE: See Spindle Chart for length needed.

- Install 5090.020.A Dummy Insert into tubular latch hole.
- Position 6503.009 Adaptor (with threaded studs attached) on outside of door and 6503.009 Adaptor Interior on inside face of door.
- Install screws through the inside Adaptor and thread screws into studs.
- Install 0579.007 Filler Plate on edge of door.
- Thread rose retainers over rose onto 6503.009 Adaptor Set.
- Insert spindle and install trim.

Full Dummy (Escutcheon Plate)



WHAT YOU NEED:	PART # EXAMPLE	PAGE #
Knob or Lever – pair Minus Rose (.MR)	5041.056.MR	34
(2) Escutcheon Plates – Cut for Knob/Lever (.KN)	6794.056.KN	127
(2) Dummy Trim Plates	5099.004	67
Spindle – 4"	0511.004	66

NOTE: See Spindle Chart for length needed.

- Drill a .625" (16mm) hole completely through the door.
- Insert spindle through drilled hole with the V grooves down and toward the bottom hinge.
- Slide 5099.004* Back Plates over spindle. (NOTE: the word "TOP" is marked on the back plate for exact alignment.)
- Install screws into back plate.
- Place escutcheon over back plates and install trim.

NOTE: The 5090.020.A Dummy Insert is available with 6503.009 Adaptor Set for full dummy applications on pre-drilled doors.

Refer to Components in this catalog section.

*For full dummy trims, 5099.004 Back Plate is supplied standard.

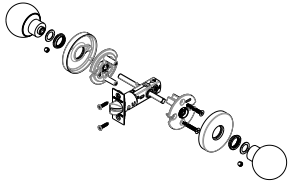
ASSUMED FOR EXAMPLES:

Backset – 2.375"
Door thickness – 1.375"

NOTE:

for PRE-DRILLED DOORS, Rose/Escutcheon must be at least 2.625" diameter/wide to cover bore hole

Passage Pre-Drilled Door

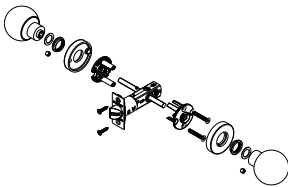


WHAT YOU NEED:	PART # EXAMPLE	PAGE #
Knob Or Lever - pair Minus Rose (.MR)	5041.056.MR	34
Passage Rose Pair (no suffix or .PS)	5046.056	34
Latch	5540.056	
Knob Adapter (or Lever Adapter)	6503.009 (6507.009)	34
Heavy Lever Adapter	6507.004	

NOTE: See Spindle Chart for length needed
See Adapter Chart to confirm adapter needed for lever selected.

- A. Install latch and strike per template.
- B. Install spindle.
- C. Install Pre-drilled bore adapter.
- D. Tighten adaptor screws.
- E. Place rose over the door adaptor and secure by threading 5197.xxx rose retainer onto the adaptor. Tighten with the 5326.000 rose retainer wrench tool provided.

Passage w/ Rose Installation - Tubular Latch



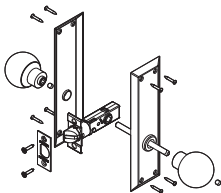
HOW TO ORDER		
WHAT YOU NEED:	PART # EXAMPLE	PAGE #
Knob or Lever – pair Minus Rose (.MR)	5041.056.MR	34
Passage Rose – pair (no suffix or .PS)	R058.056.PS	51
Small Bore Adapter:	5086.009 Knob 6501.009 Regular Lever 6510.009 Heavy Lever	64
Latch	5540.056	63

NOTE: See Spindle Chart to confirm spindle model needed

- | INSTALLATION | |
|--------------|--|
| A. | Thread supplied roses onto 5097.009.N Back Plates. |
| B. | Insert 5085.000 Graphite Spacer over spindle and into rose. |
| C. | Slide knob or lever trim completely onto the spindle from both sides of the door. (NOTE: A minimal amount of "play" is required between the knob/lever and the rose to prevent the trim from binding.) |
| D. | Secure steel set screws with 1/8" Hex . |

IMPORTANT: Set screw is coated with a special epoxy (resin) to prohibit the screw from loosening over time.

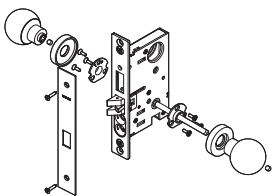
Passage (Tubular Latch & Escutcheon)



WHAT YOU NEED:	PART # EXAMPLE	PAGE #
Knob or Lever – pair Minus Rose (.MR)	5041.056.MR	34
Escutcheon Plates – Cut for Knob/Lever (.KN)	6794.056.KN (X2)	127
Latch	5540.056	63
Spindle – 4"	0511.004	66

NOTE: See Spindle Chart for length needed.

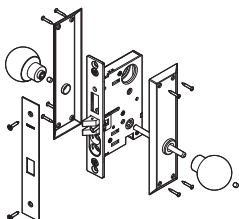
Passage (Mortise Lock)



WHAT YOU NEED:	PART # EXAMPLE	PAGE #
Knob or Lever – pair Minus Rose (.MR)	5041.056.MR	34
Passage Rose – pair (no suffix or .PS)	5002.056	51
Heavy Duty Mortise (6110 2.75" Backset) (6318 2.5" back set)	6318 2.5" back set	145
Spindle – 3.5" standard for install w/ roses	0510.004	66

NOTE: See Spindle Chart for length needed.

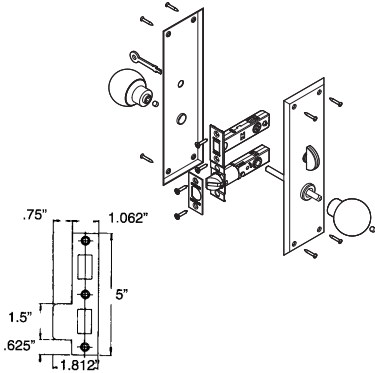
Passage (Mortise Lock & Escutcheon)



WHAT YOU NEED:	PART # EXAMPLE	PAGE #
Knob or Lever – pair Minus Rose (.MR)	5041.056.MR	34
(2) Escutcheon Plates – Cut for Knob/Lever (.KN)	6794.056.KN	127
Heavy Duty Mortise (6110 2.75" Backset) (6318 2.5" back set)	6318 2.5" back set	145
Spindle – 4"	0511.004	66

NOTE: See Spindle Chart for length needed.

Passage Knob w/ Tubular Latch, Mortise Bolt & Escutcheon Plate



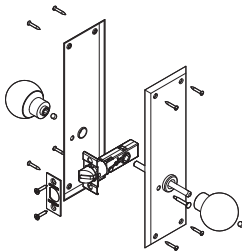
HOW TO ORDER

WHAT YOU NEED:	PART # EXAMPLE	PAGE #
Knob or Lever – pair Minus Rose (.MR)	5041.056.MR	34
Escutcheon plate –		
Outside: Cut for Emergency (KE)	6794.056.KE	127
Inside: Cut for Turn Knob (KT)	6794.056.KT	127
Knob Latch (or Lever Latch)	5510.056 (5513.056)	63
Solid Spindle* – 4"	0511.004	66
Mortise Bolt	0418.056.LTP (Less Turn Piece)	68
Combination Strike (Handed)	5528.056.L	65

NOTE: See Spindle Chart to confirm spindle model needed based off trim and door thickness. Heavy levers not recommended for this application.

Privacy with Pin in Escutcheon and Tubular Latch

NOT AVAILABLE FOR ALL ESCUTCHEONS

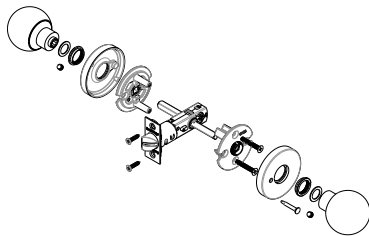


WHAT YOU NEED:	PART # EXAMPLE	PAGE #
Knob or Lever – pair Minus Rose (.MR)	5041.056.MR	34
Escutcheons (ordered as pair) KP cut for Privacy	6513.056.KP	136
Knob Latch (or Lever Latch)	5510.056.P (5513.056.P)	63
Pin Extender (knob sets only) – Doors thicker than 1.625	5199.000	64
Swivel Spindle – 4"	0522.004	66

NOTE: See Spindle Chart to confirm spindle model needed based off trim and door thickness. Heavy levers not recommended for this application.

Privacy Pre-Drilled Door

Privacy with Pin in Rose
NOT AVAILABLE FOR ALL ROSES



HOW TO ORDER

WHAT YOU NEED:	PART # EXAMPLE	PAGE #
Knob or Lever – pair Minus Rose (.MR)	5041.056.MR	34
Privacy Rose – pair (no suffix)	5046.056	51
Knob Latch (or Lever Latch)	5540.XXX.P + 6503.009 Adaptor* (5540.xxx.P + 6504.009, 6507.009 Adaptor*)	63 & 64
Pin Extender –	5199.000	64
Knob Sets: Needed for doors thicker than 1 5/8"	(see Pin formula)	
Lever Sets: Needed for doors thicker than 1.75"	(see Pin formula)	

INSTALLATION

A. Install latch and strike per template.
B. Install spindle.
C. Install 6503.009 or 6504.009 door adaptor.
D. Tighten adaptor screws.
E. Place rose over the door adaptor and secure by threading 5197.xxx rose retainer onto the adaptor. Tighten with the 5326.000 rose retainer wrench tool provided.
F. Thread 5510.056.030 or 5513.056.030 privacy button into latch.

NOTE: Latches come with a spindle compatible up to 1 3/4" door thickness. See Spindle Chart to confirm spindle model needed. Adapters are required on doors with 2 1/8" face-bore. Not all Roses available with Privacy Function – see Roses Section

ASSUMED FOR EXAMPLES:

Backset – 2.375"
Door thickness – 1.375"

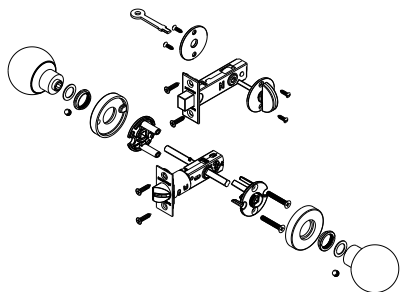
NOTE:

for PRE-DRILLED DOORS, Rose/Escutcheon must be at least 2.625" diameter/wide to cover bore hole

*See Spindle Chart for length needed

Passage Knob w/ Mortise Bolt

w/ 2.25" or smaller roses only



HOW TO ORDER

WHAT YOU NEED:	PART # EXAMPLE	PAGE #
Knob or Lever – pair Minus Rose (.MR)	5041.056.MR	34
Privacy Rose – pair (no suffix)	5046.056	51
Knob Latch (or Lever Latch)	5540.056 + 6503.009 Adaptor (5540.056 + 6504.009 Adaptor)	63
Mortise Bolt	0418.056.LTP (Less Turn Piece)	68
Turn Piece	6750.056	69
Emergency Release Trim	0416.056	71

NOTE: Latches come with a spindle compatible up to 1.75" door thickness. See Spindle Chart to confirm spindle model needed.

INSTALLATION

Mortise Bolt Installation

- When installing Mortise bolts, ALWAYS check width of Emergency Release Trim before drilling face bore. Standard bore is .625" (16mm) completely through door. Emergency Release Trim 0406 and 0407 require a .5" (13mm) bore on outside face of door; a .625" (16mm) bore on inside face of door.

IMPORTANT: When Emergency Release Trim is used, the turn piece spindle must be cut to extend no farther than halfway through the bolt.

Tubular Latch/Mortise Bolt Installation

- When installing Mortise bolts with tubular latches, ALWAYS ensure that face plates of both mechanisms have a minimum of .5" (13mm) clearance between face plates [2.75" (70mm) minimum distance between center of bolts] for proper strike installation. If mortise bolt and latch/face plates are installed against each other (as illustrated), use 5528 Strike illustrated above, and on page 50.

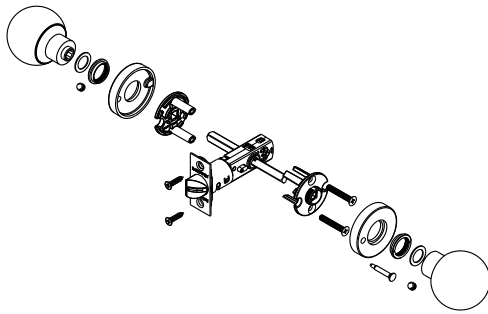
CAUTION: WHEN ROSES OF 2.625" DIAMETER ARE USED WITH THIS STRIKE, TURN PIECES NOS. 6728, 6732, 6733, 6734, 6751, and 6762 CANNOT BE USED DUE TO CLEARANCE RESTRICTIONS.

NOTE: 5528 strike is designed with a curved lip. Please specify hand of door when ordering. Hand of strike based on latch bolt being installed below the mortise bolt. Tubular latches and mortise bolts may be used in conjunction with escutcheons. Use of 5528 Strike is required to replace normally furnished strikes due to clearance restrictions.

*See Spindle Chart for length needed

2" Privacy Rose Installation

5540.xxx.P Adjustable Latch with Small Bore Adapter



WHAT YOU NEED:	PART # EXAMPLE	PAGE #
Knob Or Lever - pair Minus Rose (.MR)	5041.056.MR	34
Passage Rose Pair (no suffix or .PS)	R058.056.PV	34
Latch	5540.056.P	
Knob Adapter (or Lever Adapter)	5086.009 (6511.009)	62
Spindle	0521.004	34

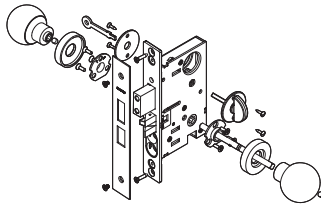
NOTE: See Spindle Chart for length needed
See Adapter Chart to confirm adapter needed for lever selected.

INSTALLATION

- A. After completing the latch and backplate installation, a hole for the privacy button needs to be drilled.
The first step is to remove the alignment Bushings and spindle used for the backplate installation process.
- B. Attach the roses to the backplates using the rose retainers and tighten with the supplied spanner tool.
Use a pencil to mark the privacy hole location on each side of the door.
- C. To avoid damage, remove both roses and the latch before drilling the privacy holes.
- D. Drill a 1/4" diameter hole through both sides of the door.
Caution: To assure proper hole location drill from each side of the door and not from one side only.
- E. Re-install the latch and re-attach both roses.
On the inside of the room, thread the privacy button into the latch and install the knobs or levers.

NOTE: Installation with small bore adapter works with any 2.625" roses.

Mortise Lock w/ Emergency Release Trim

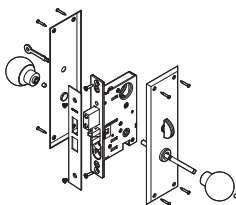


HOW TO ORDER

WHAT YOU NEED:	PART # EXAMPLE	PAGE #
Knob or Lever – pair Minus Rose (.MR)	5041.056.MR	34
Passage Rose* – pair (no suffix)	5006.056	51
Emergency Release Trim –	0404.056	71
Turn Piece	6756.056	69
Mortise Lock, 2.5" Backset (Handled)	6315.056.L	154
Spindle* – 4"	0510.004	66

*See Spindle Chart to confirm spindle model needed

Mortise Lock w/ Escutcheon Plate



HOW TO ORDER

WHAT YOU NEED:	PART # EXAMPLE	PAGE #
Knob or Lever – pair Minus Rose (.MR)	5041.056.MR	34
Escutcheon Plate, Exterior	6794.056.KE	127
Escutcheon Plate, Interior	6794.056.KT	127
Mortise Lock, 2.5" Backset	6315.056.L	154
Spindle* – 4"	0511.004	66

*See Spindle Chart to confirm spindle model needed

ASSUMED FOR EXAMPLES:

Backset – 2.375"
Door thickness – 1.375"

NOTE:

for PRE-DRILLED DOORS, Rose/Escutcheon must be at least 2.625" diameter/wide to cover bore hole

*See Spindle Chart for length needed

STEP 1

PICK YOUR HANDLESET TRIM, W/ KNOB OR LEVER: (SEE PAGE 119-147)

STEP 2

PICK YOUR MORTISE BOX

	Suffix*	Minus Strike*
Right hand	.R	.RDT
Left hand	.L	.LDT
Right hand Reverse bevel	.RR	.RRDT
Left hand Reverse bevel	.LR	.LRDT
Right hand Lever Strength	.RLS	.RLSDT
Left hand Lever Strength	.LLS	.LLSDT
Right hand Reverse bevel Lever Strength	.RRLS	.RRLSDT
Left hand Reverse bevel Lever Strength	.LRLS	.LRLSDT
Right hand Reverse bevel Lever Strength with 1" Front	.RRB1	.RRB1DT
Left hand Reverse bevel Lever Strength with 1" Front	.LRB1	.LRB1DT

Entrance Function Mortise Locks	003, 031, 033, 044, 050 055, 056, 060, 076, 102 112, 190, 260
Lock with strike	\$504
Lock without strike	\$460

Backset	Door Thickness	Function	Mortise Box	HANDLESET X KNOB		HANDLESET X LEVER		KNOB X KNOB	LEVER X LEVER
				Handing	Part Number	Handing	Part Number	Part Number	Part Number
2.75"	1.75" and up	Residential Entrance	6020	R	6020.xxx.R	RLS	6020.xxx.RLS	6001.xxx.R	6001.xxx.RLS
				L	6020.xxx.L	LLS	6020.xxx.LLS	6001.xxx.L	6001.xxx.LLS
				RR	6020.xxx.RR	RRLS	6020.xxx.RRLS	6001.xxx.RR	6001.xxx.RRLS
				LR	6020.xxx.LR	LRLS	6020.xxx.LRLS	6001.xxx.LR	6001.xxx.LRLS
2.75"	1.75" and up	Residential Entrance	6021	R	6021.xxx.R	RLS	6021.xxx.RLS	6075.xxx.R	6075.xxx.RLS
				L	6021.xxx.L	LLS	6021.xxx.LLS	6075.xxx.L	6075.xxx.LLS
		Emergency Egress		RR	6021.xxx.RR	RRLS	6021.xxx.RRLS	6075.xxx.RR	6075.xxx.RRLS
				LR	6021.xxx.LR	LRLS	6021.xxx.LRLS	6075.xxx.LR	6075.xxx.LRLS
2.75"	1.75" and up	Entrance Back-to-Back	6025	-	-	-	-	-	
2.5"	1.375/1.75 and up	Residential Entrance	6320	R	6320.xxx.R	RLS	6320.xxx.RLS	6301.xxx.R	6301.xxx.RLS
				L	6320.xxx.L	LLS	6320.xxx.LLS	6301.xxx.L	6301.xxx.LLS
				RR	6320.xxx.RR	RRLS	6320.xxx.RRLS	6301.xxx.RR	6301.xxx.RRLS
				LR	6320.xxx.LR	LRLS	6320.xxx.LRLS	6301.xxx.LR	6301.xxx.LRLS
2.5"	1.375/1.75 and up	Residential Entrance	6321	R	6321.xxx.R	RLS	6321.xxx.RLS	6375.xxx.R	6375.xxx.RLS
				L	6321.xxx.L	LLS	6321.xxx.LLS	6375.xxx.L	6375.xxx.LLS
		Emergency Egress		RR	6321.xxx.RR	RRLS	6321.xxx.RRLS	6375.xxx.RR	6375.xxx.RRLS
				LR	6321.xxx.LR	LRLS	6321.xxx.LRLS	6375.xxx.LR	6375.xxx.LRLS
2.5"	1.375/1.75 and up	Entrance Back-to-Back	6325	-	-	-	-	-	

STEP 3

PICK YOUR CYLINDER (SEE INSIDE FLAP FOR CYLINDER TABLE)

IF YOUR DOOR IS NOT 1.75" THICK, ALSO REQUIRED;

STEP 4

SPINDLE (SEE INSIDE FLAP FOR CHART)

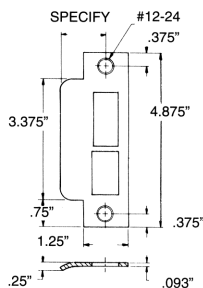
STEP 5

THICK DOOR KIT (DOORS OVER 1.75: AND UP TO 2.25" THICK, SEE PAGE 162)

STEP 6

EXTENDED LIP STRIKE (SEE PAGE 157)

6037, 6038, 6039
6338, 6339



Lip to Center length determined by the following formula:
 Door thickness ÷ 2 + .375" (10mm) = Lip to Center length
 Round to closest size

Item #	Function	003, 031, 033 044, 050, 055, 056 060, 076, 102, 112, 190, 260
6037.xxx.XXXX	2.75" backset latch, deadbolt, aux latch	
6038.xxx.XXXX	2.75" backset latch only	
6039.xxx.XXXX	2.75" backset latch, deadbolt	\$95
6338.xxx.XXXX	1.5," 2," 2.5" backset latch only	
6339.xxx.XXXX	1.5," 2," 2.5" backset latch, deadbolt	

.XXXX indicates Extended Lip to Center size = .R158, .L158, .R178, .L178, .R214, .L214, .R300, .L300

6037, 6038, 6039, 6338, 6339.xxx — EXTENDED LIP STRIKES (HANDED) — Page 162

- Use with locks installed on special door/frame conditions
 - Supplied with a curved lip only
 - ALWAYS SPECIFY HAND OF DOOR AND REQUIRED LENGTH
 - **Note:** Reverse bevel doors use opposite hand for strike selection (ie. Right hand reverse bevel use left hand strike.)
 - Lip to Center lengths:
 - .R158 or .L158 – 1.625" (41mm)
 - .R178 or .L178 – 1.875" (48mm)
 - .R214 or .L214 – 2.25" (57mm)
 - .R300 or .L300 – 3" (76mm)
- *Strikes NOT available in Distressed finishes, non-distressed equivalent 402=102**

KNOBS & LEVERS | KNOBS

5000 Baltimore (2") w/ 5048 Rose



5083 Baltimore (2 1/2") w/ 5048 Rose



5011 Knob w/ 5058 Rose



5013 Edinburgh w/ 5021 Rose



5015 Classic Knob with 5048 Rose



5020 Colonial Knob w/ 5048 Rose



5023 Knob w/ R016 Rose



5024 Knob w/ R030 Rose



5025 Egg Knob w/ 5048 Rose



5030 Knob w/ 5048 Rose



5041 Knob w/ 5046 Rose



5054 Minneapolis Knurled (2 1/8") w/ 5046 Rose



5055 Minneapolis (2 1/8") w/ 5046 Rose



5079 Minneapolis (2 3/8") w/ 5046 Rose



5057 Knob w/ 5048 Rose



5064 Knob w/ 5004 Rose



5066 Knob w/ 5078 Rose



5087 Nashville (2") w/ 5070 Rose



5068 Nashville Knob (2 3/8") w/ 5070 Rose



5088 Nashville Knob (2 3/8") w/ 5070 Rose



5069 Knob w/ 5076 Rose



5073 Knob w/ 5046 Rose



5077 Bethpage Knob w/ R027 Rose



5080 Fillmore Knob w/ 5048 Rose



K007 Hollywood Hills Knob w/ R050 Rose



K008 Hollywood Hills Knob w/ R050 Rose



K009 Hollywood Hills Knob w/ R050 Rose



K012 Tulip Knob w/ 5078 Rose



K013 Tulip Knob w/ 5076 Rose



KNOBS & LEVERS | LEVERS

5101 Lever w/ 5002 Rose



5103 Lever w/ 5048 Rose



5104 Lever w/ 5004 Rose



5105 Lever w/ 5046 Rose



5106 Lever w/ 5048 Rose



5108 Lever w/ 5048 Rose



5112 Lever w/ 5075 Rose



5113 Lever w/ 5078 Rose



5116 Lever w/ 5070 Rose



5118 Lever w/ 5076 Rose



5121 Lever w/ R012 Rose



5122 Edinburgh w/ 5021 Rose



5125 Lever w/ 5048 Rose



5137 Lever w/ 5046 Rose



5138 Lever w/ 5047 Rose



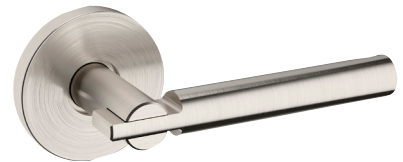
5141 Lever w/ R033 Rose



5152 Lever w/ 5048 Rose



5161 Lever w/ 5046 Rose



5162 Minneapolis w/ R017 Rose



5164 Houston Lever w/ 5046 Rose



5165 w/ 5046 Rose



5166 Lever w/ 5046 Rose



5167 Lever



5173 Lever w/ 5046 Rose



5190 Lever w/ R017 Rose



5445V Classic Lever w/ 5048 Rose



5447V Bethpage Lever w/ R027 Rose



5452V Bevertail Lever w/ R030 Rose



5455V Wave Lever w/ 5048 Rose



5485V Soho Lever w/ R026 Rose



L015 Lever w/ R016 Rose



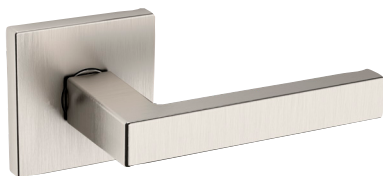
L021 Lever w/ R017 Rose



L022 Lever w/ R017 Rose



L023 Lever w/ R017 Rose



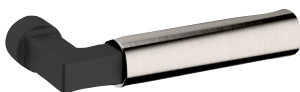
L024 Lever w/ R046 Rose



L029 Gramercy Lever w/ R017 Rose



L029 Gramercy Mixed Metal Lever



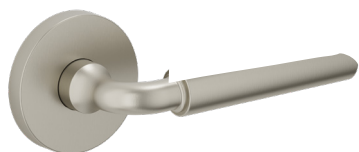
L030 Knurled Gramercy Lever w/ R017 Rose



L030 Gramercy Knurled Mixed Metal Lever



L031 Gramercy Curved Lever w/ 5046 Rose



L033 Briarcrest Lever w/ 5070 Rose



L034 Nashville Lever w/ 5078 Rose

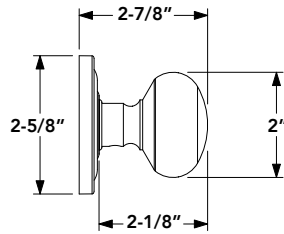




KNOBS & LEVERS

5000 Baltimore Knob (2")

Pre-Configured w/ 5048 Rose 



A La Carte



Pre-Configured

Finish: 003, 031, 033, 044, 055, 056, 076, 102, 112, 190, 260

Item #	Description	Price
5000.xxx.FD	Full Dummy	\$324
5000.xxx.IDM	Half Dummy	\$162
5000.xxx.PASS	Passage	\$405
5000.xxx.PRIV	Privacy	

NOTE: Compatible with 1 3/8" and 1 3/4" thick doors. QUICKSHIP PASS and PRIV sets shipped after 2/1/2025 include a 2 3/8" and 2 3/4" adjustable backset latch, full lip strike, t-strike, universal dust box, and pre-bore adaptor. QUICKSHIP LEGACY PASS and PRIV functions include a 2 3/8" backset latch and a full lip strike. See 2 3/4" latch options on page 64. See T-Strike options on page 67.

A La Carte

Finish: 003, 031, 033, 044, 050, 055, 056, 060, 076, 102, 112, 190, 260, 402

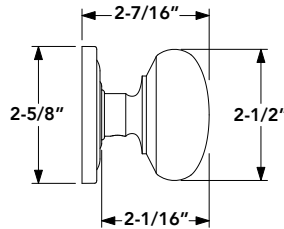
Item #	Description	Wt.	Price
5000.xxx.MR	Minus Roses – pair	1.8	\$262
5000.xxx.IMR	Individual Minus Rose – half pair	0.9	\$143
5000.xxx.MRPN	Minus Roses – pair (PINNED)	1.8	\$341

NOTE: Recommend pairing this knob with our 6503.009 adaptor for 2 1/8" pre-bore doors, or 5086.009 adaptor for 1 1/2" small bore doors. Both are found on page 66. A La Carte Rosettes are found on pages 54-63, latches are on page 64.

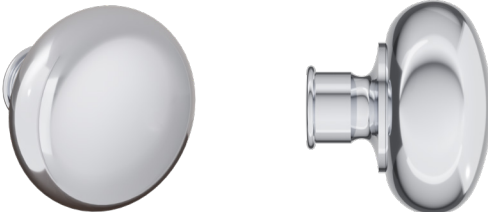
5083 Baltimore Knob (2 1/2")

Pre-Configured w/ 5048 Rose 

NEW



A La Carte



Pre-Configured

Finish: 003, 031, 033, 044, 055, 056, 076, 102, 112, 190, 260

Item #	Description	Price
5083.xxx.FD	Full Dummy	\$346
5083.xxx.IDM	Half Dummy	\$173
5083.xxx.PASS	Passage	\$433
5083.xxx.PRIV	Privacy	

NOTE: Compatible with 1 3/8" and 1 3/4" thick doors. QUICKSHIP PASS and PRIV sets shipped after 2/1/2025 include a 2 3/8" and 2 3/4" adjustable backset latch, full lip strike, t-strike, universal dust box, and pre-bore adaptor. QUICKSHIP LEGACY PASS and PRIV functions include a 2 3/8" backset latch and a full lip strike. See 2 3/4" latch options on page 64. See T-Strike options on page 67.

A La Carte

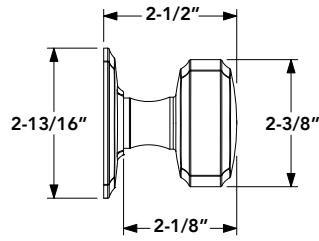
Finish: 003, 031, 033, 044, 050, 055, 056, 060, 076, 102, 112, 190, 260, 402

Item #	Description	Wt.	Price
5083.xxx.MR	Minus Roses – pair	2.5	\$290
5083.xxx.IMR	Individual Minus Rose – half pair	1.5	\$145
5083.xxx.MRPN	Minus Roses – pair (PINNED)	2.5	\$377

NOTE: Recommend pairing this knob with our 6503.009 adaptor for 2 1/8" pre-bore doors, or 5086.009 adaptor for 1 1/2" small bore doors. Both are found on page 66. A La Carte Rosettes are found on pages 54-63, latches are on page 64.

5011 Knob

Pre-Configured w/ 5058 Rose 



A La Carte



Pre-Configured

Finish: **003, 031, 033, 044, 055, 056, 076, 102, 112, 190, 260**

Item #	Description	Price
5011.xxx.FD	Full Dummy	\$324
5011.xxx.IDM	Half Dummy	\$162
5011.xxx.PASS	Passage	\$405
5011.xxx.PRIV	Privacy	

NOTE: Compatible with 1 3/8" and 1 3/4" thick doors. QUICKSHIP PASS and PRIV sets shipped after 2/1/2025 include a 2 3/8" and 2 3/4" adjustable backset latch, full lip strike, t-strike, universal dust box, and pre-bore adaptor. QUICKSHIP LEGACY PASS and PRIV functions include a 2 3/8" backset latch and a full lip strike. See 2 3/4" latch options on page 64. See T-Strike options on page 67.

A La Carte

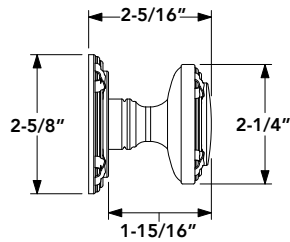
Finish: **003, 031, 033, 044, 050, 055, 056, 060, 076, 102, 112, 190, 260, 402**

Item #	Description	Wt.	Price
5011.xxx.MR	Minus Roses – pair	1.1	\$262
5011.xxx.IMR	Individual Minus Rose – half pair	0.55	\$131
5011.xxx.MRPN	Minus Roses – pair (PINNED)	1.1	\$341

NOTE: Recommend pairing this knob with our 6503.009 adaptor for 2 1/8" pre-bore doors, or 5086.009 adaptor for 1 1/2" small bore doors. Both are found on page 66. **A La Carte Rosettes are found on pages 54-63, latches are on page 64.**

5013 Edinburgh Knob

Pre-Configured w/ 5021 Rose 



A La Carte



Pre-Configured

Finish: **003, 031, 033, 044, 055, 056, 076, 102, 112, 190, 260**

Item #	Description	Price
5013.xxx.FD	Full Dummy	\$324
5013.xxx.IDM	Half Dummy	\$162
5013.xxx.PASS	Passage	\$405
5013.xxx.PRIV	Privacy	

NOTE: Compatible with 1 3/8" and 1 3/4" thick doors. QUICKSHIP PASS and PRIV sets shipped after 2/1/2025 include a 2 3/8" and 2 3/4" adjustable backset latch, full lip strike, t-strike, universal dust box, and pre-bore adaptor. QUICKSHIP LEGACY PASS and PRIV functions include a 2 3/8" backset latch and a full lip strike. See 2 3/4" latch options on page 64. See T-Strike options on page 67.

A La Carte

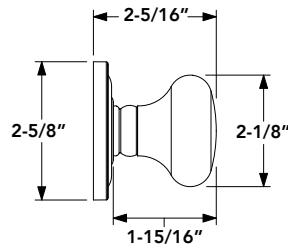
Finish: **003, 031, 033, 044, 050, 055, 056, 060, 076, 102, 112, 190, 260, 402**

Item #	Description	Wt.	Price
5013.xxx.MR	Minus Roses – pair	2.1	\$262
5013.xxx.IMR	Individual Minus Rose – half pair	1.1	\$131
5013.xxx.MRPN	Minus Roses – pair (PINNED)	2.1	\$341

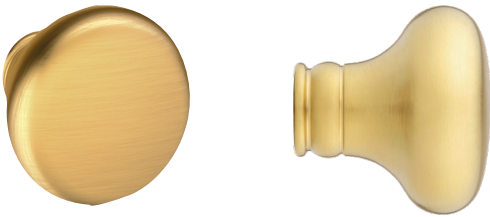
NOTE: Recommend pairing this knob with our 6503.009 adaptor for 2 1/8" pre-bore doors, or 5086.009 adaptor for 1 1/2" small bore doors. Both are found on page 66. **A La Carte Rosettes are found on pages 54-63, latches are on page 64.**

5015 Classic Knob

Pre-Configured w/ 5048 Rose 



A La Carte



Pre-Configured

Finish: 003, 031, 033, 044, 055, 056, 076, 102, 112, 190, 260

Item #	Description	Price
5015.xxx.FD	Full Dummy	\$274
5015.xxx.IDM	Half Dummy	\$137
5015.xxx.PASS	Passage	\$343
5015.xxx.PRIV	Privacy	\$343

NOTE: Compatible with 1 3/8" and 1 3/4" thick doors. QUICKSHIP PASS and PRIV sets shipped after 2/1/2025 include a 2 3/8" and 2 3/4" adjustable backset latch, full lip strike, t-strike, universal dust box, and pre-bore adaptor. QUICKSHIP LEGACY PASS and PRIV functions include a 2 3/8" backset latch and a full lip strike. See 2 3/4" latch options on page 64. See T-Strike options on page 67.

A La Carte

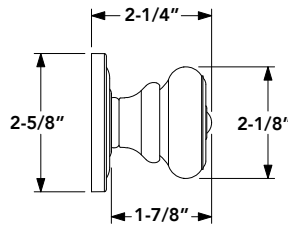
Finish: 003, 031, 033, 044, 050, 055, 056, 060, 076, 102, 112, 190, 260, 402

Item #	Description	Wt.	Price
5015.xxx.MR	Minus Roses – pair	1.8	\$210
5015.xxx.IMR	Individual Minus Rose – half pair	0.9	\$105
5015.xxx.MRPN	Minus Roses – pair (PINNED)	1.8	\$273

NOTE: Recommend pairing this knob with our 6503.009 adaptor for 2 1/8" pre-bore doors, or 5086.009 adaptor for 1 1/2" small bore doors. Both are found on page 66. **A La Carte Rosettes are found on pages 54-63, latches are on page 64.**

5020 Colonial Knob

Pre-Configured w/ 5048 Rose



A La Carte



Pre-Configured

Finish: 003, 031, 033, 044, 055, 056, 076, 102, 112, 190, 260

Item #	Description	Price
5020.xxx.FD	Full Dummy	\$274
5020.xxx.IDM	Half Dummy	\$137
5020.xxx.PASS	Passage	\$343
5020.xxx.PRIV	Privacy	\$343

NOTE: Compatible with 1 3/8" and 1 3/4" thick doors. QUICKSHIP PASS and PRIV sets shipped after 2/1/2025 include a 2 3/8" and 2 3/4" adjustable backset latch, full lip strike, t-strike, universal dust box, and pre-bore adaptor. QUICKSHIP LEGACY PASS and PRIV functions include a 2 3/8" backset latch and a full lip strike. See 2 3/4" latch options on page 64. See T-Strike options on page 67.

A La Carte

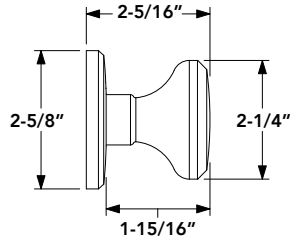
Finish: 003, 031, 033, 044, 050, 055, 056, 060, 076, 102, 112, 190, 260, 402

Item #	Description	Wt.	Price
5020.xxx.MR	Minus Roses – pair	1.8	\$210
5020.xxx.IMR	Individual Minus Rose – half pair	0.9	\$105
5020.xxx.MRPN	Minus Roses – pair (PINNED)	1.8	\$273

NOTE: Recommend pairing this knob with our 6503.009 adaptor for 2 1/8" pre-bore doors, or 5086.009 adaptor for 1 1/2" small bore doors. Both are found on page 66. **A La Carte Rosettes are found on pages 54-63, latches are on page 64.**

5023 Knob

Pre-Configured w/ R016 Rose 



A La Carte



Pre-Configured

Finish: 003, 031, 033, 044, 055, 056, 076, 102, 112, 190, 260

Item #	Description	Price
5023.xxx.FD	Full Dummy	\$304
5023.xxx.IDM	Half Dummy	\$152
5023.xxx.PASS	Passage	\$380
5023.xxx.PRIV	Privacy	

NOTE: Compatible with 1 3/8" and 1 3/4" thick doors. QUICKSHIP PASS and PRIV sets shipped after 2/1/2025 include a 2 3/8" and 2 3/4" adjustable backset latch, full lip strike, t-strike, universal dust box, and pre-bore adaptor. QUICKSHIP LEGACY PASS and PRIV functions include a 2 3/8" backset latch and a full lip strike. See 2 3/4" latch options on page 64. See T-Strike options on page 67.

A La Carte

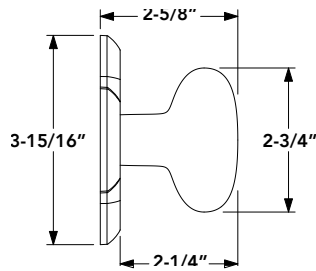
Finish: 003, 031, 033, 044, 050, 055, 056, 060, 076, 102, 112, 190, 260, 402

Item #	Description	Wt.	Price
5023.xxx.MR	Minus Roses – pair	1.8	\$230
5023.xxx.IMR	Individual Minus Rose – half pair	0.9	\$115
5023.xxx.MRPN	Minus Roses – pair (PINNED)	1.8	\$299

NOTE: Recommend pairing this knob with our 6503.009 adaptor for 2 1/8" pre-bore doors, or 5086.009 adaptor for 1 1/2" small bore doors. Both are found on page 66. **A La Carte Rosettes are found on pages 54-63, latches are on page 64.**

5024 Knob

Pre-Configured w/ R030 Rose 



A La Carte



Pre-Configured

Finish: 102, 112, 190, 402

Item #	Description	Price
5024.xxx.FD	Full Dummy	\$274
5024.xxx.IDM	Half Dummy	\$137
5024.xxx.PASS	Passage	\$343
5024.xxx.PRIV	Privacy	

NOTE: Compatible with 1 3/8" and 1 3/4" thick doors. QUICKSHIP PASS and PRIV sets shipped after 2/1/2025 include a 2 3/8" and 2 3/4" adjustable backset latch, full lip strike, t-strike, universal dust box, and pre-bore adaptor. QUICKSHIP LEGACY PASS and PRIV functions include a 2 3/8" backset latch and a full lip strike. See 2 3/4" latch options on page 64. See T-Strike options on page 67.

A La Carte

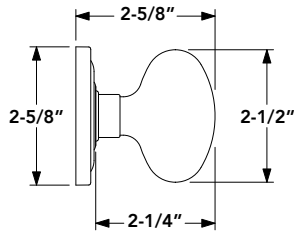
Finish: 003, 031, 033, 044, 050, 055, 056, 060, 076, 102, 112, 190, 260, 402

Item #	Description	Wt.	Price
5024.xxx.MR	Minus Roses – pair	1.8	\$210
5024.xxx.IMR	Minus Roses - half pair	0.9	\$105
5024.xxx.MRPN	Minus Roses - pair (PINNED)		\$273

NOTE: Recommend pairing this knob with our 6503.009 adaptor for 2 1/8" pre-bore doors, or 5086.009 adaptor for 1 1/2" small bore doors. Both are found on page 66. **A La Carte Rosettes are found on pages 54-63, latches are on page 64.**

5025 Egg Knob

Pre-Configured w/ 5048 Rose



A La Carte



Pre-Configured

Finish: 003, 031, 033, 044, 055, 056, 076, 102, 112, 190, 260

Item #	Description	Price
5025.xxx.FD	Full Dummy	\$274
5025.xxx.IDM	Half Dummy	\$137
5025.xxx.PASS	Passage	\$343
5025.xxx.PRIV	Privacy	

NOTE: Compatible with 1 3/8" and 1 3/4" thick doors. QUICKSHIP PASS and PRIV sets shipped after 2/1/2025 include a 2 3/8" and 2 3/4" adjustable backset latch, full lip strike, t-strike, universal dust box, and pre-bore adaptor. QUICKSHIP LEGACY PASS and PRIV functions include a 2 3/8" backset latch and a full lip strike. See 2 3/4" latch options on page 64. See T-Strike options on page 67.

A La Carte

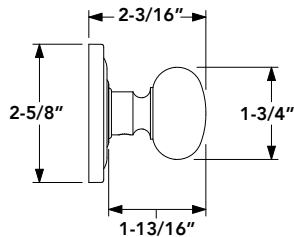
Finish: 003, 031, 033, 044, 050, 055, 056, 060, 076, 102, 112, 190, 260, 402

Item #	Description	Wt.	Price
5025.xxx.MR	Minus Roses – pair	1.8	\$210
5025.xxx.IMR	Individual Minus Rose – half pair	0.9	\$105
5025.xxx.MRPN	Minus Roses – pair (PINNED)	1.8	\$273

NOTE: Recommend pairing this knob with our 6503.009 adaptor for 2 1/8" pre-bore doors, or 5086.009 adaptor for 1 1/2" small bore doors. Both are found on page 66. **A La Carte Rosettes are found on pages 54-63, latches are on page 64.**

5030 Knob

Pre-Configured w/ 5048 Rose



A La Carte



Pre-Configured

Finish: 003, 031, 033, 044, 055, 056, 076, 102, 112, 190, 260

Item #	Description	Price
5030.xxx.FD	Full Dummy	\$324
5030.xxx.IDM	Half Dummy	\$162
5030.xxx.PASS	Passage	\$405
5030.xxx.PRIV	Privacy	

NOTE: Compatible with 1 3/8" and 1 3/4" thick doors. QUICKSHIP PASS and PRIV sets shipped after 2/1/2025 include a 2 3/8" and 2 3/4" adjustable backset latch, full lip strike, t-strike, universal dust box, and pre-bore adaptor. QUICKSHIP LEGACY PASS and PRIV functions include a 2 3/8" backset latch and a full lip strike. See 2 3/4" latch options on page 64. See T-Strike options on page 67.

A La Carte

Finishes: 003, 031, 033, 044, 050, 055, 056, 060, 076, 102, 112, 190, 260, 402

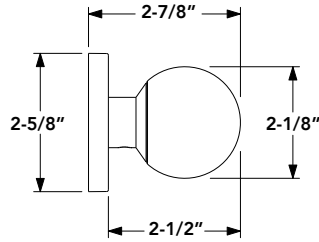
Item #	Description	Wt.	Price
5030.xxx.MR	Minus Roses – pair	1.8	\$262
5030.xxx.IMR	Individual Minus Rose – half pair	0.9	\$131
5030.xxx.MRPN	Minus Roses – pair (PINNED)	1.8	\$341

NOTE: Recommend pairing this knob with our 6503.009 adaptor for 2 1/8" pre-bore doors, or 5086.009 adaptor for 1 1/2" small bore doors. Both are found on page 66. **A La Carte Rosettes are found on pages 54-63, latches are on page 64.**

KNOBS & LEVERS | KNOBS

5041 Knob

Pre-Configured w/ 5046 Rose 



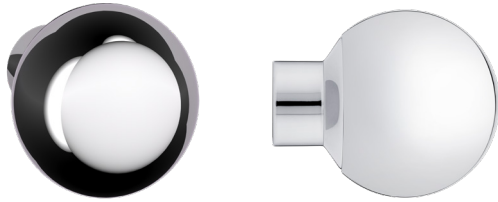
Pre-Configured

Finish: 044, 055, 056, 076, 102, 112, 190, 260

Item #	Description	Price
5041.xxx.FD	Full Dummy	\$274
5041.xxx.IDM	Half Dummy	\$137
5041.xxx.PASS	Passage	\$343
5041.xxx.PRIV	Privacy	

NOTE: Compatible with 1 3/8" and 1 3/4" thick doors. QUICKSHIP PASS and PRIV sets shipped after 2/1/2025 include a 2 3/8" and 2 3/4" adjustable backset latch, full lip strike, t-strike, universal dust box, and pre-bore adaptor. QUICKSHIP LEGACY PASS and PRIV functions include a 2 3/8" backset latch and a full lip strike. See 2 3/4" latch options on page 64. See T-Strike options on page 67.

A La Carte



A La Carte

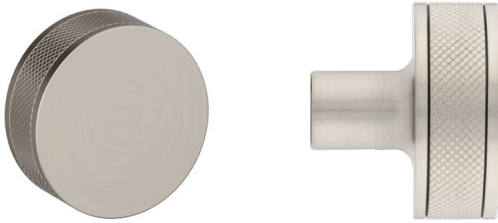
Finish: 003, 031, 033, 044, 050, 055, 056, 060, 076, 102, 112, 190, 260, 402

Item #	Description	Wt.	Price
5041.xxx.MR	Minus Roses – pair	2.4	\$210
5041.xxx.IMR	Individual Minus Rose – half pair	1.2	\$105
5041.xxx.MRPN	Minus Roses – pair (PINNED)	2.4	\$273

NOTE: Recommend pairing this knob with our 6503.009 adaptor for 2 1/8" pre-bore doors, or 5086.009 adaptor for 1 1/2" small bore doors. Both are found on page 66. **A La Carte Rosettes are found on pages 54-63, latches are on page 64.**

5054 Minneapolis Knurled Knob (2 1/8")

A La Carte



A La Carte

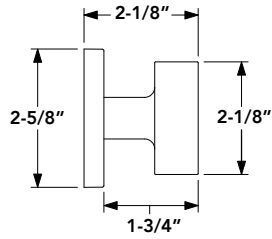
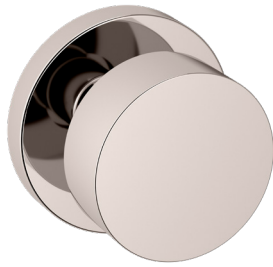
Finish: 003, 031, 033, 044, 050, 055, 056, 060, 076, 102, 112, 190, 260, 402

Item #	Description	Wt.	Price
5054.xxx.MR	Minus Roses - pair	2.0	\$290
5054.xxx.IMR	Individual Minus Rose - half pair	1.0	\$145
5054.xxx.MRPN	Minus Roses – pair (PINNED)	1.9	\$377

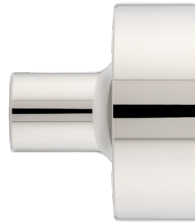
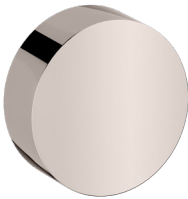
NOTE: Recommend pairing this knob with our 6503.009 adaptor for 2 1/8" pre-bore doors, or 5086.009 adaptor for 1 1/2" small bore doors. Both are found on page 66. **A La Carte Rosettes are found on pages 54-63, latches are on page 64.**

5055 Minneapolis Knob (2 1/8")

Pre-Configured w/ 5046 Rose 



A La Carte



Pre-Configured

Finish: 044, 055, 056, 076, 102, 112, 190, 260

Item #	Description	Price
5055.xxx.FD	Full Dummy	\$324
5055.xxx.IDM	Half Dummy	\$162
5055.xxx.PASS	Passage	\$405
5055.xxx.PRIV	Privacy	

NOTE: Compatible with 1 3/8" and 1 3/4" thick doors. QUICKSHIP PASS and PRIV sets shipped after 2/1/2025 include a 2 3/8" and 2 3/4" adjustable backset latch, full lip strike, t-strike, universal dust box, and pre-bore adaptor. QUICKSHIP LEGACY PASS and PRIV functions include a 2 3/8" backset latch and a full lip strike. See 2 3/4" latch options on page 64. See T-Strike options on page 67.

A La Carte

Finish: 003, 031, 033, 044, 050, 055, 056, 060, 076, 102, 112, 190, 260, 402

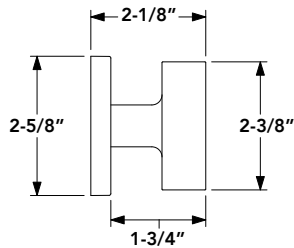
Item #	Description	Wt.	Price
5055.xxx.MR	Minus Roses – pair	1.9	\$262
5055.xxx.IMR	Individual Minus Rose – half pair	1.0	\$131
5055.xxx.MRPN	Minus Roses – pair (PINNED)	1.9	\$341

NOTE: Recommend pairing this knob with our 6503.009 adaptor for 2 1/8" pre-bore doors, or 5086.009 adaptor for 1 1/2" small bore doors. Both are found on page 66. **A La Carte Rosettes are found on pages 54-63, latches are on page 64.**

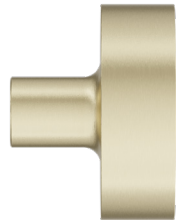
5079 Minneapolis Knob (2 3/8")

Pre-Configured w/ 5046 Rose

NEW



A La Carte



Pre-Configured

Finish: 044, 055, 056, 076, 102, 112, 190, 260

Item #	Description	Price
5079.xxx.FD	Full Dummy	\$346
5079.xxx.IDM	Half Dummy	\$176
5079.xxx.PASS	Passage	\$433
5079.xxx.PRIV	Privacy	

NOTE: Compatible with 1 3/8" and 1 3/4" thick doors. QUICKSHIP PASS and PRIV sets shipped after 2/1/2025 include a 2 3/8" and 2 3/4" adjustable backset latch, full lip strike, t-strike, universal dust box, and pre-bore adaptor. QUICKSHIP LEGACY PASS and PRIV functions include a 2 3/8" backset latch and a full lip strike. See 2 3/4" latch options on page 64. See T-Strike options on page 67.

A La Carte

Finish: 003, 031, 033, 044, 050, 055, 056, 060, 076, 102, 112, 190, 260, 402

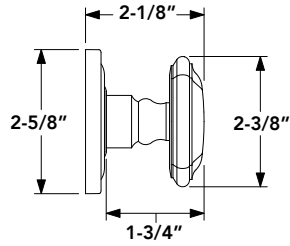
Item #	Description	Wt.	Price
5079.xxx.MR	Minus Roses – pair	2.5	\$290
5079.xxx.IMR	Individual Minus Rose – half pair	1.6	\$145
5079.xxx.MRPN	Minus Roses – pair (PINNED)	2.5	\$377

NOTE: Recommend pairing this knob with our 6503.009 adaptor for 2 1/8" pre-bore doors, or 5086.009 adaptor for 1 1/2" small bore doors. Both are found on page 66. **A La Carte Rosettes are found on pages 54-63, latches are on page 64.**

KNOBS & LEVERS | KNOBS

5057 Knob

Pre-Configured w/ 5046 Rose 



A La Carte



Pre-Configured

Finish: 003, 031, 033, 044, 055, 056, 076, 102, 112, 190, 260

Item #	Description	Price
5057.xxx.FD	Full Dummy	\$324
5057.xxx.IDM	Half Dummy	\$162
5057.xxx.PASS	Passage	\$405
5057.xxx.PRIV	Privacy	\$405

NOTE: Compatible with 1 3/8" and 1 3/4" thick doors. QUICKSHIP PASS and PRIV sets shipped after 2/1/2025 include a 2 3/8" and 2 3/4" adjustable backset latch, full lip strike, t-strike, universal dust box, and pre-bore adaptor. QUICKSHIP LEGACY PASS and PRIV functions include a 2 3/8" backset latch and a full lip strike. See 2 3/4" latch options on page 64. See T-Strike options on page 67.

A La Carte

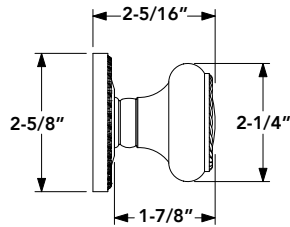
Finish: 003, 031, 033, 044, 050, 055, 056, 060, 076, 102, 112, 190, 260, 402

Item #	Description	Wt.	Price
5057.xxx.MR	Minus Roses – pair	1.4	\$262
5057.xxx.IMR	Individual Minus Rose – half pair	0.7	\$131
5057.xxx.MRPN	Minus Roses – pair (PINNED)	1.4	\$341

NOTE: Recommend pairing this knob with our 6503.009 adaptor for 2 1/8" pre-bore doors, or 5086.009 adaptor for 1 1/2" small bore doors. Both are found on page 66. A La Carte Rosettes are found on pages 54-63, latches are on page 64.

5064 Bristol Knob

Pre-Configured w/ 5004 Rose 



A La Carte



Pre-Configured

Finish: 003, 031, 033, 044, 055, 056, 076, 102, 112, 190, 260

Item #	Description	Price
5064.xxx.FD	Full Dummy	\$324
5064.xxx.IDM	Half Dummy	\$162
5064.xxx.PASS	Passage	\$405
5064.xxx.PRIV	Privacy	\$405

NOTE: Compatible with 1 3/8" and 1 3/4" thick doors. QUICKSHIP PASS and PRIV sets shipped after 2/1/2025 include a 2 3/8" and 2 3/4" adjustable backset latch, full lip strike, t-strike, universal dust box, and pre-bore adaptor. QUICKSHIP LEGACY PASS and PRIV functions include a 2 3/8" backset latch and a full lip strike. See 2 3/4" latch options on page 64. See T-Strike options on page 67.

A La Carte

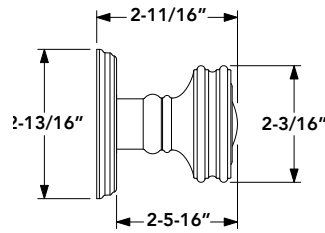
Finishes: 003, 031, 033, 044, 050, 055, 056, 060, 076, 102, 112, 190, 260, 402

Item #	Description	Wt.	Price
5064.xxx.MR	Minus Roses – pair	1.9	\$262
5064.xxx.IMR	Individual Minus Rose – half pair	1.0	\$131
5064.xxx.MRPN	Minus Roses – pair (PINNED)	1.9	\$341

NOTE: Recommend pairing this knob with our 6503.009 adaptor for 2 1/8" pre-bore doors, or 5086.009 adaptor for 1 1/2" small bore doors. Both are found on page 66. A La Carte Rosettes are found on pages 54-63, latches are on page 64.

5066 Knob

Pre-Configured w/ 5078 Rose 



A La Carte



Pre-Configured

Finish: 003, 031, 033, 044, 055, 056, 076, 102, 112, 190, 260

Item #	Description	Price
5066.xxx.FD	Full Dummy	\$324
5066.xxx.IDM	Half Dummy	\$162
5066.xxx.PASS	Passage	\$405
5066.xxx.PRIV	Privacy	

NOTE: Compatible with 1 3/8" and 1 3/4" thick doors. QUICKSHIP PASS and PRIV sets shipped after 2/1/2025 include a 2 3/8" and 2 3/4" adjustable backset latch, full lip strike, t-strike, universal dust box, and pre-bore adaptor. QUICKSHIP LEGACY PASS and PRIV functions include a 2 3/8" backset latch and a full lip strike. See 2 3/4" latch options on page 64. See T-Strike options on page 67.

A La Carte

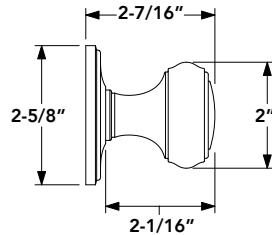
Finish: 003, 031, 033, 044, 050, 055, 056, 060, 076, 102, 112, 190, 260, 402

Item #	Description	Wt.	Price
5066.xxx.MR	Minus Roses – pair	1.1	\$262
5066.xxx.IMR	Individual Minus Rose – half pair	0.55	\$131
5066.xxx.MRPN	Minus Roses – pair (PINNED)	1.1	\$341

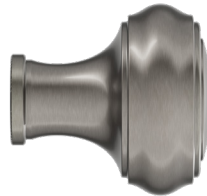
NOTE: Recommend pairing this knob with our 6503.009 adaptor for 2 1/8" pre-bore doors, or 5086.009 adaptor for 1 1/2" small bore doors. Both are found on page 66. **A La Carte Rosettes are found on pages 54-63, latches are on page 64.**

5087 Nashville Knob (2")

Pre-Configured w/ 5070 Rose 



A La Carte



NEW

Pre-Configured

Finish: 003, 031, 033, 044, 055, 056, 076, 102, 112, 190, 260

Item #	Description	Price
5087.xxx.FD	Full Dummy	\$304
5087.xxx.IDM	Half Dummy	\$152
5087.xxx.PASS	Passage	\$380
5087.xxx.PRIV	Privacy	

NOTE: Compatible with 1 3/8" and 1 3/4" thick doors. QUICKSHIP PASS and PRIV sets shipped after 2/1/2025 include a 2 3/8" and 2 3/4" adjustable backset latch, full lip strike, t-strike, universal dust box, and pre-bore adaptor. QUICKSHIP LEGACY PASS and PRIV functions include a 2 3/8" backset latch and a full lip strike. See 2 3/4" latch options on page 64. See T-Strike options on page 67.

A La Carte

Finish: 003, 031, 033, 044, 050, 055, 056, 060, 076, 102, 112, 190, 260, 402

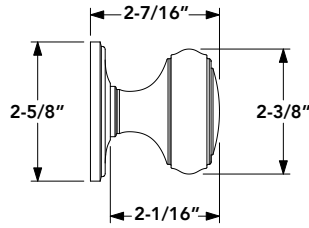
Item #	Description	Wt.	Price
5087.xxx.MR	Minus Roses – pair	1.9	\$230
5087.xxx.IMR	Individual Minus Rose – half pair	.9	\$115
5087.xxx.MRPN	Minus Roses – pair (PINNED)	1.9	\$299

NOTE: Recommend pairing this knob with our 6503.009 adaptor for 2 1/8" pre-bore doors, or 5086.009 adaptor for 1 1/2" small bore doors. Both are found on page 66. **A La Carte Rosettes are found on pages 54-63, latches are on page 64.**

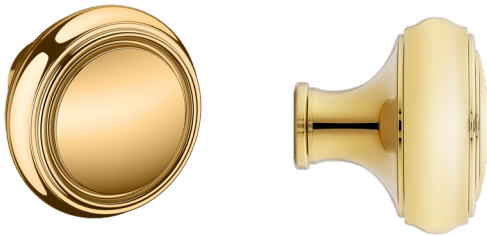
KNOBS & LEVERS | KNOBS

5068 Nashville Knob (2 3/8")

Pre-Configured w/ 5070 Rose 



A La Carte



Pre-Configured

Finish: 003, 031, 033, 044, 055, 056, 076, 102, 112, 190, 260

Item #	Description	Price
5068.xxx.FD	Full Dummy	\$324
5068.xxx.IDM	Half Dummy	\$162
5068.xxx.PASS	Passage	\$405
5068.xxx.PRIV	Privacy	

NOTE: Compatible with 1 3/8" and 1 3/4" thick doors. QUICKSHIP PASS and PRIV sets shipped after 2/1/2025 include a 2 3/8" and 2 3/4" adjustable backset latch, full lip strike, t-strike, universal dust box, and pre-bore adaptor. QUICKSHIP LEGACY PASS and PRIV functions include a 2 3/8" backset latch and a full lip strike. See 2 3/4" latch options on page 64. See T-Strike options on page 67.

A La Carte

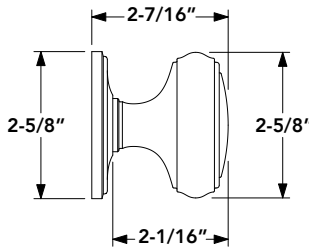
Finish: 003, 031, 033, 044, 050, 055, 056, 060, 076, 102, 112, 190, 260, 402

Item #	Description	Wt.	Price
5068.xxx.MR	Minus Roses – pair	1.1	\$262
5068.xxx.IMR	Individual Minus Rose – half pair	0.55	\$131
5068.xxx.MRPN	Minus Roses – pair (PINNED)	2.3	\$341

NOTE: Recommend pairing this knob with our 6503.009 adaptor for 2 1/8" pre-bore doors, or 5086.009 adaptor for 1 1/2" small bore doors. Both are found on page 66. **A La Carte Rosettes are found on pages 54-63, latches are on page 64.**

5088 Nashville Knob (2 5/8")

Pre-Configured w/ 5070 Rose 



A La Carte



NEW

Pre-Configured

Finish: 003, 031, 033, 044, 055, 056, 076, 102, 112, 190, 260

Item #	Description	Price
5088.xxx.FD	Full Dummy	\$346
5088.xxx.IDM	Half Dummy	\$173
5088.xxx.PASS	Passage	\$433
5088.xxx.PRIV	Privacy	

NOTE: Compatible with 1 3/8" and 1 3/4" thick doors. QUICKSHIP PASS and PRIV sets shipped after 2/1/2025 include a 2 3/8" and 2 3/4" adjustable backset latch, full lip strike, t-strike, universal dust box, and pre-bore adaptor. QUICKSHIP LEGACY PASS and PRIV functions include a 2 3/8" backset latch and a full lip strike. See 2 3/4" latch options on page 64. See T-Strike options on page 67.

A La Carte

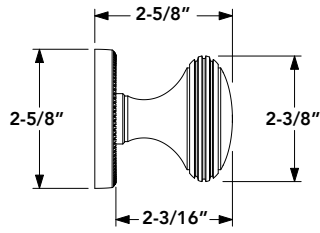
Finish: 003, 031, 033, 044, 050, 055, 056, 060, 076, 102, 112, 190, 260, 402

Item #	Description	Wt.	Price
5088.xxx.MR	Minus Roses – pair	2.5	\$290
5088.xxx.IMR	Individual Minus Rose – half pair	1.6	\$145
5088.xxx.MRPN	Minus Roses – pair (PINNED)	2.5	\$377

NOTE: Recommend pairing this knob with our 6503.009 adaptor for 2 1/8" pre-bore doors, or 5086.009 adaptor for 1 1/2" small bore doors. Both are found on page 66. **A La Carte Rosettes are found on pages 54-63, latches are on page 64.**

5069 Knob

Pre-Configured w/ 5076 Rose 



A La Carte



Pre-Configured

Finish: 003, 031, 033, 044, 055, 056, 076, 102, 112, 190, 260

Item #	Description	Price
5069.xxx.FD	Full Dummy	\$324
5069.xxx.IDM	Half Dummy	\$162
5069.xxx.PASS	Passage	\$405
5069.xxx.PRIV	Privacy	

NOTE: Compatible with 1 3/8" and 1 3/4" thick doors. QUICKSHIP PASS and PRIV sets shipped after 2/1/2025 include a 2 3/8" and 2 3/4" adjustable backset latch, full lip strike, t-strike, universal dust box, and pre-bore adaptor. QUICKSHIP LEGACY PASS and PRIV functions include a 2 3/8" backset latch and a full lip strike. See 2 3/4" latch options on page 64. See T-Strike options on page 67.

A La Carte

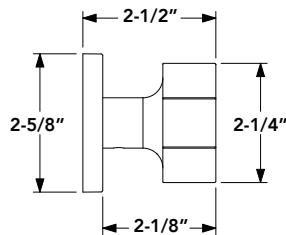
Finish: 003, 031, 033, 044, 050, 055, 056, 060, 076, 102, 112, 190, 260, 402

Item #	Description	Wt.	Price
5069.xxx.MR	Minusz Roses – pair	1.1	\$262
5069.xxx.IMR	Individual Minus Rose – half pair	0.55	\$131
5069.xxx.MRPN	Minus Roses – pair (PINNED)	1.1	\$341

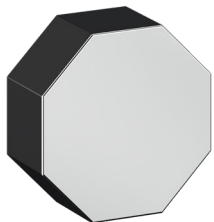
NOTE: Recommend pairing this knob with our 6503.009 adaptor for 2 1/8" pre-bore doors, or 5086.009 adaptor for 1 1/2" small bore doors. Both are found on page 66. **A La Carte Rosettes are found on pages 54-63, latches are on page 64.**

5073 Knob

Pre-Configured w/ 5046 Rose 



A La Carte



Pre-Configured

Finish: 044, 055, 056, 076, 102, 112, 190, 260

Item #	Description	Price
5073.xxx.FD	Full Dummy	\$324
5073.xxx.IDM	Half Dummy	\$162
5073.xxx.PASS	Passage	\$405
5073.xxx.PRIV	Privacy	

NOTE: Compatible with 1 3/8" and 1 3/4" thick doors. QUICKSHIP PASS and PRIV sets shipped after 2/1/2025 include a 2 3/8" and 2 3/4" adjustable backset latch, full lip strike, t-strike, universal dust box, and pre-bore adaptor. QUICKSHIP LEGACY PASS and PRIV functions include a 2 3/8" backset latch and a full lip strike. See 2 3/4" latch options on page 64. See T-Strike options on page 67.

A La Carte

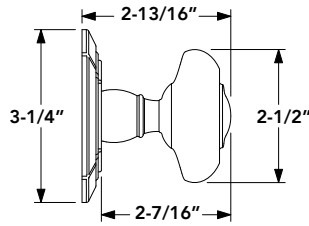
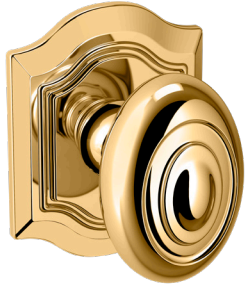
Finish: 003, 031, 033, 044, 050, 055, 056, 060, 076, 102, 112, 190, 260, 402

Item #	Description	Wt.	Price
5073.xxx.MR	Minus Roses – pair	2.3	\$262
5073.xxx.IMR	Individual Minus Rose – half pair	1.2	\$131
5073.xxx.MRPN	Minus Roses – pair (PINNED)	2.3	\$341

NOTE: Recommend pairing this knob with our 6503.009 adaptor for 2 1/8" pre-bore doors, or 5086.009 adaptor for 1 1/2" small bore doors. Both are found on page 66. **A La Carte Rosettes are found on pages 54-63, latches are on page 64.**

5077 Bethpage Knob

Pre-Configured w/ R027 Rose 



A La Carte



Pre-Configured

Finish: 003, 031, 033, 044, 055, 056, 076, 102, 112, 190, 260

Item #	Description	Price
5077.xxx.FD	Full Dummy	\$274
5077.xxx.IDM	Half Dummy	\$137
5077.xxx.PASS	Passage	
5077.xxx.PRIV	Privacy	\$343

NOTE: Compatible with 1 3/8" and 1 3/4" thick doors. QUICKSHIP PASS and PRIV sets shipped after 2/1/2025 include a 2 3/8" and 2 3/4" adjustable backset latch, full lip strike, t-strike, universal dust box, and pre-bore adaptor. QUICKSHIP LEGACY PASS and PRIV functions include a 2 3/8" backset latch and a full lip strike. See 2 3/4" latch options on page 64. See T-Strike options on page 67.

A La Carte

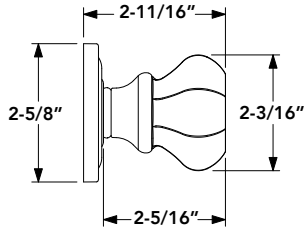
Finish: 003, 031, 033, 044, 050, 055, 056, 060, 076, 102, 112, 190, 260, 402

Item #	Description	Wt.	Price
5077.xxx.MR	Minus Roses – pair	1.8	\$210
5077.xxx.IMR	Minus Rose – half pair	0.4	\$105
5077.xxx.MRPN	Minus Roses – pair (PINNED)		\$273

NOTE: Recommend pairing this knob with our 6503.009 adaptor for 2 1/8" pre-bore doors, or 5086.009 adaptor for 1 1/2" small bore doors. Both are found on page 66. **A La Carte Rosettes are found on pages 54-63, latches are on page 64.**

5080 Filmore Knob

Pre-Configured w/ 5048 Rose 



A La Carte



Pre-Configured

Finish: 030, 044, 055, 102, 112, 150, 190, 260

Item #	Description	Price
5080.xxx.FD	Full Dummy	\$304
5080.xxx.IDM	Half Dummy	\$152
5080.xxx.PASS	Passage	
5080.xxx.PRIV	Privacy	\$380

NOTE: Compatible with 1 3/8" and 1 3/4" thick doors. QUICKSHIP PASS and PRIV sets shipped after 2/1/2025 include a 2 3/8" and 2 3/4" adjustable backset latch, full lip strike, t-strike, universal dust box, and pre-bore adaptor. QUICKSHIP LEGACY PASS and PRIV functions include a 2 3/8" backset latch and a full lip strike. See 2 3/4" latch options on page 64. See T-Strike options on page 67.

A La Carte

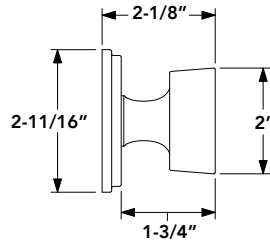
Finish: 030, 044, 055, 102, 112, 150, 190, 260

Item #	Description	Wt.	Price
5080.xxx.MR	Minus Roses – pair	1.2	\$230
5080.xxx.IMR	Minus Rose – half pair	0.6	\$115

NOTE: Recommend pairing this knob with our 6503.009 adaptor for 2 1/8" pre-bore doors, or 5086.009 adaptor for 1 1/2" small bore doors. Both are found on page 66. **A La Carte Rosettes are found on pages 54-63, latches are on page 64.**

K007 Hollywood Hills Knob (2")

Pre-Configured w/ R050 Rose 



A La Carte



Pre-Configured

Finish: 003, 031, 033, 044, 055, 056, 076, 102, 112, 190, 260

Item #	Description	Price
K007.xxx.FD	Full Dummy	\$304
K007.xxx.IDM	Half Dummy	\$152
K007.xxx.PASS	Passage	\$380
K007.xxx.PRIV	Privacy	

NOTE: Compatible with 1 3/8" and 1 3/4" thick doors. QUICKSHIP PASS and PRIV sets shipped after 2/1/2025 include a 2 3/8" and 2 3/4" adjustable backset latch, full lip strike, t-strike, universal dust box, and pre-bore adaptor. QUICKSHIP LEGACY PASS and PRIV functions include a 2 3/8" backset latch and a full lip strike. See 2 3/4" latch options on page 64. See T-Strike options on page 67.

A La Carte

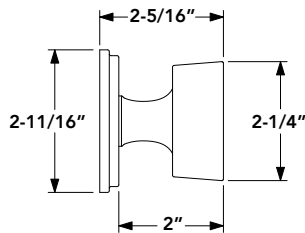
Finishes: 003, 031, 033, 044, 050, 055, 056, 060, 076, 102, 112, 190, 260, 402

Item #	Description	Wt.	Price
K007.xxx.MR	Minus Roses – pair	2.5	\$230
K007.xxx.IMR	Individual Minus Rose – half pair	1.5	\$115

NOTE: Recommend pairing this knob with our 6503.009 adaptor for 2 1/8" pre-bore doors, or 5086.009 adaptor for 1 1/2" small bore doors. Both are found on page 66. A La Carte Rosettes are found on pages 54-63, latches are on page 64.

K008 Hollywood Hills Knob (2 1/4")

Pre-Configured w/ R050 Rose 



A La Carte



Pre-Configured

Finish: 003, 031, 033, 044, 055, 056, 076, 102, 112, 190, 260

Item #	Description	Price
K008.xxx.FD	Full Dummy	\$324
K008.xxx.IDM	Half Dummy	\$162
K008.xxx.PASS	Passage	\$405
K008.xxx.PRIV	Privacy	

NOTE: Compatible with 1 3/8" and 1 3/4" thick doors. QUICKSHIP PASS and PRIV sets shipped after 2/1/2025 include a 2 3/8" and 2 3/4" adjustable backset latch, full lip strike, t-strike, universal dust box, and pre-bore adaptor. QUICKSHIP LEGACY PASS and PRIV functions include a 2 3/8" backset latch and a full lip strike. See 2 3/4" latch options on page 64. See T-Strike options on page 67.

A La Carte

Finishes: 003, 031, 033, 044, 050, 055, 056, 060, 076, 102, 112, 190, 260, 402

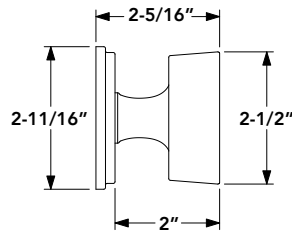
Item #	Description	Wt.	Price
K008.xxx.MR	Minus Roses – pair	2.5	\$262
K008.xxx.IMR	Individual Minus Rose – half pair	1.5	\$131

NOTE: Recommend pairing this knob with our 6503.009 adaptor for 2 1/8" pre-bore doors, or 5086.009 adaptor for 1 1/2" small bore doors. Both are found on page 66. A La Carte Rosettes are found on pages 54-63, latches are on page 64.

KNOBS & LEVERS | KNOBS

K009 Hollywood Hills Knob (2 1/2")

Pre-Configured w/ R050 Rose 



A La Carte



Pre-Configured

Finish: 003, 031, 033, 044, 055, 056, 076, 102, 112, 190, 260

Item #	Description	Price
K009.xxx.FD	Full Dummy	\$346
K009.xxx.IDM	Half Dummy	\$173
K009.xxx.PASS	Passage	\$433
K009.xxx.PRIV	Privacy	\$433

NOTE: Compatible with 1 3/8" and 1 3/4" thick doors. QUICKSHIP PASS and PRIV sets shipped after 2/1/2025 include a 2 3/8" and 2 3/4" adjustable backset latch, full lip strike, t-strike, universal dust box, and pre-bore adaptor. QUICKSHIP LEGACY PASS and PRIV functions include a 2 3/8" backset latch and a full lip strike. See 2 3/4" latch options on page 64. See T-Strike options on page 67.

A La Carte

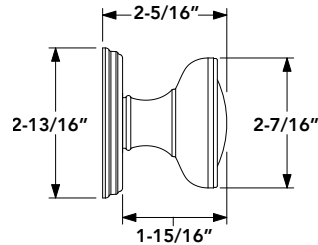
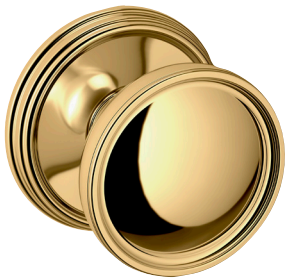
Finish: 003, 031, 033, 044, 050, 055, 056, 060, 076, 102, 112, 190, 260, 402

Item #	Description	Wt.	Price
K009.xxx.MR	Minus Roses – pair	3	\$290
K009.xxx.IMR	Individual Minus Rose – half pair	2	\$145

NOTE: Recommend pairing this knob with our 6503.009 adaptor for 2 1/8" pre-bore doors, or 5086.009 adaptor for 1 1/2" small bore doors. Both are found on page 66. **A La Carte Rosettes are found on pages 54-63, latches are on page 64.**

K012 Tulip Knob

Pre-Configured w/ 5078 Rose 



A La Carte



Pre-Configured

Finish: 003, 031, 033, 044, 055, 056, 076, 102, 112, 190, 260

Item #	Description	Price
K012.xxx.FD	Full Dummy	\$346
K012.xxx.IDM	Half Dummy	\$173
K012.xxx.PASS	Passage	\$433
K012.xxx.PRIV	Privacy	\$433

NOTE: Compatible with 1 3/8" and 1 3/4" thick doors. QUICKSHIP PASS and PRIV sets shipped after 2/1/2025 include a 2 3/8" and 2 3/4" adjustable backset latch, full lip strike, t-strike, universal dust box, and pre-bore adaptor. QUICKSHIP LEGACY PASS and PRIV functions include a 2 3/8" backset latch and a full lip strike. See 2 3/4" latch options on page 64. See T-Strike options on page 67.

A La Carte

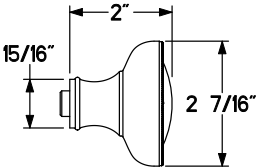
Finishes: 003, 031, 033, 044, 050, 055, 056, 060, 076, 102, 112, 190, 260, 402

Item #	Description	Wt.	Price
K012.xxx.MR	Minus Roses - pair	2.2	\$290
K012.xxx.IMR	Individual Minus Rose - half pair	1.1	\$145
K012.xxx.MRPN	Minus Roses – pair (PINNED)		\$377

NOTE: Recommend pairing this knob with our 6503.009 adaptor for 2 1/8" pre-bore doors, or 5086.009 adaptor for 1 1/2" small bore doors. Both are found on page 66. **A La Carte Rosettes are found on pages 54-63, latches are on page 64.**

K013 Coined Tulip Knob

A La Carte



A La Carte

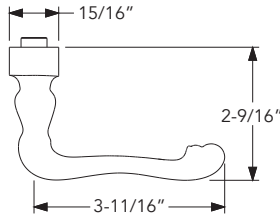
Finish: 003, 031, 033, 044, 050, 055, 056, 060, 076, 102, 112, 190, 260, 402

Item #	Description	Wt.	Price
K013.xxx.MR	Minus Roses - pair	2.2	\$290
K013.xxx.IMR	Individual Minus Rose - half pair	1.1	\$145
K013.xxx.MRPN	Minus Roses - pair (PINNED)		\$374

NOTE: Recommend pairing this knob with our 6503.009 adaptor for 2 1/8" pre-bore doors, or 5086.009 adaptor for 1 1/2" small bore doors. Both are found on page 66.
A La Carte Rosettes are found on pages 54-63, latches are on page 64.

5101 Lever

A La Carte



A La Carte

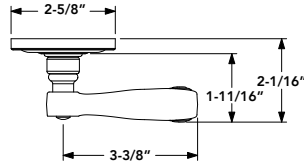
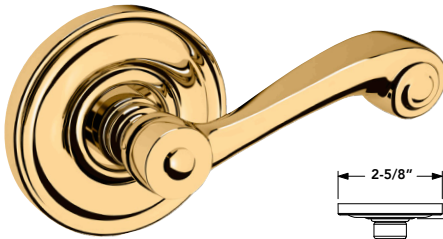
Finish: 003, 031, 033, 044, 050, 055, 056, 060, 076, 102, 112, 190, 260, 402

Item #	Description	Wt.	Price
5101.xxx.MR	Minus Roses – pair	2.5	\$262
5101.xxx.RMR (.LMR)	Right (Left) Minus Rose – half pair	1.3	\$131
5101.xxx.MRPN	Minus Roses – pair (PINNED)	2.5	\$341

NOTE: Recommend pairing this lever with our 6507.004 adaptor for 2 1/8" pre-bore doors, or 6511.004 adaptor for 1 1/2" small bore doors. Both are found on page 66.
A La Carte Rosettes are found on pages 54-63, latches are on page 64.

5103 Lever

Pre-Configured w/ 5048 Rose



A La Carte



Pre-Configured

Finish: 003, 031, 033, 044, 055, 056, 076, 102, 112, 190, 260

Item #	Description	Price
5103.xxx.FD	Full Dummy	\$324
5103.xxx.RDM (.LDM)	Right (Left) Hand Half Dummy	\$162
5103.xxx.PASS	Passage	\$405
5103.xxx.PRIV	Privacy	

NOTE: Compatible with 1 3/8" and 1 3/4" thick doors.
 QUICKSHIP PASS and PRIV sets shipped after 2/1/2025 include a 2 3/8" and 2 3/4" adjustable backset latch, full lip strike, t-strike, universal dust box, and pre-bore adaptor.
 QUICKSHIP LEGACY PASS and PRIV functions include a 2 3/8" backset latch and a full lip strike.
 See 2 3/4" latch options on page 64. See T-Strike options on page 67.

A La Carte

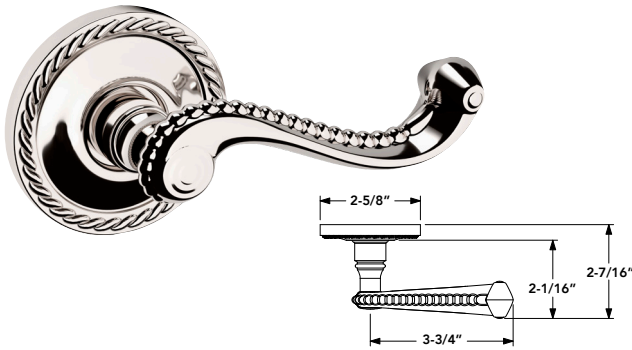
Finish: 003, 031, 033, 044, 050, 055, 056, 060, 076, 102, 112, 190, 260, 402

Item #	Description	Wt.	Price
5103.xxx.MR	Minus Roses – pair	1.5	\$262
5103.xxx.RMR (.LMR)	Right (Left) Minus Rose – half pair	0.8	\$131
5103.xxx.MRPN	Minus Roses – pair (PINNED)	1.5	\$341

NOTE: Recommend pairing this lever with our 6507.004 adaptor for 2 1/8" pre-bore doors, or 6511.004 adaptor for 1 1/2" small bore doors. Both are found on page 66.
A La Carte Rosettes are found on pages 54-63, latches are on page 64.

5104 Bristol Lever

Pre-Configured w/ 5004 Rose 



A La Carte



Pre-Configured

Finish: 003, 031, 033, 044, 055, 056, 076, 102, 112, 190, 260

Item #	Description	Price
5104.xxx.FD	Full Dummy	\$324
5104.xxx.RDM (.LDM)	Right (Left) Hand Half Dummy	\$162
5104.xxx.PASS	Passage	\$405
5104.xxx.PRIV	Privacy	\$405

NOTE: Compatible with 1 3/8" and 1 3/4" thick doors. QUICKSHIP PASS and PRIV sets shipped after 2/1/2025 include a 2 3/8" and 2 3/4" adjustable backset latch, full lip strike, t-strike, universal dust box, and pre-bore adaptor. QUICKSHIP LEGACY PASS and PRIV functions include a 2 3/8" backset latch and a full lip strike. See 2 3/4" latch options on page 64. See T-Strike options on page 67.

A La Carte

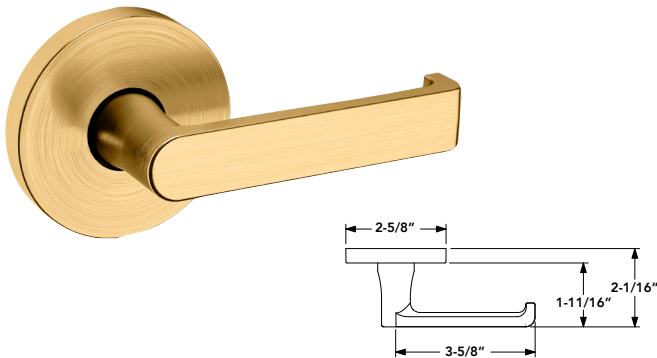
Finish: 003, 031, 033, 044, 050, 055, 056, 060, 076, 102, 112, 190, 260, 402

Item #	Description	Wt.	Price
5104.xxx.MR	Minus Roses – pair	1.5	\$262
5104.xxx.RMR (.L MR)	Right (Left) Minus Rose – half pair	0.8	\$131
5104.xxx.MRPN	Minus Roses – pair (PINNED)	1.5	\$341

NOTE: Recommend pairing this lever with our 6507.004 adaptor for 2 1/8" pre-bore doors, or 6511.004 adaptor for 1 1/2" small bore doors. Both are found on page 66. **A La Carte Rosettes are found on pages 54-63, latches are on page 64.**

5105 Lever

Pre-Configured w/ 5046 Rose 



A La Carte



Pre-Configured

Finish: 044, 055, 056, 076, 102, 112, 190, 260

Item #	Description	Price
5105.xxx.FD	Full Dummy	\$324
5105.xxx.RDM (.LDM)	Right (Left) Hand Half Dummy	\$162
5105.xxx.PASS	Passage	\$405
5105.xxx.PRIV	Privacy	\$405

NOTE: Compatible with 1 3/8" and 1 3/4" thick doors. QUICKSHIP PASS and PRIV sets shipped after 2/1/2025 include a 2 3/8" and 2 3/4" adjustable backset latch, full lip strike, t-strike, universal dust box, and pre-bore adaptor. QUICKSHIP LEGACY PASS and PRIV functions include a 2 3/8" backset latch and a full lip strike. See 2 3/4" latch options on page 64. See T-Strike options on page 67.

A La Carte

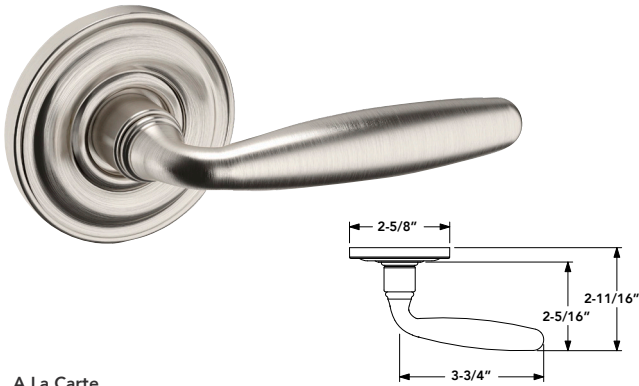
Finish: 003, 031, 033, 044, 050, 055, 056, 060, 076, 102, 112, 190, 260, 402

Item #	Description	Wt.	Price
5105.xxx.MR	Minus Roses – pair	1.0	\$262
5105.xxx.RMR (.LMR)	Right (Left) Minus Rose – half pair	0.5	\$131
5105.xxx.MRPN	Minus Roses – pair (PINNED)	1.0	\$341

NOTE: Recommend pairing this lever with our 6507.004 adaptor for 2 1/8" pre-bore doors, or 6511.004 adaptor for 1 1/2" small bore doors. Both are found on page 66. **A La Carte Rosettes are found on pages 54-63, latches are on page 64.**

5106 Lever

Pre-Configured w/ 5048 Rose 



A La Carte



Pre-Configured

Finish: 003, 031, 033, 044, 055, 056, 076, 102, 112, 190, 260

Item #	Description	Price
5106.xxx.FD	Full Dummy	\$324
5106.xxx.RDM (LDM)	Right (Left) Hand Half Dummy	\$162
5106.xxx.PASS	Passage	\$405
5106.xxx.PRIV	Privacy	

NOTE: Compatible with 1 3/8" and 1 3/4" thick doors. QUICKSHIP PASS and PRIV sets shipped after 2/1/2025 include a 2 3/8" and 2 3/4" adjustable backset latch, full lip strike, t-strike, universal dust box, and pre-bore adaptor. QUICKSHIP LEGACY PASS and PRIV functions include a 2 3/8" backset latch and a full lip strike. See 2 3/4" latch options on page 64. See T-Strike options on page 67.

A La Carte

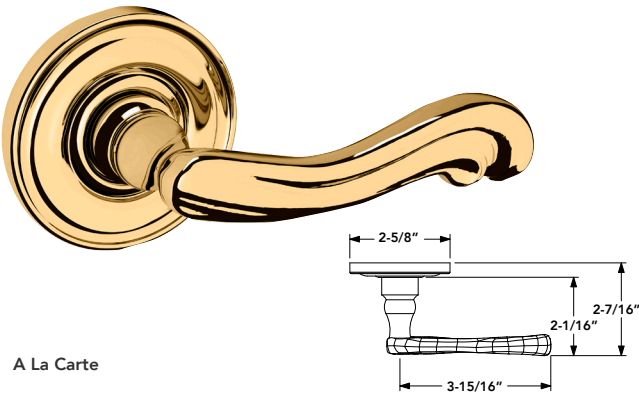
Finish: 003, 031, 033, 044, 050, 055, 056, 060, 076, 102, 112, 190, 260, 402

Item #	Description	Wt.	Price
5105.xxx.MR	Minus Roses – pair	1.0	\$262
5105.xxx.RMR (.LMR)	Right (Left) Minus Rose – half pair	0.5	\$131
5105.xxx.MRPN	Minus Roses – pair (PINNED)	1.0	\$341

NOTE: Recommend pairing this lever with our 6507.004 adaptor for 2 1/8" pre-bore doors, or 6511.004 adaptor for 1 1/2" small bore doors. Both are found on page 66. A La Carte Rosettes are found on pages 54-63, latches are on page 64.

5108 Kensington Lever

Pre-Configured w/ 5048 Rose 



A La Carte



Pre-Configured

Finish: 003, 031, 033, 044, 055, 056, 076, 102, 112, 190, 260

Item #	Description	Price
5108.xxx.FD	Full Dummy	\$324
5108.xxx.RDM (LDM)	Right (Left) Hand Half Dummy	\$162
5108.xxx.PASS	Passage	\$405
5108.xxx.PRIV	Privacy	

NOTE: Compatible with 1 3/8" and 1 3/4" thick doors. QUICKSHIP PASS and PRIV sets shipped after 2/1/2025 include a 2 3/8" and 2 3/4" adjustable backset latch, full lip strike, t-strike, universal dust box, and pre-bore adaptor. QUICKSHIP LEGACY PASS and PRIV functions include a 2 3/8" backset latch and a full lip strike. See 2 3/4" latch options on page 64. See T-Strike options on page 67.

A La Carte

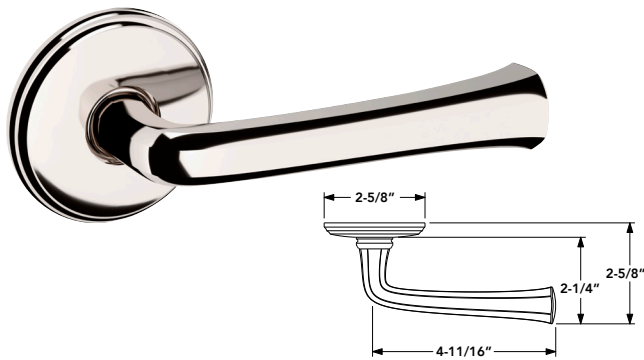
Finish: 003, 031, 033, 044, 050, 055, 056, 060, 076, 102, 112, 190, 260, 402

Item #	Description	Wt.	Price
5108.xxx.MR	Minus Roses – pair	1.3	\$262
5108.xxx.RMR (.LMR)	Right (Left) Minus Rose – half pair	0.7	\$131
5108.xxx.MRPN	Minus Roses – pair (PINNED)	1.3	\$341

NOTE: Recommend pairing this lever with our 6507.004 adaptor for 2 1/8" pre-bore doors, or 6511.004 adaptor for 1 1/2" small bore doors. Both are found on page 66. A La Carte Rosettes are found on pages 54-63, latches are on page 64.

5112 Lever

Pre-Configured w/ 5075 Rose 



A La Carte



Pre-Configured

Finish: 003, 031, 033, 044, 055, 056, 076, 102, 112, 190, 260

Item #	Description	Price
5112.xxx.FD	Full Dummy	\$324
5112.xxx.RDM (.LDM)	Right (Left) Hand Half Dummy	\$162
5112.xxx.PASS	Passage	\$405
5112.xxx.PRIV	Privacy	\$405

NOTE: Compatible with 1 3/8" and 1 3/4" thick doors. QUICKSHIP PASS and PRIV sets shipped after 2/1/2025 include a 2 3/8" and 2 3/4" adjustable backset latch, full lip strike, t-strike, universal dust box, and pre-bore adaptor. QUICKSHIP LEGACY PASS and PRIV functions include a 2 3/8" backset latch and a full lip strike. See 2 3/4" latch options on page 64. See T-Strike options on page 67.

A La Carte

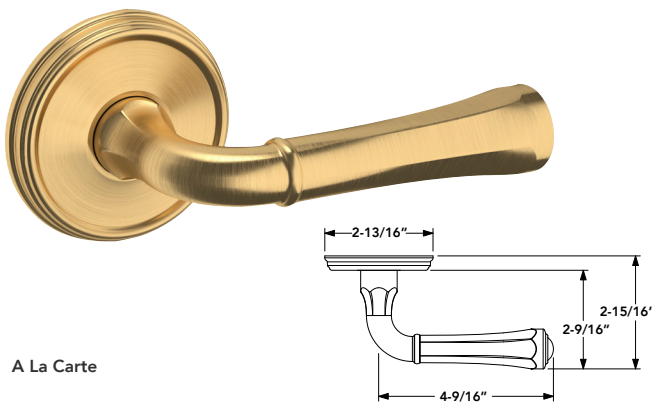
Finish: 003, 031, 033, 044, 050, 055, 056, 060, 076, 102, 112, 190, 260, 402

Item #	Description	Wt.	Price
5112.xxx.MR	Minus Roses – pair	1.1	\$262
5112.xxx.RMR (.LMR)	Right (Left) Minus Rose – half pair	0.55	\$131
5112.xxx.MRPN	Minus Roses – pair (PINNED)	1.1	\$341

NOTE: Recommend pairing this lever with our 6507.004 adaptor for 2 1/8" pre-bore doors, or 6511.004 adaptor for 1 1/2" small bore doors. Both are found on page 66. **A La Carte Rosettes are found on pages 54-63, latches are on page 64.**

5113 Lever

Pre-Configured w/ 5078 Rose 



A La Carte



Pre-Configured

Finish: 003, 031, 033, 044, 055, 056, 076, 102, 112, 190, 260

Item #	Description	Price
5113.xxx.FD	Full Dummy	\$324
5113.xxx.RDM (.LDM)	Right (Left) Hand Half Dummy	\$162
5113.xxx.PASS	Passage	\$405
5113.xxx.PRIV	Privacy	\$405

NOTE: Compatible with 1 3/8" and 1 3/4" thick doors. QUICKSHIP PASS and PRIV sets shipped after 2/1/2025 include a 2 3/8" and 2 3/4" adjustable backset latch, full lip strike, t-strike, universal dust box, and pre-bore adaptor. QUICKSHIP LEGACY PASS and PRIV functions include a 2 3/8" backset latch and a full lip strike. See 2 3/4" latch options on page 64. See T-Strike options on page 67.

A La Carte

Finish: 003, 031, 033, 044, 050, 055, 056, 060, 076, 102, 112, 190, 260, 402

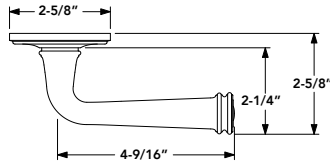
Item #	Description	Wt.	Price
5113.xxx.MR	Minus Roses – pair	1.1	\$262
5113.xxx.RMR (.LMR)	Right (Left) Minus Rose – half pair	0.55	\$131
5113.xxx.MRPN	Minus Roses – pair (PINNED)	1.1	\$341

NOTE: Recommend pairing this lever with our 6507.004 adaptor for 2 1/8" pre-bore doors, or 6511.004 adaptor for 1 1/2" small bore doors. Both are found on page 66. **A La Carte Rosettes are found on pages 54-63, latches are on page 64.**

PRE-CONFIGURED SETS | KNOBS

5116 Lever

Pre-Configured w/ 5076 Rose 



A La Carte



Pre-Configured

Finish: 003, 031, 033, 044, 055, 056, 076, 102, 112, 190, 260

Item #	Description	Price
5116.xxx.FD	Full Dummy	\$324
5116.xxx.RDM (LDM)	Right (Left) Hand Half Dummy	\$162
5116.xxx.PASS	Passage	\$405
5116.xxx.PRIV	Privacy	

NOTE: Compatible with 1 3/8" and 1 3/4" thick doors. QUICKSHIP PASS and PRIV sets shipped after 2/1/2025 include a 2 3/8" and 2 3/4" adjustable backset latch, full lip strike, t-strike, universal dust box, and pre-bore adaptor. QUICKSHIP LEGACY PASS and PRIV functions include a 2 3/8" backset latch and a full lip strike. See 2 3/4" latch options on page 64. See T-Strike options on page 67.

A La Carte

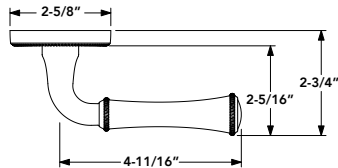
Finish: 003, 031, 033, 044, 050, 055, 056, 060, 076, 102, 112, 190, 260, 402

Item #	Description	Wt.	Price
5116.xxx.MR	Minus Roses – pair	1.1	\$262
5116.xxx.RMR (.LMR)	Right (Left) Minus Rose – half pair	0.55	\$131
5116.xxx.MRPN	Minus Roses – pair (PINNED)	1.1	\$341

NOTE: Recommend pairing this lever with our 6507.004 adaptor for 2 1/8" pre-bore doors, or 6511.004 adaptor for 1 1/2" small bore doors. Both are found on page 66. **A La Carte Rosettes are found on pages 54-63, latches are on page 64.**

5118 Lever

Pre-Configured w/ 5076 Rose 



A La Carte



Pre-Configured

Finish: 003, 031, 033, 044, 055, 056, 076, 102, 112, 190, 260

Item #	Description	Price
5118.xxx.FD	Full Dummy	\$324
5118.xxx.RDM (LDM)	Right (Left) Hand Half Dummy	\$162
5118.xxx.PASS	Passage	\$405
5118.xxx.PRIV	Privacy	

NOTE: Compatible with 1 3/8" and 1 3/4" thick doors. QUICKSHIP PASS and PRIV sets shipped after 2/1/2025 include a 2 3/8" and 2 3/4" adjustable backset latch, full lip strike, t-strike, universal dust box, and pre-bore adaptor. QUICKSHIP LEGACY PASS and PRIV functions include a 2 3/8" backset latch and a full lip strike. See 2 3/4" latch options on page 64. See T-Strike options on page 67.

A La Carte

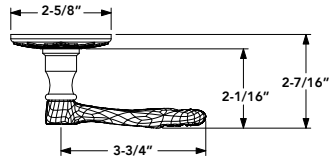
Finish: 003, 031, 033, 044, 050, 055, 056, 060, 076, 102, 112, 190, 260, 402

Item #	Description	Wt.	Price
5118.xxx.MR	Minus Roses – pair	1.1	\$262
5118.xxx.RMR (.LMR)	Right (Left) Minus Rose – half pair	0.55	\$131
5118.xxx.MRPN	Minus Roses – pair (PINNED)	1.1	\$341

NOTE: Recommend pairing this lever with our 6507.004 adaptor for 2 1/8" pre-bore doors, or 6511.004 adaptor for 1 1/2" small bore doors. Both are found on page 66. **A La Carte Rosettes are found on pages 54-63, latches are on page 64.**

5121 Lever

Pre-Configured w/ R012 Rose 



A La Carte



Pre-Configured

Finish: 003, 031, 033, 044, 055, 056, 076, 102, 112, 190, 260

Item #	Description	Price
5121.xxx.FD	Full Dummy	\$324
5121.xxx.RDM (.LDM)	Right (Left) Hand Half Dummy	\$162
5121.xxx.PASS	Passage	\$405
5121.xxx.PRIV	Privacy	

NOTE: Compatible with 1 3/8" and 1 3/4" thick doors. QUICKSHIP PASS and PRIV sets shipped after 2/1/2025 include a 2 3/8" and 2 3/4" adjustable backset latch, full lip strike, t-strike, universal dust box, and pre-bore adaptor. QUICKSHIP LEGACY PASS and PRIV functions include a 2 3/8" backset latch and a full lip strike. See 2 3/4" latch options on page 64. See T-Strike options on page 67.

A La Carte

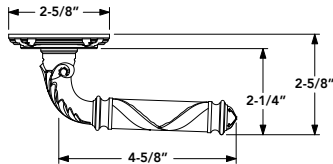
Finish: 003, 031, 033, 044, 050, 055, 056, 060, 076, 102, 112, 190, 260, 402

Item #	Description	Wt.	Price
5121.xxx.MR	Minus Roses – pair	1.0	\$262
5121.xxx.RMR (.LMR)	Right (Left) Minus Rose – half pair	0.5	\$131
5121.xxx.MRPN	Minus Roses – pair (PINNED)	1.0	\$341

NOTE: Recommend pairing this lever with our 6507.004 adaptor for 2 1/8" pre-bore doors, or 6511.004 adaptor for 1 1/2" small bore doors. Both are found on page 66. **A La Carte Rosettes are found on pages 54-63, latches are on page 64.**

5122 Edinburgh Lever

Pre-Configured w/ 5021 Rose 



A La Carte



Pre-Configured

Finish: 003, 031, 033, 044, 055, 056, 076, 102, 112, 190, 260

Item #	Description	Price
5122.xxx.FD	Full Dummy	\$324
5122.xxx.RDM (.LDM)	Right (Left) Hand Half Dummy	\$162
5122.xxx.PASS	Passage	\$405
5122.xxx.PRIV	Privacy	

NOTE: Compatible with 1 3/8" and 1 3/4" thick doors. QUICKSHIP PASS and PRIV sets shipped after 2/1/2025 include a 2 3/8" and 2 3/4" adjustable backset latch, full lip strike, t-strike, universal dust box, and pre-bore adaptor. QUICKSHIP LEGACY PASS and PRIV functions include a 2 3/8" backset latch and a full lip strike. See 2 3/4" latch options on page 64. See T-Strike options on page 67.

A La Carte

Finish: 003, 031, 033, 044, 050, 055, 056, 060, 076, 102, 112, 190, 260, 402

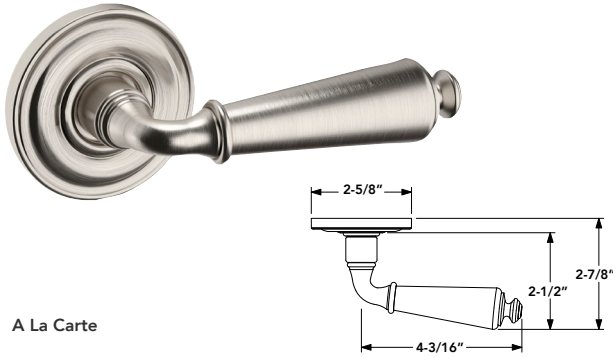
Item #	Description	Wt.	Price
5122.xxx.MR	Minus Roses – pair	1.6	\$262
5122.xxx.RMR (.LMR)	Right (Left) Minus Rose – half pair	0.8	\$131
5122.xxx.MRPN	Minus Roses – pair (PINNED)	1.6	\$341

NOTE: Recommend pairing this lever with our 6507.004 adaptor for 2 1/8" pre-bore doors, or 6511.004 adaptor for 1 1/2" small bore doors. Both are found on page 66. **A La Carte Rosettes are found on pages 54-63, latches are on page 64.**

KNOBS & LEVERS | LEVERS

5125 Lever

Pre-Configured w/ 5048 Rose 



A La Carte



Pre-Configured

Finish: 003, 031, 033, 044, 055, 056, 076, 102, 112, 190, 260

Item #	Description	Price
5125.xxx.FD	Full Dummy	\$324
5125.xxx.RDM (.LDM)	Right (Left) Hand Half Dummy	\$162
5125.xxx.PASS	Passage	\$405
5125.xxx.PRIV	Privacy	

NOTE: Compatible with 1 3/8" and 1 3/4" thick doors. QUICKSHIP PASS and PRIV sets shipped after 2/1/2025 include a 2 3/8" and 2 3/4" adjustable backset latch, full lip strike, t-strike, universal dust box, and pre-bore adaptor. QUICKSHIP LEGACY PASS and PRIV functions include a 2 3/8" backset latch and a full lip strike. See 2 3/4" latch options on page 64. See T-Strike options on page 67.

A La Carte

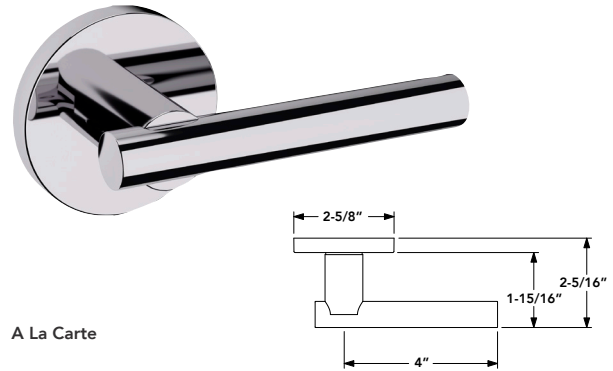
Finish: 003, 031, 033, 044, 050, 055, 056, 060, 076, 102, 112, 190, 260, 402

Item #	Description	Wt.	Price
5125.xxx.MR	Minus Roses – pair	1.4	\$262
5125.xxx.RMR (.LMR)	Right (Left) Minus Rose – half pair	0.7	\$131
5125.xxx.MRPN	Minus Roses – pair (PINNED)	1.4	\$341

NOTE: Recommend pairing this lever with our 6507.004 adaptor for 2 1/8" pre-bore doors, or 6511.004 adaptor for 1 1/2" small bore doors. Both are found on page 66. **A La Carte Rosettes are found on pages 54-63, latches are on page 64.**

5137 Lever

Pre-Configured w/ 5046 Rose 



A La Carte



Pre-Configured

Finish: 044, 055, 056, 076, 102, 112, 190, 260

Item #	Description	Price
5137.xxx.FD	Full Dummy	\$324
5137.xxx.RDM (.LDM)	Right (Left) Hand Half Dummy	\$162
5137.xxx.PASS	Passage	\$405
5137.xxx.PRIV	Privacy	

NOTE: Compatible with 1 3/8" and 1 3/4" thick doors. QUICKSHIP PASS and PRIV sets shipped after 2/1/2025 include a 2 3/8" and 2 3/4" adjustable backset latch, full lip strike, t-strike, universal dust box, and pre-bore adaptor. QUICKSHIP LEGACY PASS and PRIV functions include a 2 3/8" backset latch and a full lip strike. See 2 3/4" latch options on page 64. See T-Strike options on page 67.

A La Carte

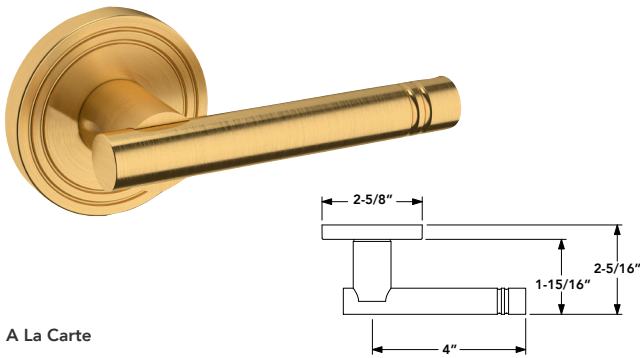
Finish: 003, 031, 033, 044, 050, 055, 056, 060, 076, 102, 112, 190, 260, 402

Item #	Description	Wt.	Price
5137.xxx.MR	Minus Roses – pair	2.1	\$262
5137.xxx.RMR (.LMR)	Right (Left) Minus Rose – half pair	1.1	\$131
5137.xxx.MRPN	Minus Roses – pair (PINNED)	2.1	\$341

NOTE: Recommend pairing this lever with our 6507.004 adaptor for 2 1/8" pre-bore doors, or 6511.004 adaptor for 1 1/2" small bore doors. Both are found on page 66. **A La Carte Rosettes are found on pages 54-63, latches are on page 64.**

5138 Lever

Pre-Configured w/ 5047 Rose 



A La Carte



Pre-Configured

Finish: **044, 055, 056, 076, 102, 112, 190, 260**

Item #	Description	Price
5138.xxx.FD	Full Dummy	\$324
5138.xxx.RDM (LDM)	Right (Left) Hand Half Dummy	\$162
5138.xxx.PASS	Passage	\$405
5138.xxx.PRIV	Privacy	

NOTE: Compatible with 1 3/8" and 1 3/4" thick doors. QUICKSHIP PASS and PRIV sets shipped after 2/1/2025 include a 2 3/8" and 2 3/4" adjustable backset latch, full lip strike, t-strike, universal dust box, and pre-bore adaptor. QUICKSHIP LEGACY PASS and PRIV functions include a 2 3/8" backset latch and a full lip strike. See 2 3/4" latch options on page 64. See T-Strike options on page 67.

A La Carte

Finish: **003, 031, 033, 044, 050, 055, 056, 060, 076, 102, 112, 190, 260, 402**

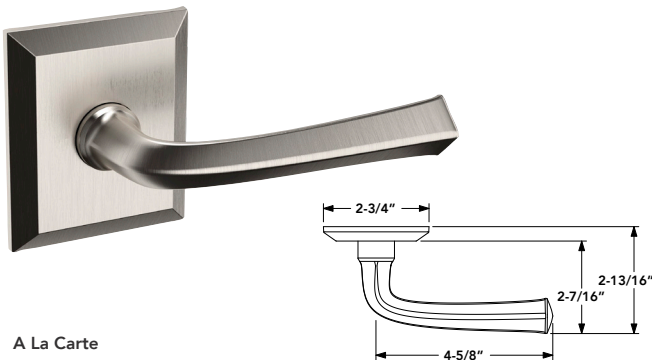
Item #	Description	Wt.	Price
5138.xxx.MR	Minus Roses – pair	2.3	\$262
5138.xxx.RMR (LMR)	Right (Left) Minus Rose – half pair	1.2	\$131
5138.xxx.MRPN	Minus Roses – pair (PINNED)	2.3	\$341

NOTE: Recommend pairing this lever with our 6507.004 adaptor for 2 1/8" pre-bore doors, or 6511.004 adaptor for 1 1/2" small bore doors. Both are found on page 66.

A La Carte Rosettes are found on pages 54-63, latches are on page 64.

5141 Lever

Pre-Configured w/ R033 Rose 



A La Carte



Pre-Configured

Finish: **003, 031, 033, 044, 055, 056, 076, 102, 112, 190, 260**

Item #	Description	Price
5141.xxx.FD	Full Dummy	\$324
5141.xxx.RDM (LDM)	Right (Left) Hand Half Dummy	\$162
5141.xxx.PASS	Passage	\$405
5141.xxx.PRIV	Privacy	

NOTE: Compatible with 1 3/8" and 1 3/4" thick doors. QUICKSHIP PASS and PRIV sets shipped after 2/1/2025 include a 2 3/8" and 2 3/4" adjustable backset latch, full lip strike, t-strike, universal dust box, and pre-bore adaptor. QUICKSHIP LEGACY PASS and PRIV functions include a 2 3/8" backset latch and a full lip strike. See 2 3/4" latch options on page 64. See T-Strike options on page 67.

A La Carte

Finish: **003, 031, 033, 044, 050, 055, 056, 060, 076, 102, 112, 190, 260, 402**

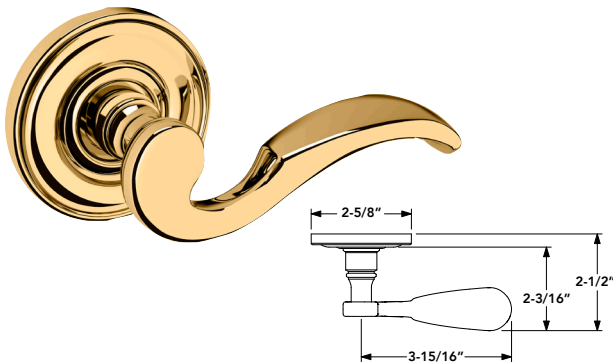
Item #	Description	Wt.	Price
5141.xxx.MR	Minus Roses – pair	1.1	\$262
5141.xxx.RMR (LMR)	Right (Left) Minus Rose – half pair	0.55	\$131
5141.xxx.MRPN	Minus Roses – pair (PINNED)	1.1	\$341

NOTE: Recommend pairing this lever with our 6507.004 adaptor for 2 1/8" pre-bore doors, or 6511.004 adaptor for 1 1/2" small bore doors. Both are found on page 66.

A La Carte Rosettes are found on pages 54-63, latches are on page 64.

5152 Lever

Pre-Configured w/ 5048 Rose 



A La Carte



Pre-Configured

Finish: 003, 031, 033, 044, 055, 056, 076, 102, 112, 190, 260

Item #	Description	Price
5152.xxx.FD	Full Dummy	\$324
5152.xxx.RDM (.LDM)	Right (Left) Hand Half Dummy	\$162
5152.xxx.PASS	Passage	\$405
5152.xxx.PRIV	Privacy	

NOTE: Compatible with 1 3/8" and 1 3/4" thick doors. QUICKSHIP PASS and PRIV sets shipped after 2/1/2025 include a 2 3/8" and 2 3/4" adjustable backset latch, full lip strike, t-strike, universal dust box, and pre-bore adaptor. QUICKSHIP LEGACY PASS and PRIV functions include a 2 3/8" backset latch and a full lip strike. See 2 3/4" latch options on page 64. See T-Strike options on page 67.

A La Carte

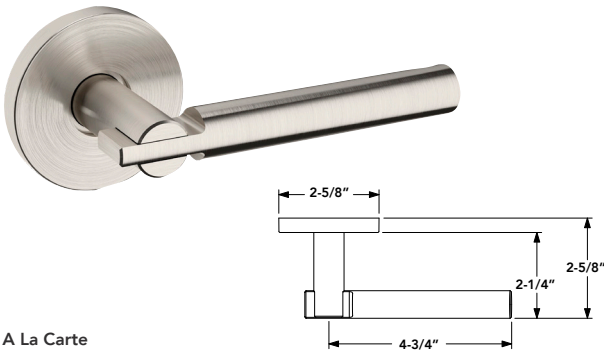
Finish: 003, 031, 033, 044, 050, 055, 056, 060, 076, 102, 112, 190, 260, 402

Item #	Description	Wt.	Price
5152.xxx.MR	Minus Roses – pair	1.0	\$262
5152.xxx.RMR (.LMR)	Right (Left) Minus Rose – half pair	0.5	\$131
5152.xxx.MRPN	Minus Roses – pair (PINNED)	1.0	\$341

NOTE: Recommend pairing this lever with our 6507.004 adaptor for 2 1/8" pre-bore doors, or 6511.004 adaptor for 1 1/2" small bore doors. Both are found on page 66. **A La Carte Rosettes are found on pages 54-63, latches are on page 64.**

5161 Lever

Pre-Configured w/ 5046 Rose 



A La Carte



Pre-Configured

Finish: 044, 055, 056, 076, 102, 112, 190, 260

Item #	Description	Price
5161.xxx.FD	Full Dummy	\$324
5161.xxx.RDM (.LDM)	Right (Left) Hand Half Dummy	\$162
5161.xxx.PASS	Passage	\$405
5161.xxx.PRIV	Privacy	

NOTE: Compatible with 1 3/8" and 1 3/4" thick doors. QUICKSHIP PASS and PRIV sets shipped after 2/1/2025 include a 2 3/8" and 2 3/4" adjustable backset latch, full lip strike, t-strike, universal dust box, and pre-bore adaptor. QUICKSHIP LEGACY PASS and PRIV functions include a 2 3/8" backset latch and a full lip strike. See 2 3/4" latch options on page 64. See T-Strike options on page 67.

A La Carte

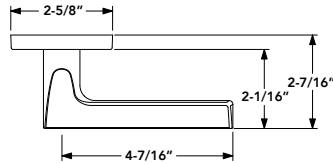
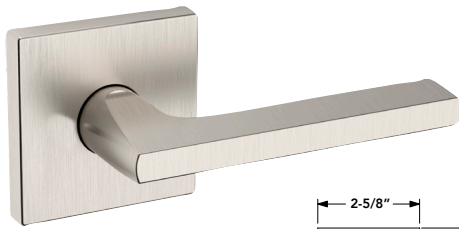
Finish: 003, 031, 033, 044, 050, 055, 056, 060, 076, 102, 112, 190, 260, 402

Item #	Description	Wt.	Price
5161.xxx.MR	Minus Roses – pair	1.2	\$262
5161.xxx.RMR (.LMR)	Right (Left) Minus Rose – half pair	0.6	\$131
5161.xxx.MRPN	Minus Roses – pair (PINNED)	1.2	\$341

NOTE: Recommend pairing this lever with our 6507.004 adaptor for 2 1/8" pre-bore doors, or 6511.004 adaptor for 1 1/2" small bore doors. Both are found on page 66. **A La Carte Rosettes are found on pages 54-63, latches are on page 64.**

5162 Minneapolis Lever

Pre-Configured w/ R017 Rose 



A La Carte



Pre-Configured

Finish: **044, 055, 056, 076, 102, 112, 190, 260**

Item #	Description	Price
5162.xxx.FD	Full Dummy	\$324
5162.xxx.RDM (.LDM)	Right (Left) Hand Half Dummy	\$162
5162.xxx.PASS	Passage	\$405
5162.xxx.PRIV	Privacy	\$405

NOTE: Compatible with 1 3/8" and 1 3/4" thick doors. QUICKSHIP PASS and PRIV sets shipped after 2/1/2025 include a 2 3/8" and 2 3/4" adjustable backset latch, full lip strike, t-strike, universal dust box, and pre-bore adaptor. QUICKSHIP LEGACY PASS and PRIV functions include a 2 3/8" backset latch and a full lip strike. See 2 3/4" latch options on page 64. See T-Strike options on page 67.

A La Carte

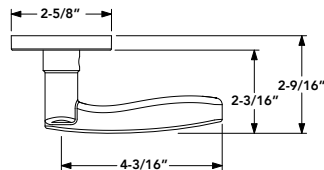
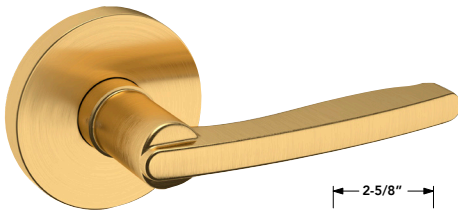
Finish: **003, 031, 033, 044, 050, 055, 056, 060, 076, 102, 112, 190, 260, 402**

Item #	Description	Wt.	Price
5162.xxx.MR	Minus Roses – pair	1.4	\$262
5162.xxx.RMR (.LMR)	Right (Left) Minus Rose – half pair	0.7	\$131
5162.xxx.MRPN	Minus Roses – pair (PINNED)	1.4	\$341

NOTE: Recommend pairing this lever with our 6507.004 adaptor for 2 1/8" pre-bore doors, or 6511.004 adaptor for 1 1/2" small bore doors. Both are found on page 66. **A La Carte Rosettes are found on pages 54-63, latches are on page 64.**

5164 Houston Lever

Pre-Configured w/ 5046 Rose 



A La Carte



Pre-Configured

Finish: **044, 055, 056, 076, 102, 112, 190, 260**

Item #	Description	Price
5164.xxx.FD	Full Dummy	\$324
5164.xxx.RDM (.LDM)	Right (Left) Hand Half Dummy	\$162
5164.xxx.PASS	Passage	\$405
5164.xxx.PRIV	Privacy	\$405

NOTE: Compatible with 1 3/8" and 1 3/4" thick doors. QUICKSHIP PASS and PRIV sets shipped after 2/1/2025 include a 2 3/8" and 2 3/4" adjustable backset latch, full lip strike, t-strike, universal dust box, and pre-bore adaptor. QUICKSHIP LEGACY PASS and PRIV functions include a 2 3/8" backset latch and a full lip strike. See 2 3/4" latch options on page 64. See T-Strike options on page 67.

A La Carte

Finish: **003, 031, 033, 044, 050, 055, 056, 060, 076, 102, 112, 190, 260, 402**

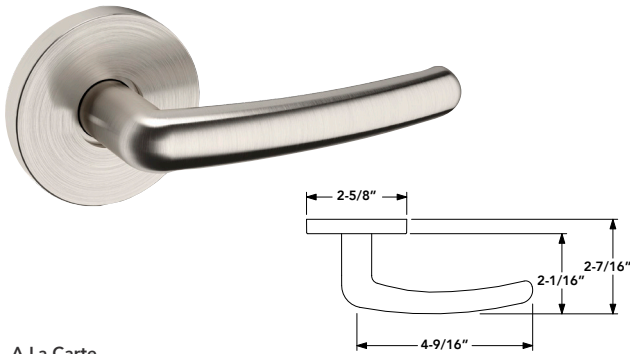
Item #	Description	Wt.	Price
5164.xxx.MR	Minus Roses – pair	1.3	\$262
5164.xxx.RMR (.LMR)	Right (Left) Minus Rose – half pair	0.7	\$131
5164.xxx.MRPN	Minus Roses – pair (PINNED)	1.3	\$341

NOTE: Recommend pairing this lever with our 6507.004 adaptor for 2 1/8" pre-bore doors, or 6511.004 adaptor for 1 1/2" small bore doors. Both are found on page 66. **A La Carte Rosettes are found on pages 54-63, latches are on page 64.**

KNOBS & LEVERS | LEVERS

5165 Lever

Pre-Configured w/ 5046 Rose 



A La Carte



Pre-Configured

Finish: 044, 055, 056, 076, 102, 112, 190, 260

Item #	Description	Price
5165.xxx.FD	Full Dummy	\$324
5165.xxx.RDM (LDM)	Right (Left) Hand Half Dummy	\$162
5165.xxx.PASS	Passage	\$405
5165.xxx.PRIV	Privacy	

NOTE: Compatible with 1 3/8" and 1 3/4" thick doors. QUICKSHIP PASS and PRIV sets shipped after 2/1/2025 include a 2 3/8" and 2 3/4" adjustable backset latch, full lip strike, t-strike, universal dust box, and pre-bore adaptor. QUICKSHIP LEGACY PASS and PRIV functions include a 2 3/8" backset latch and a full lip strike. See 2 3/4" latch options on page 64. See T-Strike options on page 67.

A La Carte

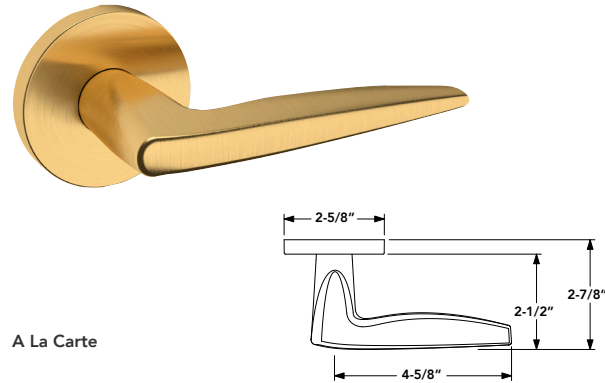
Finish: 003, 031, 033, 044, 050, 055, 056, 060, 076, 102, 112, 190, 260, 402

Item #	Description	Wt.	Price
5165.xxx.MR	Minus Roses – pair	1.2	\$262
5165.xxx.RMR (.LMR)	Right (Left) Minus Rose – half pair	0.6	\$131
5165.xxx.MRPN	Minus Roses – pair (PINNED)	1.2	\$341

NOTE: Recommend pairing this lever with our 6507.004 adaptor for 2 1/8" pre-bore doors, or 6511.004 adaptor for 1 1/2" small bore doors. Both are found on page 66. **A La Carte Rosettes are found on pages 54-63, latches are on page 64.**

5166 Lever

Pre-Configured w/ 5046 Rose 



A La Carte



Pre-Configured

Finish: 044, 055, 056, 076, 102, 112, 190, 260

Item #	Description	Price
5166.xxx.FD	Full Dummy	\$324
5166.xxx.RDM (LDM)	Right (Left) Hand Half Dummy	\$162
5166.xxx.PASS	Passage	\$405
5166.xxx.PRIV	Privacy	

NOTE: Compatible with 1 3/8" and 1 3/4" thick doors. QUICKSHIP PASS and PRIV sets shipped after 2/1/2025 include a 2 3/8" and 2 3/4" adjustable backset latch, full lip strike, t-strike, universal dust box, and pre-bore adaptor. QUICKSHIP LEGACY PASS and PRIV functions include a 2 3/8" backset latch and a full lip strike. See 2 3/4" latch options on page 64. See T-Strike options on page 67.

A La Carte

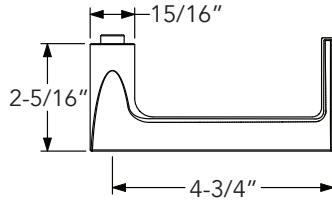
Finish: 003, 031, 033, 044, 050, 055, 056, 060, 076, 102, 112, 190, 260, 402

Item #	Description	Wt.	Price
5166.xxx.MR	Minus Roses – pair	2.0	\$262
5166.xxx.RMR (.LMR)	Right (Left) Minus Rose – half pair	1.0	\$131
5166.xxx.MRPN	Minus Roses – pair (PINNED)	2.0	\$341

NOTE: Recommend pairing this lever with our 6507.004 adaptor for 2 1/8" pre-bore doors, or 6511.004 adaptor for 1 1/2" small bore doors. Both are found on page 66. **A La Carte Rosettes are found on pages 54-63, latches are on page 64.**

5167 Lever

A La Carte



A La Carte

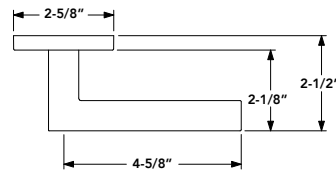
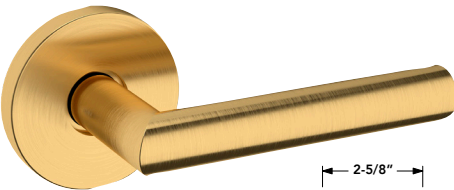
Finish: 003, 031, 033, 044, 050, 055, 056, 060, 076, 102, 112, 190, 260, 402

Item #	Description	Wt.	Price
5167.xxx.MR	Minus Roses – pair		\$290
5167.xxx.RMR (.LMR)	Right (Left) Minus Rose – half pair		\$145
5167.XXX.MRPN	Minus Roses - pair (PINNED)		\$377

NOTE: Recommend pairing this lever with our 6507.004 adaptor for 2 1/8" pre-bore doors, or 6511.004 adaptor for 1 1/2" small bore doors. Both are found on page 66.
A La Carte Rosettes are found on pages 54-63, latches are on page 64.

5173 Lever

Pre-Configured w/ 5046 Rose



A La Carte



Pre-Configured

Finish: 044, 055, 056, 076, 102, 112, 190, 260

Item #	Description	Price
5173.xxx.FD	Full Dummy	\$324
5173.xxx.RDM (.LDM)	Right (Left) Hand Half Dummy	\$162
5173.xxx.PASS	Passage	\$405
5173.xxx.PRIV	Privacy	

NOTE: Compatible with 1 3/8" and 1 3/4" thick doors. QUICKSHIP PASS and PRIV sets shipped after 2/1/2025 include a 2 3/8" and 2 3/4" adjustable backset latch, full lip strike, t-strike, universal dust box, and pre-bore adaptor. QUICKSHIP LEGACY PASS and PRIV functions include a 2 3/8" backset latch and a full lip strike. See 2 3/4" latch options on page 64. See T-Strike options on page 67.

A La Carte

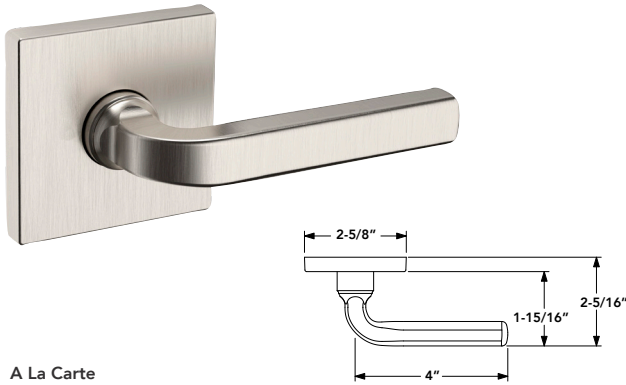
Finish: 003, 031, 033, 044, 050, 055, 056, 060, 076, 102, 112, 190, 260, 402

Item #	Description	Wt.	Price
5173.xxx.MR	Minus Roses – pair	2.0	\$262
5173.xxx.RMR (.LMR)	Right (Left) Minus Rose – half pair	1.0	\$131
5173.xxx.MRPN	Minus Roses – pair (PINNED)		\$341

NOTE: Recommend pairing this lever with our 6507.004 adaptor for 2 1/8" pre-bore doors, or 6511.004 adaptor for 1 1/2" small bore doors. Both are found on page 66.
A La Carte Rosettes are found on pages 54-63, latches are on page 64.

5190 Lever

Pre-Configured w/ R017 Rose 



A La Carte



Pre-Configured

Finish: 003, 031, 033, 044, 055, 056, 076, 102, 112, 190, 260

Item #	Description	Price
5190.xxx.FD	Full Dummy	\$324
5190.xxx.RDM (LDM)	Right (Left) Hand Half Dummy	\$162
5190.xxx.PASS	Passage	\$405
5190.xxx.PRIV	Privacy	

NOTE: Compatible with 1 3/8" and 1 3/4" thick doors. QUICKSHIP PASS and PRIV sets shipped after 2/1/2025 include a 2 3/8" and 2 3/4" adjustable backset latch, full lip strike, t-strike, universal dust box, and pre-bore adaptor. QUICKSHIP LEGACY PASS and PRIV functions include a 2 3/8" backset latch and a full lip strike. See 2 3/4" latch options on page 64. See T-Strike options on page 67.

A La Carte

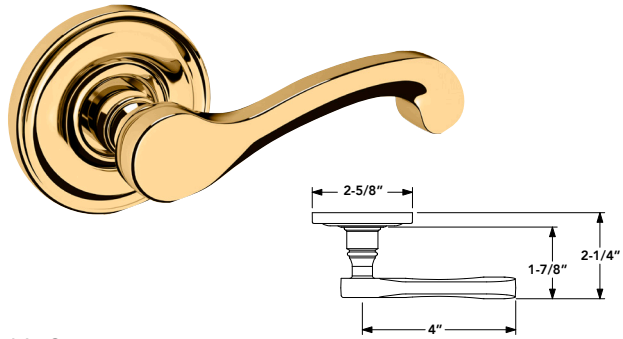
Finish: 003, 031, 033, 044, 050, 055, 056, 060, 076, 102, 112, 190, 260, 402

Item #	Description	Wt.	Price
5190.xxx.MR	Minus Roses – pair	2.3	\$262
5190.xxx.RMR (.LMR)	Right (Left) Minus Rose – half pair	1.2	\$131
5190.xxx.MRPN	Minus Roses – pair (PINNED)	2.3	\$341

NOTE: Recommend pairing this lever with our 6507.004 adaptor for 2 1/8" pre-bore doors, or 6511.004 adaptor for 1 1/2" small bore doors. Both are found on page 66. **A La Carte Rosettes are found on pages 54-63, latches are on page 64.**

5445V Classic Lever

Pre-Configured w/ 5048 Rose 



A La Carte



Pre-Configured

Finish: 003, 031, 033, 044, 055, 056, 076, 102, 112, 190, 260

Item #	Description	Price
5455V.xxx.FD	Full Dummy	\$274
5455V.xxx.RDM (LDM)	Right (Left) Hand Half Dummy	\$137
5455V.xxx.PASS	Passage	\$343
5455V.xxx.PRIV	Privacy	

NOTE: Compatible with 1 3/8" and 1 3/4" thick doors. QUICKSHIP PASS and PRIV sets shipped after 2/1/2025 include a 2 3/8" and 2 3/4" adjustable backset latch, full lip strike, t-strike, universal dust box, and pre-bore adaptor. QUICKSHIP LEGACY PASS and PRIV functions include a 2 3/8" backset latch and a full lip strike. See 2 3/4" latch options on page 64. See T-Strike options on page 67.

A La Carte

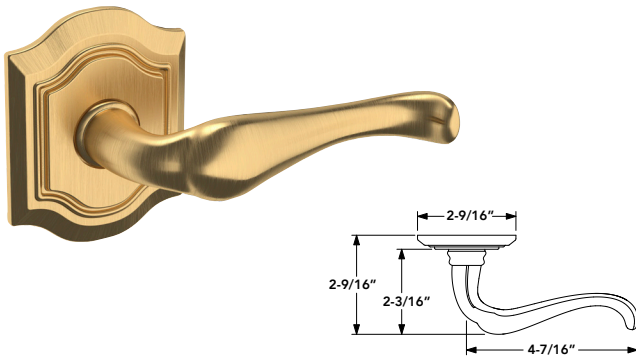
Finish: 003, 031, 033, 044, 050, 055, 056, 060, 076, 102, 112, 190, 260, 402

Item #	Description	Wt.	Price
5445V.xxx.MR	Minus Roses – pair	1.5	\$210
5445V.xxx.RMR (.LMR)	Minus Roses – half pair	.75	\$105
5445V.xxx.MRPN	Minus Roses – pair (PINNED)		\$273

NOTE: Recommend pairing this lever with our 6507.004 adaptor for 2 1/8" pre-bore doors, or 6511.004 adaptor for 1 1/2" small bore doors. Both are found on page 66. **A La Carte Rosettes are found on pages 54-63, latches are on page 64.**

5447V Bethpage Lever

Pre-Configured w/ R027 Rose 



A La Carte



Pre-Configured

Finish: 003, 031, 033, 044, 055, 056, 076, 102, 112, 190, 260

Item #	Description	Price
5447V.xxx.FD	Full Dummy	\$274
5447V.xxx.RDM (LDM)	Right (Left) Hand Half Dummy	\$137
5447V.xxx.PASS	Passage	\$343
5447V.xxx.PRIV	Privacy	

NOTE: Compatible with 1 3/8" and 1 3/4" thick doors. QUICKSHIP PASS and PRIV sets shipped after 2/1/2025 include a 2 3/8" and 2 3/4" adjustable backset latch, full lip strike, t-strike, universal dust box, and pre-bore adaptor. QUICKSHIP LEGACY PASS and PRIV functions include a 2 3/8" backset latch and a full lip strike. See 2 3/4" latch options on page 64. See T-Strike options on page 67.

A La Carte

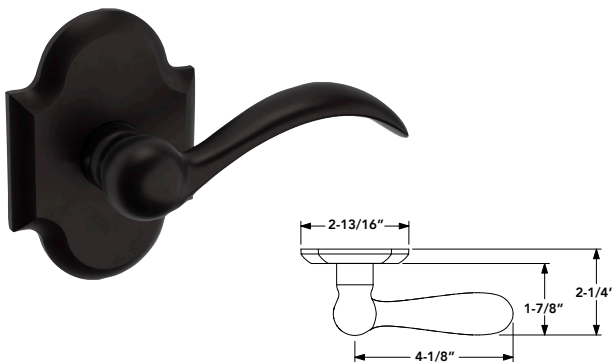
Finish: 003, 031, 033, 044, 050, 055, 056, 060, 076, 102, 112, 190, 260, 402

Item #	Description	Wt.	Price
5447V.xxx.MR	Minus Roses – pair	1.5	\$210
5447V.xxx.RMR (LMR)	Minus Roses – half pair	.75	\$105
5447V.xxx.MRPN	Minus Roses – pair (PINNED)		\$273

NOTE: Recommend pairing this lever with our 6507.004 adaptor for 2 1/8" pre-bore doors, or 6511.004 adaptor for 1 1/2" small bore doors. Both are found on page 66. **A La Carte Rosettes are found on pages 54-63, latches are on page 64.**

5452V Beavertail Lever

Pre-Configured w/ R030 Rose 



A La Carte



Pre-Configured

Finish: 102, 112, 190, 402

Item #	Description	Price
5452V.xxx.FD	Full Dummy	\$274
5452V.xxx.RDM (LDM)	Right (Left) Hand Half Dummy	\$137
5452V.xxx.PASS	Passage	\$343
5452V.xxx.PRIV	Privacy	

NOTE: Compatible with 1 3/8" and 1 3/4" thick doors. QUICKSHIP PASS and PRIV sets shipped after 2/1/2025 include a 2 3/8" and 2 3/4" adjustable backset latch, full lip strike, t-strike, universal dust box, and pre-bore adaptor. QUICKSHIP LEGACY PASS and PRIV functions include a 2 3/8" backset latch and a full lip strike. See 2 3/4" latch options on page 64. See T-Strike options on page 67.

A La Carte

Finish: 003, 031, 033, 044, 050, 055, 056, 060, 076, 102, 112, 190, 260, 402

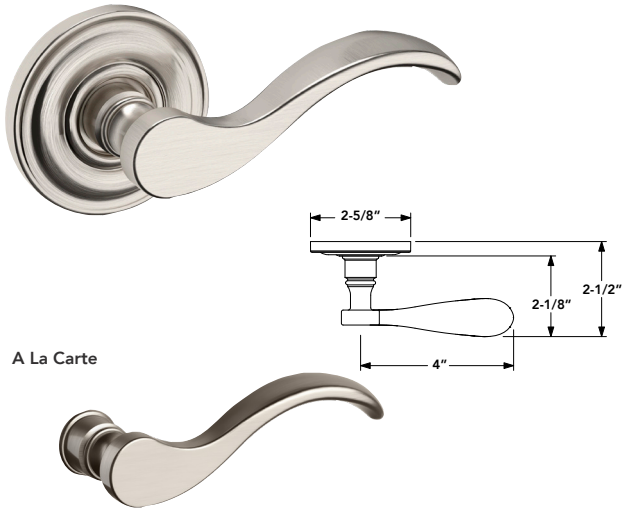
Item #	Description	Wt.	Price
5452V.xxx.MR	Minus Roses – pair	1.5	\$210
5452V.xxx.RMR (LMR)	Minus Roses – half pair	.75	\$105
5452V.xxx.MRPN	Minus Roses – pair (PINNED)		\$273

NOTE: Recommend pairing this lever with our 6507.004 adaptor for 2 1/8" pre-bore doors, or 6511.004 adaptor for 1 1/2" small bore doors. Both are found on page 66. **A La Carte Rosettes are found on pages 54-63, latches are on page 64.**

KNOBS & LEVERS | LEVERS

5455V Wave Lever

Pre-Configured w/ 5048 Rose 



Pre-Configured

Finish: 003, 031, 033, 044, 055, 056, 076, 102, 112, 190, 260

Item #	Description	Price
5455V.xxx.FD	Full Dummy	\$274
5455V.xxx.RDM (LDM)	Right (Left) Hand Half Dummy	\$137
5455V.xxx.PASS	Passage	\$343
5455V.xxx.PRIV	Privacy	

NOTE: Compatible with 1 3/8" and 1 3/4" thick doors. QUICKSHIP PASS and PRIV sets shipped after 2/1/2025 include a 2 3/8" and 2 3/4" adjustable backset latch, full lip strike, t-strike, universal dust box, and pre-bore adaptor. QUICKSHIP LEGACY PASS and PRIV functions include a 2 3/8" backset latch and a full lip strike. See 2 3/4" latch options on page 64. See T-Strike options on page 67.

A La Carte

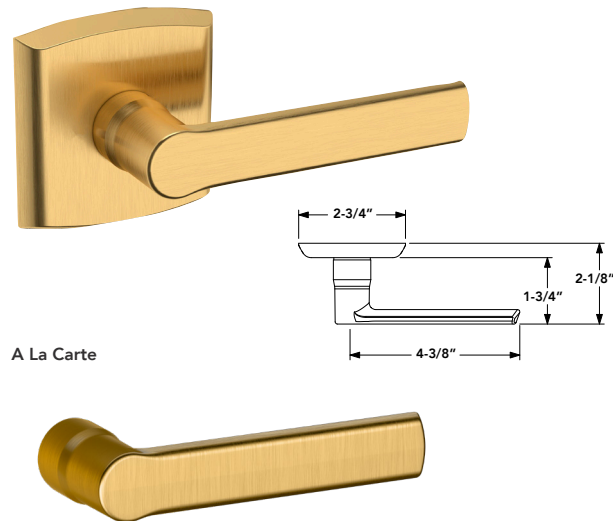
Finish: 003, 031, 033, 044, 050, 055, 056, 060, 076, 102, 112, 190, 260, 402

Item #	Description	Wt.	Price
5455V.xxx.MR	Minus Roses – pair	1.5	\$210
5455V.xxx.RMR (LMR)	Minus Roses – half pair	.75	\$105
5455V.xxx.MRPN	Minus Roses – pair (PINNED)		\$273

NOTE: Recommend pairing this lever with our 6507.004 adaptor for 2 1/8" pre-bore doors, or 6511.004 adaptor for 1 1/2" small bore doors. Both are found on page 66. **A La Carte Rosettes are found on pages 54-63, latches are on page 64.**

5485V Soho Lever

Pre-Configured w/ R026 Rose 



Pre-Configured

Finish: 044, 055, 056, 076, 102, 112, 190, 260

Item #	Description	Price
5485V.xxx.FD	Full Dummy	\$274
5485V.xxx.RDM (LDM)	Right (Left) Hand Half Dummy	\$137
5485V.xxx.PASS	Passage	\$343
5485V.xxx.PRIV	Privacy	

NOTE: Compatible with 1 3/8" and 1 3/4" thick doors. QUICKSHIP PASS and PRIV sets shipped after 2/1/2025 include a 2 3/8" and 2 3/4" adjustable backset latch, full lip strike, t-strike, universal dust box, and pre-bore adaptor. QUICKSHIP LEGACY PASS and PRIV functions include a 2 3/8" backset latch and a full lip strike. See 2 3/4" latch options on page 64. See T-Strike options on page 67.

A La Carte

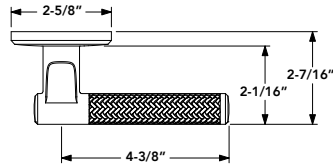
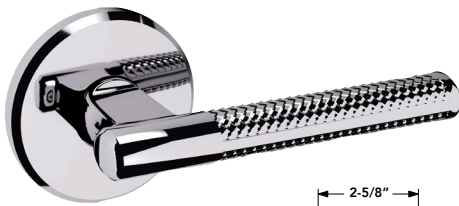
Finish: 003, 031, 033, 044, 050, 055, 056, 060, 076, 102, 112, 190, 260, 402

Item #	Description	Wt.	Price
5485V.xxx.MR	Minus Roses – pair	1.5	\$210
5485V.xxx.RMR (LMR)	Minus Roses – half pair	.75	\$105
5485V.xxx.MRPN	Minus Roses – pair (PINNED)		\$273

NOTE: Recommend pairing this lever with our 6507.004 adaptor for 2 1/8" pre-bore doors, or 6511.004 adaptor for 1 1/2" small bore doors. Both are found on page 66. **A La Carte Rosettes are found on pages 54-63, latches are on page 64.**

L015 Lever

Pre-Configured w/ R016 Rose 



A La Carte



Pre-Configured

Finish: 044, 055, 056, 076, 102, 112, 190, 260

Item #	Description	Price
L015.xxx.FD	Full Dummy	\$346
L015.xxx.RDM (LDM)	Right (Left) Hand Half Dummy	\$173
L015.xxx.PASS	Passage	\$433
L015.xxx.PRIV	Privacy	

NOTE: Compatible with 1 3/8" and 1 3/4" thick doors. QUICKSHIP PASS and PRIV sets shipped after 2/1/2025 include a 2 3/8" and 2 3/4" adjustable backset latch, full lip strike, t-strike, universal dust box, and pre-bore adaptor. QUICKSHIP LEGACY PASS and PRIV functions include a 2 3/8" backset latch and a full lip strike. See 2 3/4" latch options on page 64. See T-Strike options on page 67.

A La Carte

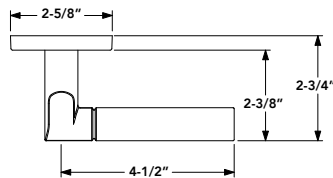
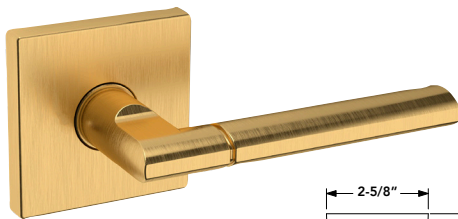
Finish: 003, 031, 033, 044, 050, 055, 056, 060, 076, 102, 112, 190, 260, 402

Item #	Description	Wt.	Price
L015.xxx.MR	Minus Roses – pair	1.65	\$290
L015.xxx.RMR (.LMR)	Right (Left) Minus Rose – half pair	.78	\$145
L015.xxx.MRPN	Minus Roses - pair (PINNED)	1.65	\$377

NOTE: Recommend pairing this lever with our 6507.004 adaptor for 2 1/8" pre-bore doors, or 6511.004 adaptor for 1 1/2" small bore doors. Both are found on page 66. **A La Carte Rosettes are found on pages 54-63, latches are on page 64.**

L021 Lever

Pre-Configured w/ R017 Rose 



A La Carte



Pre-Configured

Finish: 044, 055, 056, 076, 102, 112, 190, 260

Item #	Description	Price
L021.xxx.FD	Full Dummy	\$324
L021.xxx.RDM (LDM)	Right (Left) Hand Half Dummy	\$162
L021.xxx.PASS	Passage	\$405
L021.xxx.PRIV	Privacy	

NOTE: Compatible with 1 3/8" and 1 3/4" thick doors. QUICKSHIP PASS and PRIV sets shipped after 2/1/2025 include a 2 3/8" and 2 3/4" adjustable backset latch, full lip strike, t-strike, universal dust box, and pre-bore adaptor. QUICKSHIP LEGACY PASS and PRIV functions include a 2 3/8" backset latch and a full lip strike. See 2 3/4" latch options on page 64. See T-Strike options on page 67.

A La Carte

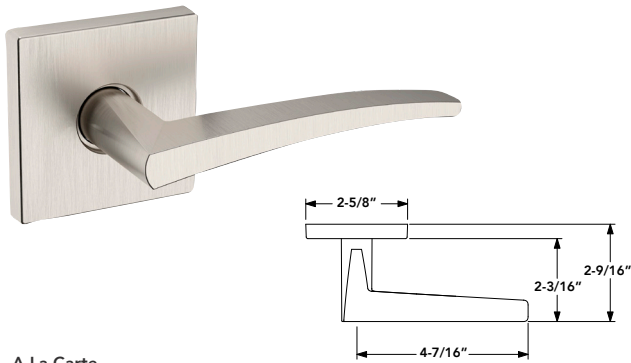
Finish: 003, 031, 033, 044, 050, 055, 056, 060, 076, 102, 112, 190, 260, 402

Item #	Description	Wt.	Price
L021.xxx.MR	Minus Roses – pair	1.7	\$262
L021.xxx.RMR (.LMR)	Right (Left) Minus Rose – half pair	9	\$131
L021.xxx.MRPN	Minus Roses - pair (PINNED)		\$341

NOTE: Recommend pairing this lever with our 6507.004 adaptor for 2 1/8" pre-bore doors, or 6511.004 adaptor for 1 1/2" small bore doors. Both are found on page 66. **A La Carte Rosettes are found on pages 54-63, latches are on page 64.**

L022 Lever

Pre-Configured w/ R017 Rose 



A La Carte



Pre-Configured

Finish: 044, 055, 056, 076, 102, 112, 190, 260

Item #	Description	Price
L022.xxx.FD	Full Dummy	\$324
L022.xxx.RDM	Right (Left) Hand Half Dummy	\$162
L022.xxx.PASS	Passage	\$405
L022.xxx.PRIV	Privacy	

NOTE: Compatible with 1 3/8" and 1 3/4" thick doors. QUICKSHIP PASS and PRIV sets shipped after 2/1/2025 include a 2 3/8" and 2 3/4" adjustable backset latch, full lip strike, t-strike, universal dust box, and pre-bore adaptor. QUICKSHIP LEGACY PASS and PRIV functions include a 2 3/8" backset latch and a full lip strike. See 2 3/4" latch options on page 64. See T-Strike options on page 67.

A La Carte

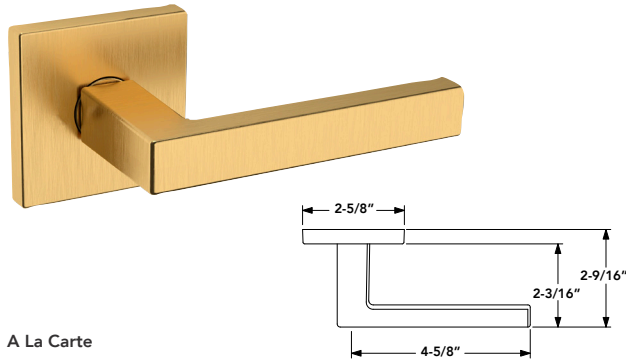
Finish: 003, 031, 033, 044, 050, 055, 056, 060, 076, 102, 112, 190, 260, 402

Item #	Description	Wt.	Price
L022.xxx.MR	Minus Roses – pair	1.2	\$262
L022.xxx.RMR (.LMR)	Right (Left) Minus Rose – half pair	.65	\$131
L022.xxx.MRPN	Minus Roses – pair (PINNED)		\$341

NOTE: Recommend pairing this lever with our 6507.004 adaptor for 2 1/8" pre-bore doors, or 6511.004 adaptor for 1 1/2" small bore doors. Both are found on page 66. A La Carte Rosettes are found on pages 54-63, latches are on page 64.

L023 Lever

Pre-Configured w/ R017 Rose 



A La Carte



Pre-Configured

Finish: 044, 055, 056, 076, 102, 112, 190, 260

Item #	Description	Price
L023.xxx.FD	Full Dummy	\$346
L023.xxx.RDM (.LDM)	Right (Left) Hand Half Dummy	\$173
L023.xxx.PASS	Passage	\$433
L023.xxx.PRIV	Privacy	

NOTE: Compatible with 1 3/8" and 1 3/4" thick doors. QUICKSHIP PASS and PRIV sets shipped after 2/1/2025 include a 2 3/8" and 2 3/4" adjustable backset latch, full lip strike, t-strike, universal dust box, and pre-bore adaptor. QUICKSHIP LEGACY PASS and PRIV functions include a 2 3/8" backset latch and a full lip strike. See 2 3/4" latch options on page 64. See T-Strike options on page 67.

A La Carte

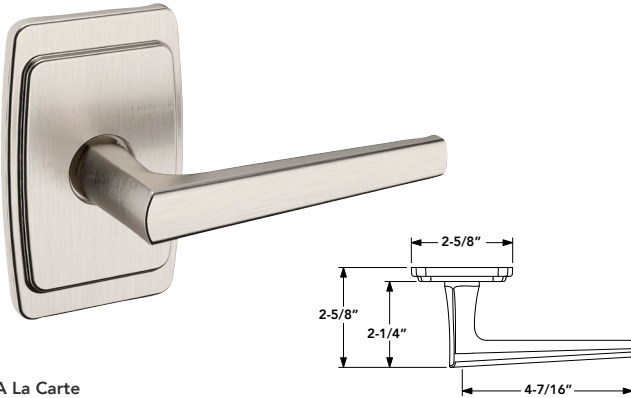
Finish: 003, 031, 033, 044, 050, 055, 056, 060, 076, 102, 112, 190, 260, 402

Item #	Description	Wt.	Price
L023.xxx.MR	Minus Roses – pair	2.0	\$290
L023.xxx.RMR (.LMR)	Right (Left) Minus Rose – half pair	1.05	\$145
L023.xxx.MRPN	Minus Roses – pair (PINNED)		\$377

NOTE: Recommend pairing this lever with our 6507.004 adaptor for 2 1/8" pre-bore doors, or 6511.004 adaptor for 1 1/2" small bore doors. Both are found on page 66. A La Carte Rosettes are found on pages 54-63, latches are on page 64.

L024 Palm Springs Lever

Pre-Configured w/ R046 Rose 



A La Carte



Pre-Configured

Finish: 003, 031, 033, 044, 055, 056, 076, 102, 112, 190, 260

Item #	Description	Price
L024.xxx.FD	Full Dummy	\$346
L024.xxx.RDM (LDM)	Right (Left) Hand Half Dummy	\$173
L024.xxx.PASS	Passage	\$433
L024.xxx.PRIV	Privacy	\$433

NOTE: Compatible with 1 3/8" and 1 3/4" thick doors. QUICKSHIP PASS and PRIV sets shipped after 2/1/2025 include a 2 3/8" and 2 3/4" adjustable backset latch, full lip strike, t-strike, universal dust box, and pre-bore adaptor. QUICKSHIP LEGACY PASS and PRIV functions include a 2 3/8" backset latch and a full lip strike. See 2 3/4" latch options on page 64. See T-Strike options on page 67.

A La Carte

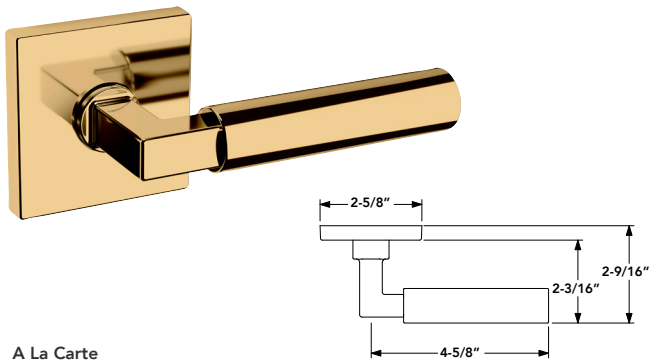
Finish: 003, 031, 033, 044, 050, 055, 056, 060, 076, 102, 112, 190, 260, 402

Item #	Description	Wt.	Price
L024.xxx.MR	Minus Roses – pair	1.5	\$290
L024.xxx.RMR (.LMR)	Right (Left) Minus Rose – half pair	.75	\$145
L024.xxx.MRPN	Minus Roses – pair (PINNED)		\$377

NOTE: Recommend pairing this lever with our 6507.004 adaptor for 2 1/8" pre-bore doors, or 6511.004 adaptor for 1 1/2" small bore doors. Both are found on page 66. **A La Carte Rosettes are found on pages 54-63, latches are on page 64.**

L029 Gramercy Lever

Pre-Configured w/ R017 Rose 



A La Carte



Pre-Configured

Finish: 003, 031, 033, 044, 055, 056, 076, 102, 112, 190, 260

Item #	Description	Price
L029.xxx.FD	Full Dummy	\$346
L029.xxx.RDM (LDM)	RIGHT Hand Half Dummy	\$173
L029.xxx.PASS	Passage	\$433
L029.xxx.PRIV	Privacy	\$433

NOTE: Compatible with 1 3/8" and 1 3/4" thick doors. QUICKSHIP PASS and PRIV sets shipped after 2/1/2025 include a 2 3/8" and 2 3/4" adjustable backset latch, full lip strike, t-strike, universal dust box, and pre-bore adaptor. QUICKSHIP LEGACY PASS and PRIV functions include a 2 3/8" backset latch and a full lip strike. See 2 3/4" latch options on page 64. See T-Strike options on page 67.

A La Carte

Finish: 003, 031, 033, 044, 050, 055, 056, 060, 076, 102, 112, 190, 260, 402

Item #	Description	Wt.	Price
L029.xxx.MR	Minus Roses – pair	1.2	\$290
L029.xxx.RMR (.LMR)	Right (Left) Minus Rose – half pair	.6	\$145
L029.xxx.MRPN	Minus Roses - pair (PINNED)	1.2	\$377

NOTE: Recommend pairing this lever with our 6507.004 adaptor for 2 1/8" pre-bore doors, or 6511.004 adaptor for 1 1/2" small bore doors. Both are found on page 66. **A La Carte Rosettes are found on pages 54-63, latches are on page 64.**

L029 Gramercy Mixed Metal Lever

A La Carte



A La Carte

Finish: M01, M02, M03, M04, M05, M06, M07, M08, M09, M10

Item #	Description	Wt.	Price
L029.xxx.MR	Minus Roses – pair	1.2	\$305
L029.xxx.RMR (.LMR)	Right (Left) Minus Rose – half pair	.6	\$153
L029.xxx.MRPN	Minus Roses – pair (PINNED)		\$397

NOTE: Recommend pairing this lever with our 6507.004 adaptor for 2 1/8" pre-bore doors, or 6511.004 adaptor for 1 1/2" small bore doors. Both are found on page 66.
A La Carte Rosettes are found on pages 54-63, latches are on page 64.

L030 Gramercy Knurled Lever

A La Carte



A La Carte

Finish: 003, 031, 033, 044, 050, 055, 056, 060, 076, 102, 112, 190, 260, 402

Item #	Description	Wt.	Price
L030.xxx.MR	Minus Roses - pair	1.7	\$305
L030.xxx.RMR (.LMR)	Right (Left) Minus Rose - half pair	0.85	\$153
L030.xxx.MRPN	Minus Roses – pair (PINNED)		\$397

NOTE: Recommend pairing this lever with our 6507.004 adaptor for 2 1/8" pre-bore doors, or 6511.004 adaptor for 1 1/2" small bore doors. Both are found on page 66.
A La Carte Rosettes are found on pages 54-63, latches are on page 64.

L030 Gramercy Knurled Mixed Metal Lever

A La Carte

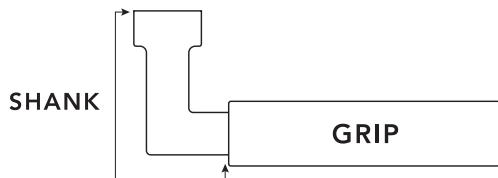


A La Carte

Finish: M01, M02, M03, M04, M05, M06, M07, M08, M09, M10

Item #	Description	Wt.	Price
L030.xxx.MR	Minus Roses - pair	1.7	\$320
L030.xxx.RMR (.LMR)	Right (Left) Minus Rose - half pair	0.85	\$160
L030.xxx.MRPN	Minus Roses – pair (PINNED)		\$416

NOTE: Recommend pairing this lever with our 6507.004 adaptor for 2 1/8" pre-bore doors, or 6511.004 adaptor for 1 1/2" small bore doors. Both are found on page 66.
A La Carte Rosettes are found on pages 54-63, latches are on page 64.



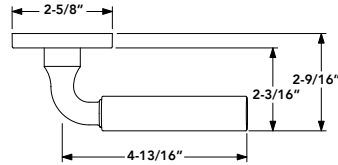
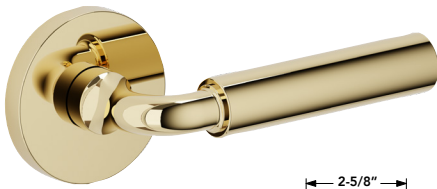
Mixed Metal Levers

Finish Code	Mixed Metal Finish
M01	055 Shank x 190 Grip
M02	190 Shank x 055 Grip
M03	044 Shank x 190 Grip
M04	190 Shank x 044 Grip
M05	056 Shank x 190 Grip
M06	190 Shank x 056 Grip
M07	190 Shank x 031 Grip
M08	031 Shank x 190 Grip
M09	056 Shank x 055 Grip
M10	055 Shank x 056 Grip

NEW

L031 Gramercy Curved Lever

Pre-Configured w/ 5046 Rose 



A La Carte



Pre-Configured

Finish: 003, 031, 033, 044, 055, 056, 076, 102, 112, 190, 260

Item #	Description	Price
L031.xxx.FD	Full Dummy	\$346
L031.xxx.RDM (LDM)	Right (Left) Hand Half Dummy	\$173
L031.xxx.PASS	Passage	\$433
L031.xxx.PRIV	Privacy	\$433

NOTE: Compatible with 1 3/8" and 1 3/4" thick doors. QUICKSHIP PASS and PRIV sets shipped after 2/1/2025 include a 2 3/8" and 2 3/4" adjustable backset latch, full lip strike, t-strike, universal dust box, and pre-bore adaptor. QUICKSHIP LEGACY PASS and PRIV functions include a 2 3/8" backset latch and a full lip strike. See 2 3/4" latch options on page 64. See T-Strike options on page 67.

A La Carte

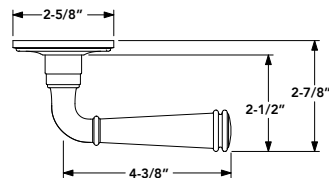
Finish: 003, 031, 033, 044, 050, 055, 056, 060, 076, 102, 112, 190, 260, 402

Item #	Description	Wt.	Price
L031.xxx.MR	Minus Roses – pair	1.6	\$290
L031.xxx.RMR (.LMR)	Right (Left) Minus Rose – half pair	.9	\$145
L031.xxx.MRPN	Minus Roses – pair (PINNED)	1.6	\$377

NOTE: Recommend pairing this lever with our 6507.004 adaptor for 2 1/8" pre-bore doors, or 6511.004 adaptor for 1 1/2" small bore doors. Both are found on page 66. **A La Carte Rosettes are found on pages 54-63, latches are on page 64.**

L033 Briarcrest Lever

Pre-Configured w/ 5070 Rose 



A La Carte



NEW

Pre-Configured

Finish: 003, 031, 033, 044, 055, 056, 076, 102, 112, 190, 260

Item #	Description	Price
L033.xxx.FD	Full Dummy	\$346
L033.xxx.RDM (LDM)	Right (Left) Hand Half Dummy	\$173
L033.xxx.PASS	Passage	\$433
L033.xxx.PRIV	Privacy	\$433

NOTE: Compatible with 1 3/8" and 1 3/4" thick doors. QUICKSHIP PASS and PRIV sets shipped after 2/1/2025 include a 2 3/8" and 2 3/4" adjustable backset latch, full lip strike, t-strike, universal dust box, and pre-bore adaptor. QUICKSHIP LEGACY PASS and PRIV functions include a 2 3/8" backset latch and a full lip strike. See 2 3/4" latch options on page 64. See T-Strike options on page 67.

A La Carte

Finish: 003, 031, 033, 044, 050, 055, 056, 060, 076, 102, 112, 190, 260, 402

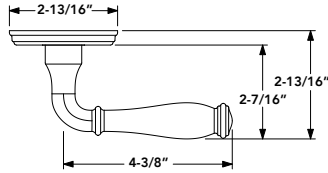
Item #	Description	Wt.	Price
L033.xxx.MR	Minus Roses – pair	1.7	\$290
L033.xxx.RMR (.LMR)	Right (Left) Minus Rose – half pair	.9	\$145
L033.xxx.MRPN	Minus Roses – pair (PINNED)	1.7	\$377

NOTE: Recommend pairing this lever with our 6507.004 adaptor for 2 1/8" pre-bore doors, or 6511.004 adaptor for 1 1/2" small bore doors. Both are found on page 66. **A La Carte Rosettes are found on pages 54-63, latches are on page 64.**

L034 Nashville Lever

NEW

Pre-Configured w/ 5078 Rose 



A La Carte



Pre-Configured

Finish: 003, 031, 033, 044, 055, 056, 076, 102, 112, 190, 260

Item #	Description	Price
L034.xxx.FD	Full Dummy	\$346
L034.xxx.RDM (.LDM)	Right (Left) Hand Half Dummy	\$173
L034.xxx.PASS	Passage	\$433
L034.xxx.PRIV	Privacy	\$433

NOTE: Compatible with 1 3/8" and 1 3/4" thick doors. QUICKSHIP PASS and PRIV sets shipped after 2/1/2025 include a 2 3/8" and 2 3/4" adjustable backset latch, full lip strike, t-strike, universal dust box, and pre-bore adaptor. QUICKSHIP LEGACY PASS and PRIV functions include a 2 3/8" backset latch and a full lip strike. See 2 3/4" latch options on page 64. See T-Strike options on page 67.

A La Carte

Finish: 003, 031, 033, 044, 050, 055, 056, 060, 076, 102, 112, 190, 260, 402

Item #	Description	Wt.	Price
L034.xxx.MR	Minus Roses – pair	1.7	\$290
L034.xxx.RMR (.LMR)	Right (Left) Minus Rose – half pair	.9	\$173
L034.xxx.MRPN	Minus Roses – pair (PINNED)	1.7	\$433

NOTE: Recommend pairing this lever with our 6507.004 adaptor for 2 1/8" pre-bore doors, or 6511.004 adaptor for 1 1/2" small bore doors. Both are found on page 66. **A La Carte Rosettes are found on pages 54-63, latches are on page 64.**

A LA CARTE

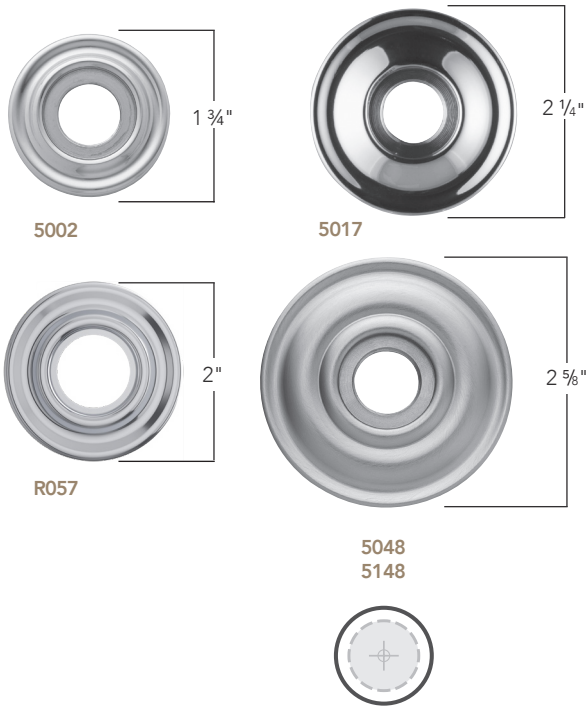




This symbol signifies that the rose covers a 2.125" hole on a pre-bored door.

A LA CARTE
COMPONENTS

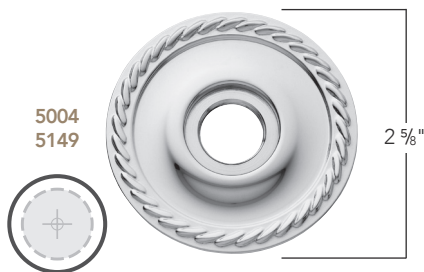
5002, 5017, 5048, 5148 Rosettes



Finish: 003, 031, 033, 044, 050, 055, 056, 060, 076, 102, 112, 190, 260, 402

Item #	Description	Wt.	Price
5002.xxx	1 3/4" Passage – pair	0.2	\$84
5002.xxx.FD	1 3/4" Dummy – pair	0.2	\$84
5002.xxx.l	1 3/4" Passage – half pair	0.1	\$42
5002.xxx.IDM	1 3/4" Dummy – half pair	0.1	\$42
5017.xxx	1 3/4" Passage – pair	0.4	\$90
5017.xxx.FD	2 1/4" Dummy – pair	0.4	\$90
5017.xxx.PV	2 1/4" Privacy - pair	0.4	\$90
5017.xxx.l	2 1/4" Passage – half pair	0.2	\$46
5017.xxx.IDM	2 1/4" Dummy – half pair	0.2	\$46
5017.xxx.IPV	2 1/4" Privacy – half pair	0.2	\$46
5048.xxx	2 5/8" Passage – pair	0.8	\$100
5048.xxx.FD	2 5/8" Dummy – pair	0.8	\$100
5048.xxx.l	2 5/8" Passage – half pair	0.4	\$54
5048.xxx.IDM	2 5/8" Dummy – half pair	0.4	\$54
5148.xxx	2 5/8" Privacy – pair*	0.8	\$100
5148.xxx.l	2 5/8" Privacy – half pair*	0.4	\$54
NEW			
R057.xxx.PS	2" Passage - pair	0.4	\$94
R057.xxx.FD	2" Dummy - pair	0.2	\$94
R057.xxx.iPS	2" Passage - half pair	0.4	\$48
R057.xxx.IDM	2" Dummy - half pair	0.2	\$48
R057.xxx.PV	2" Privacy - pair	0.4	\$94
R057.xxx.iPV	2" Privacy - half pair	0.2	\$48

5004, 5149 Rosettes

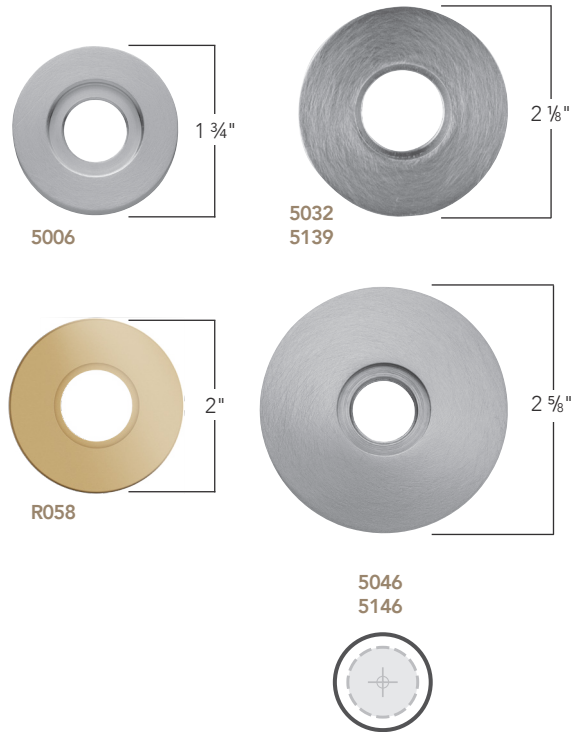


Finish: 003, 031, 033, 044, 050, 055, 056, 060, 076, 102, 112, 190, 260, 402

Item #	Description	Wt.	Price
5004.xxx	2 5/8" Passage – pair	0.8	\$100
5004.xxx.FD	2 5/8" Dummy – pair	0.8	\$100
5004.xxx.l	2 5/8" Passage – half pair	0.4	\$54
5004.xxx.IDM	2 5/8" Dummy – half pair	0.4	\$54
5149.xxx	2 5/8" Privacy – pair*	0.8	\$100
5149.xxx.l	2 5/8" Privacy – half pair*	0.4	\$54

Roses include the necessary backplate based on the application, but the *2.625" diameter or larger privacy roses do NOT include 5097 Active backplates.

5006, 5032, 5139, 5046, 5146 Rosettes



Finish: 003, 031, 033, 044, 050, 055, 056, 060, 076, 102, 112, 190, 260, 402

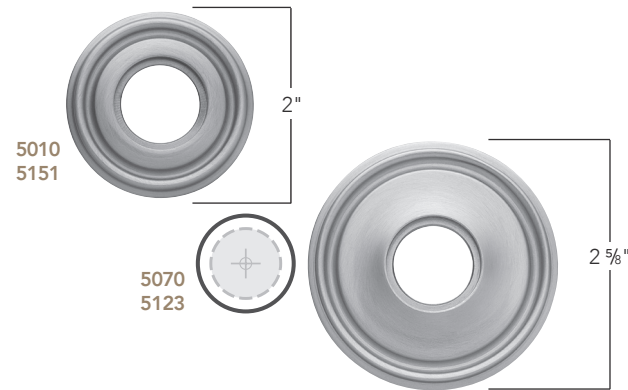
Item #	Description	Wt.	Price
5006.xxx	1 3/4" Passage – pair	0.3	\$84
5006.xxx.FD	1 3/4" Dummy – pair	0.3	\$84
5006.xxx.l	1 3/4" Passage – half pair	0.15	\$42
5006.xxx.IDM	1 3/4" Passage – half pair	0.15	\$42
5032.xxx	2 1/8" Passage – pair	0.4	\$90
5032.xxx.FD	2 1/8" Dummy – pair	0.4	\$90
5032.xxx.l	2 1/8" Passage – half pair z	0.2	\$46
5032.xxx.IDM	2 1/8" Dummy – half pair	0.2	\$46
5139.xxx	2 1/8" Privacy – pair	0.4	\$90
5139.xxx.l	2 1/8" Privacy – half pair	0.2	\$46
5046.xxx	2 5/8" Passage – pair	0.8	\$100
5046.xxx.FD	2 5/8" Dummy – pair	0.8	\$100
5046.xxx.l	2 5/8" Passage – half pair	0.4	\$54
5046.xxx.IDM	2 5/8" Dummy – half pair	0.4	\$54
5146.xxx	2 5/8" Privacy – pair*	0.8	\$100
5146.xxx.l	2 5/8" Privacy – half pair*	0.4	\$54

NEW

Finish: 003, 031, 033, 044, 050, 055, 056, 060, 076, 102, 112, 190, 260, 402

Item #	Description	Wt.	Price
R058.xxx.PS	2" Passage - pair	0.5	\$94
R058.xxx.FD	2" Dummy - pair	0.6	\$94
R058.xxx.IPS	2" Passage - half pair	0.5	\$48
R058.xxx.IDM	2" Dummy - half pair	0.3	\$48
R058.xxx.PV	2" Privacy - pair	0.5	\$94
R058.xxx.IPV	2" Privacy - half pair	0.3	\$48

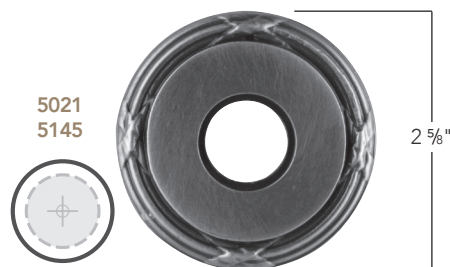
5010, 5151, 5070, 5123 Rosettes



Finish: 003, 031, 033, 044, 050, 055, 056, 060, 076, 102, 112, 190, 260, 402

Item #	Description	Wt.	Price
5010.xxx	2" Passage – pair	0.4	\$94
5010.xxx.FD	2" Dummy – pair	0.4	\$94
5010.xxx.l	2" Passage – half pair	0.2	\$48
5010.xxx.IDM	2" Dummy – half pair	0.2	\$48
5151.xxx	2" Privacy – pair	0.4	\$94
5151.xxx.l	2" Privacy – half pair	0.2	\$48
5070.xxx	2 5/8" Passage – pair	0.8	\$100
5070.xxx.FD	2 5/8" Dummy – pair	0.8	\$100
5070.xxx.l	2 5/8" Passage – half pair	0.4	\$54
5070.xxx.IDM	2 5/8" Dummy – half pair	0.4	\$54
5123.xxx	2 5/8" Privacy – pair*	0.8	\$100
5123.xxx.l	2 5/8" Privacy – half pair*	0.4	\$54

5021, 5145 Rosettes

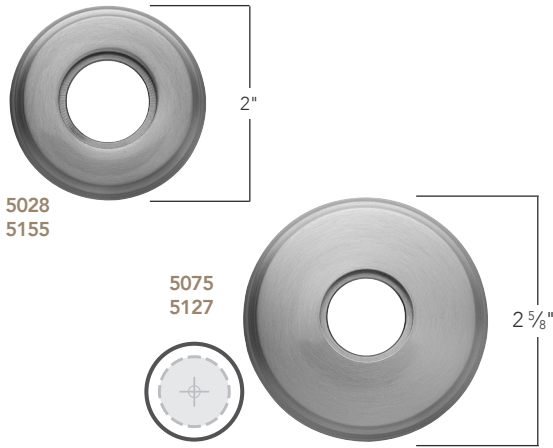


Finish: 003, 031, 033, 044, 050, 055, 056, 060, 076, 102, 112, 190, 260, 402

Item #	Description	Wt.	Price
5021.xxx	2 5/8" Passage – pair	0.8	\$100
5021.xxx.FD	2 5/8" Dummy – pair	0.8	\$100
5021.xxx.l	2 5/8" Passage – half pair	0.4	\$54
5021.xxx.IDM	2 5/8" Dummy – half pair	0.4	\$54
5145.xxx	2 5/8" Privacy – pair*	0.8	\$100
5145.xxx.l	2 5/8" Privacy – half pair*	0.4	\$54

Roses include the necessary backplate based on the application, but the *2.625" diameter or larger privacy roses do NOT include 5097 Active backplates.

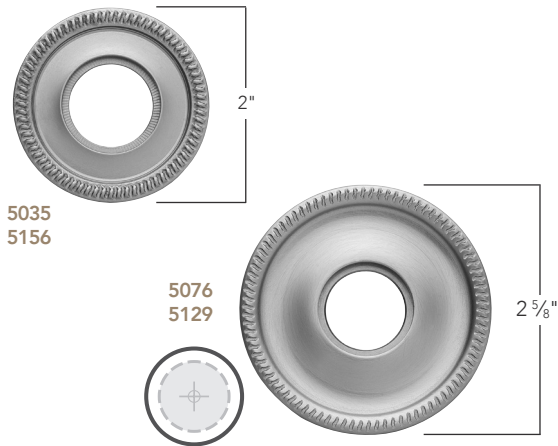
5028, 5075, 5127, 5155 Rosettes



Finish: 003, 031, 033, 044, 050, 055, 056, 060, 076, 102, 112, 190, 260, 402

Item #	Description	Wt.	Price
5028.xxx	2" Passage – pair	0.4	\$94
5028.xxx.FD	2" Dummy – pair	0.4	\$94
5028.xxx.I	2" Passage – half pair	0.2	\$48
5028.xxx.IDM	2" Dummy – half pair	0.2	\$48
5155.xxx	2" Privacy – pair	0.4	\$94
5155.xxx.I	2" Privacy – half pair	0.2	\$48
5075.xxx	2 5/8" Passage – pair	0.8	\$100
5075.xxx.FD	2 5/8" Dummy – pair	0.8	\$100
5075.xxx.I	2 5/8" Passage – half pair	0.4	\$54
5075.xxx.IDM	2 5/8" Dummy – half pair	0.4	\$54
5127.xxx	2 5/8" Privacy – pair*	0.8	\$100
5127.xxx.I	2 5/8" Privacy – half pair*	0.4	\$54

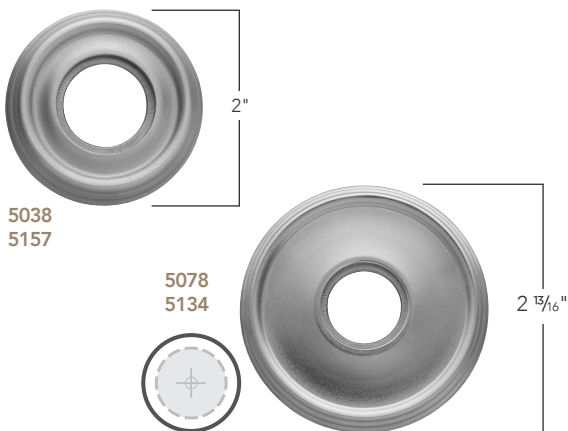
5035, 5076, 5129, 5156 Rosettes



Finish: 003, 031, 033, 044, 050, 055, 056, 060, 076, 102, 112, 190, 260, 402

Item #	Description	Wt.	Price
5035.xxx	2" Passage – pair	0.4	\$94
5035.xxx.FD	2" Dummy – pair	0.4	\$94
5035.xxx.I	2" Passage – half pair	0.2	\$48
5035.xxx.IDM	2" Dummy – half pair	0.2	\$48
5156.xxx	2" Privacy – pair	0.4	\$94
5156.xxx.I	2" Privacy – half pair	0.2	\$48
5076.xxx	2 5/8" Passage – pair	0.8	\$100
5076.xxx.FD	2 5/8" Dummy – pair	0.8	\$100
5076.xxx.I	2 5/8" Passage – half pair	0.4	\$54
5076.xxx.IDM	2 5/8" Dummy – half pair	0.4	\$54
5129.xxx	2 5/8" Privacy – pair*	0.8	\$100
5129.xxx.I	2 5/8" Privacy – half pair*	0.4	\$54

5038, 5157, 5078, 5134 Rosettes

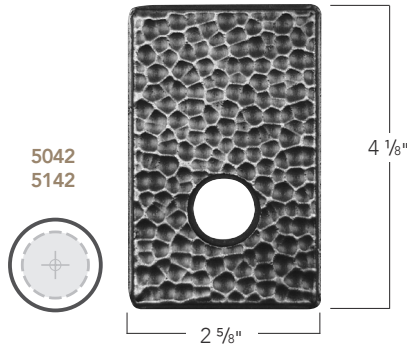


Finish: 003, 031, 033, 044, 050, 055, 056, 060, 076, 102, 112, 190, 260, 402

Item #	Description	Wt.	Price
5038.xxx	2" Passage – pair	0.4	\$94
5038.xxx.FD	2" Dummy – pair	0.4	\$94
5038.xxx.I	2" Passage – half pair	0.2	\$48
5038.xxx.IDM	2" Dummy – half pair	0.2	\$48
5157.xxx	2" Privacy – pair	0.4	\$94
5157.xxx.I	2" Privacy – half pair	0.2	\$48
5078.xxx	2 15/16" Passage – pair	0.8	\$100
5078.xxx.FD	2 15/16" Dummy – pair	0.8	\$100
5078.xxx.I	2 15/16" Passage – half pair	0.4	\$54
5078.xxx.IDM	2 15/16" Dummy – half pair	0.4	\$54
5134.xxx	2 15/16" Privacy – pair*	0.8	\$100
5134.xxx.I	2 15/16" Privacy – half pair*	0.4	\$54

Roses include the necessary backplate based on the application, but the *2.625" diameter or larger privacy roses do NOT include 5097 Active backplates.

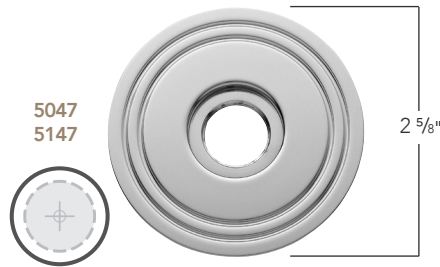
5042, 5142 Rosettes



Finish: 003, 031, 033, 044, 050, 055, 056, 060, 076, 102, 112, 190, 260, 402

Item #	Description	Wt.	Price
5042.xxx	4 1/8" x 2 5/8" Passage – pair	1.0	\$150
5042.xxx.FD	4 1/8" x 2 5/8" Dummy – pair	1.0	\$150
5042.xxx.I	4 1/8" x 2 5/8" Passage – half pair	0.5	\$77
5042.xxx.IDM	4 1/8" x 2 5/8" Dummy – half pair	0.5	\$77
5142.xxx	4 1/8" x 2 5/8" Privacy – pair*	1.0	\$150
5142.xxx.R (L)	4 1/8" x 2 5/8" Privacy – half pair*	0.5	\$77

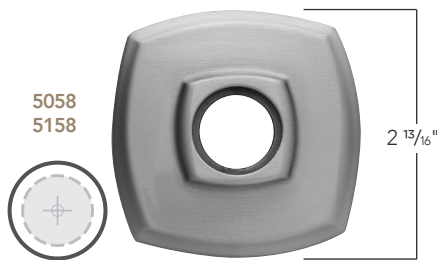
5047, 5147 Rosettes



Finish: 003, 031, 033, 044, 050, 055, 056, 060, 076, 102, 112, 190, 260, 402

Item #	Description	Wt.	Price
5021.xxx	2 5/8" Passage – pair	0.8	\$100
5021.xxx.FD	2 5/8" Dummy – pair	0.8	\$100
5021.xxx.I	2 5/8" Passage – half pair	0.4	\$54
5021.xxx.IDM	2 5/8" Dummy – half pair	0.4	\$54
5145.xxx	2 5/8" Privacy – pair*	0.8	\$100
5145.xxx.I	2 5/8" Privacy – half pair*	0.4	\$54

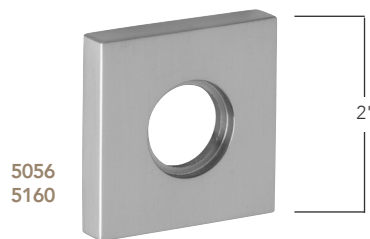
5058, 5158 Rosettes



Finish: 003, 031, 033, 044, 050, 055, 056, 060, 076, 102, 112, 190, 260, 402

Item #	Description	Wt.	Price
5058.xxx	2 13/16" Passage – pair	0.8	\$100
5058.xxx.FD	2 13/16" Dummy – pair	0.8	\$100
5058.xxx.I	2 13/16" Passage – half pair	0.4	\$54
5058.xxx.IDM	2 13/16" Dummy – half pair	0.4	\$54
5158.xxx	2 13/16" Privacy – pair*	0.8	\$100
5158.xxx.I	2 13/16" Privacy – half pair*	0.4	\$54

5056, 5160 Rosettes



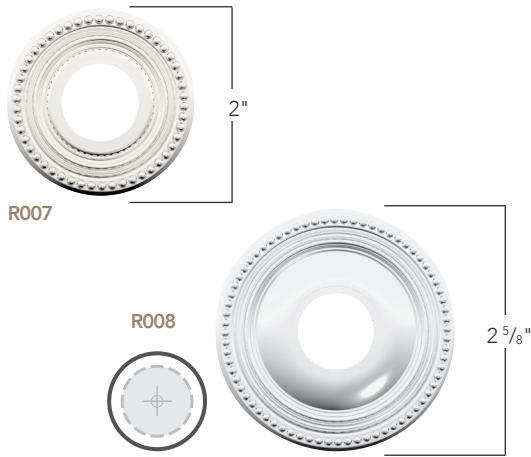
Finish: 003, 031, 033, 044, 050, 055, 056, 060, 076, 102, 112, 190, 260, 402

Item #	Description	Wt.	Price
5056.xxx	2" Passage – pair	0.8	\$84
5056.xxx.FD	2" Dummy – pair	0.8	\$84
5056.xxx.I	2" Passage – half pair	0.4	\$42
5056.xxx.IDM	2" Dummy – half pair	0.4	\$42
5160.xxx	2" Privacy – pair	0.8	\$84
5160.xxx.I	2" Privacy – half pair	0.4	\$42

Roses include the necessary backplate based on the application, but the *2.625" diameter or larger privacy roses do NOT include 5097 Active backplates.

A LA CARTE
COMPONENTS

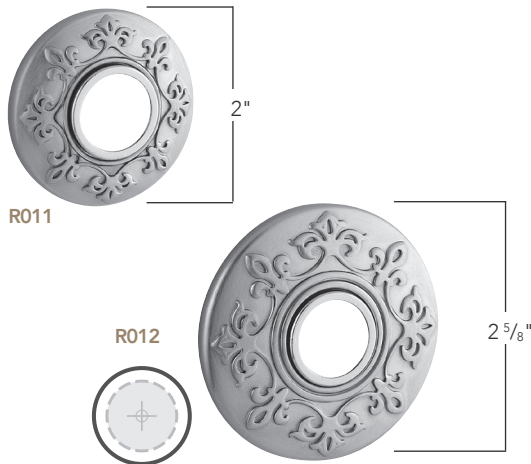
R007, R008 Rosettes



Finish: 003, 031, 033, 044, 050, 055, 056, 060, 076, 102, 112, 190, 260, 402

Item #	Description	Wt.	Price
R007.xxx.PS	2" Passage – pair	0.5	\$139
R007.xxx.FD	2" Dummy – pair	0.5	\$139
R007.xxx.PV	2" Privacy – pair	0.5	\$139
R007.xxx.IPS	2" Passage – half pair	0.3	\$70
R007.xxx.IDM	2" Dummy – half pair	0.3	\$70
R007.xxx.IPV	2" Privacy – half pair	0.3	\$70
R008.xxx.PS	2 5/8" Passage – pair	0.5	\$150
R008.xxx.FD	2 5/8" Dummy – pair	0.5	\$150
R008.xxx.PV	2 5/8" Privacy – pair*	0.5	\$150
R008.xxx.IPS	2 5/8" Passage – half pair	0.3	\$77
R008.xxx.IDM	2 5/8" Dummy – half pair	0.3	\$77
R008.xxx.IPV	2 5/8" Privacy – half pair*	0.3	\$77

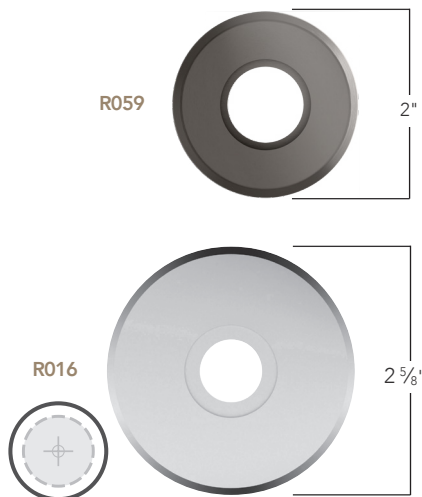
R011, R012 Rosettes



Finish: 003, 031, 033, 044, 050, 055, 056, 060, 076, 102, 112, 190, 260, 402

Item #	Description	Wt.	Price
R011.xxx.PS	2" Passage – pair	0.5	\$139
R011.xxx.FD	2" Dummy – pair	0.5	\$139
R011.xxx.PV	2" Privacy – pair	0.5	\$139
R011.xxx.IPS	2" Passage – half pair	0.3	\$70
R011.xxx.IDM	2" Dummy – half pair	0.3	\$70
R011.xxx.IPV	2" Privacy – half pair	0.3	\$70
R012.xxx.PS	2 5/8" Passage – pair	0.5	\$150
R012.xxx.FD	2 5/8" Dummy – pair	0.5	\$150
R012.xxx.PV	2 5/8" Privacy – pair*	0.5	\$150
R012.xxx.IPS	2 5/8" Passage – half pair	0.3	\$77
R012.xxx.IDM	2 5/8" Dummy – half pair	0.3	\$77
R012.xxx.IPV	2 5/8" Privacy – half pair*	0.3	\$77

R016 Rosette



Finish: 003, 031, 033, 044, 050, 055, 056, 060, 076, 102, 112, 190, 260, 402

Item #	Description	Wt.	Price
R016.xxx.PS	2 5/8" Passage – pair	0.8	\$100
R016.xxx.FD	2 5/8" Dummy – pair	0.8	\$100
R016.xxx.IPS	2 5/8" Passage – half pair	0.4	\$54
R016.xxx.IDM	2 5/8" Dummy – half pair	0.4	\$54
R016.xxx.PV	2 5/8" Privacy – pair	0.8	\$100
R016.xxx.IPV	2 5/8" Privacy – half pair	0.4	\$54

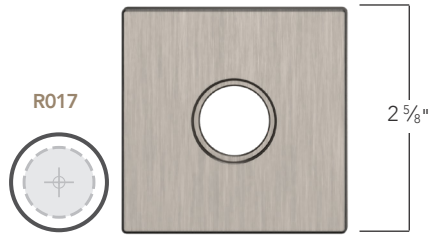
NEW

Finish: 003, 031, 033, 044, 050, 055, 056, 060, 076, 102, 112, 190, 260, 402

Item #	Description	Wt.	Price
R059.xxx.PS	2" Passage - pair	0.5	\$94
R059.xxx.FD	2" Dummy - pair	0.6	\$94
R059.xxx.IPS	2" Passage - half pair	0.3	\$48
R059.xxx.IDM	2" Dummy - half pair	0.3	\$48
R059.xxx.PV	2" Privacy - pair	0.5	\$94
R059.xxx.IPV	2" Privacy - half pair	0.5	\$48

Roses include the necessary backplate based on the application, but the *2.625" diameter or larger privacy roses do NOT include 5097 Active backplates.

R017 Rosette



Finish: 003, 031, 033, 044, 050, 055, 056, 060, 076, 102, 112, 190, 260, 402

Item #	Description	Wt.	Price
R017.xxx.PS	2 5/8" Passage – pair	0.8	\$100
R017.xxx.FD	2 5/8" Dummy – pair	0.8	\$100
R017.xxx.IPS	2 5/8" Passage – half pair	0.4	\$54
R017.xxx.IDM	2 5/8" Dummy – half pair	v0.4	\$54
R017.xxx.PV	2 5/8" Privacy – pair	0.8	\$100
R017.xxx.IPV	2 5/8" Privacy – half pair	0.4	\$54

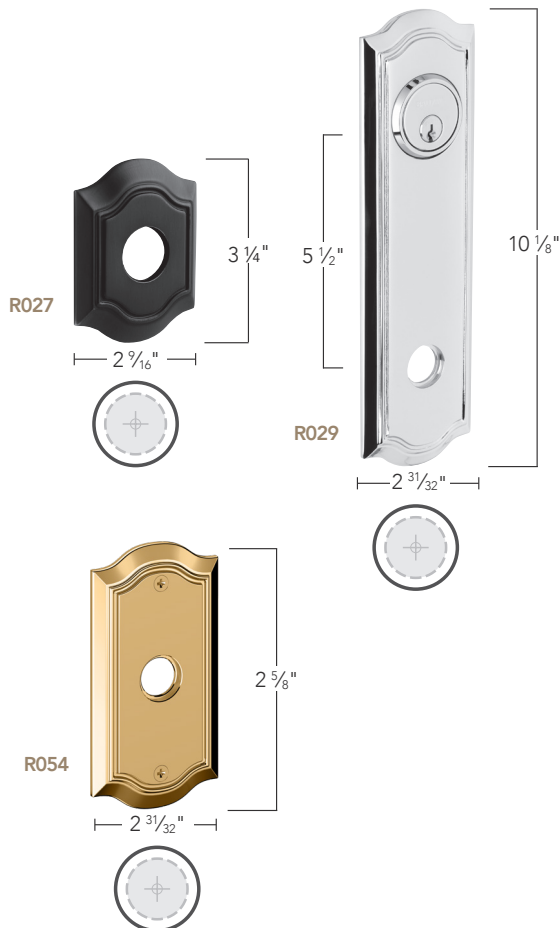
R026 Soho Rosette



Finish: 003, 031, 033, 044, 050, 055, 056, 060, 076, 102, 112, 190, 260, 402

Item #	Description	Wt.	Price
R026.xxx.PS	2 3/4" Soho Passage - pair	0.8	\$100
R026.xxx.FD	2 3/4" Soho Dummy - pair	0.8	\$100
R026.xxx.IPS	2 3/4" Soho Passage - half pair	0.4	\$54
R026.xxx.IDM	2 3/4" Soho Dummy - half pair	0.4	\$54
R026.xxx.PV	2 3/4" Soho Privacy - pair	0.8	\$100
R026.xxx.IPV	2 3/4" Soho Privacy - half pair	0.4	\$54

**R027, R029, R054
Bethpage Rosettes**



Finish: 003, 031, 033, 044, 050, 055, 056, 060, 076, 102, 112, 190, 260, 402

Item #	Description	Price
R027.xxx.PS	3 1/4" x 2 9/16" Bethpage Passage - pair	\$100
R027.xxx.FD	3 1/4" x 2 9/16" Bethpage Dummy - pair	\$100
R027.xxx.IPS	3 1/4" x 2 9/16" Bethpage Passage - half pair	\$54
R027.xxx.IDM	3 1/4" x 2 9/16" Bethpage Dummy - half pair	\$54
R027.xxx.PV	3 1/4" x 2 9/16" Bethpage Privacy - pair	\$100
R027.xxx.IPV	3 1/4" x 2 9/16" Bethpage Privacy - half pair	\$54
R029.xxx.PS	10 1/8" x 2 31/32" Bethpage Passage - pair	\$328
R029.xxx.FD	10 1/8" x 2 31/32" Bethpage Dummy - pair	\$328
R029.xxx.IPS	10 1/8" x 2 31/32" Bethpage Passage - half pair	\$164
R029.xxx.IDM	10 1/8" x 2 31/32" Bethpage Dummy - half pair	\$164
R029.xxx.PV	10 1/8" x 2 31/32" Bethpage Privacy - pair	\$328
R029.xxx.RPV (LPV)	10 1/8" x 2 31/32" Bethpage Privacy - half pair	\$164
R029.xxx.ENTR	10 1/8" x 2 31/32" Bethpage Entry Kit - pair	\$554
R029.xxx.EGRK	10 1/8" x 2 31/32" Bethpage Entry Egress Kit - Knob Adaptor	\$670
R029.xxx.EGRL	10 1/8" x 2 31/32" Bethpage Entry Egress Kit - Lever Adaptor	\$670
R054.xxx.PS	5 5/8" x 2 31/32" Bethpage Passage - pair	\$162
R054.xxx.FD	5 5/8" x 2 31/32" Bethpage Dummy - pair	\$162
R054.xxx.IPS	5 5/8" x 2 31/32" Bethpage Passage - half pair	\$81
R054.xxx.IDM	5 5/8" x 2 31/32" Bethpage Dummy - half pair	\$81
R054.xxx.PV	5 5/8" x 2 31/32" Bethpage Privacy - pair	\$162
R054.xxx.IPV	5 5/8" x 2 31/32" Bethpage Privacy - half pair	\$81

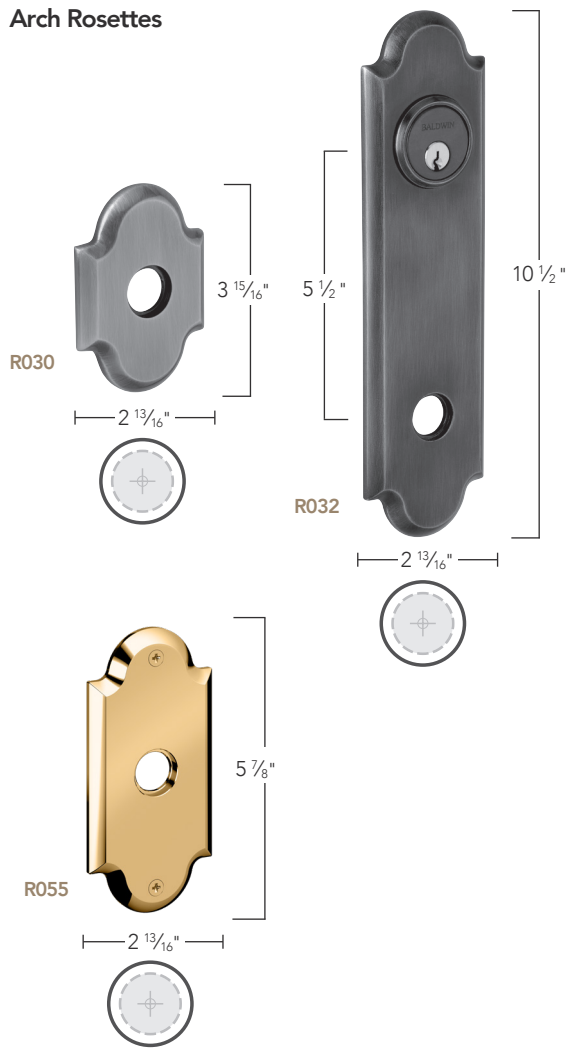
Entry/Non-Egress: Supports 1 3/4" doors. Includes cylinder and deadbolt latch. Must order desired knobs or levers and knob/lever passage latch along with 6503.009, 6504.009 and 6507.009 Adaptor separately. For a 2-1/4" thick door, you must order the 8098.000. TP03 thick door kit for the cylinder and a 5" solid spindle 0513.004.

Egress: Supports 1 3/4" doors. Includes cylinder, spindle, deadbolt latch, knob/lever latch, and egress cartridge. Must order desired knobs or levers separately. Spindle included with Egress kit will work from 1.75" to 2.25" Thick Doors. Must order 5399.xxx.C Thick Door Kit for doors 2" to 2.25" thick. Interior Egress roses do not match Interior Non-Egress or Dummy roses.

Note: All 10 inch rose interiors and exteriors have exposed screws except the Entry/Entry Egress kits, which have exposed interior screws only.

Roses include the necessary backplate based on the application, but the *2.625" diameter or larger privacy roses do NOT include 5097 Active backplates.

R030, R032, R055
Arch Rosettes



Finish: 003, 031, 033, 044, 050, 055, 056, 060, 076, 102, 112, 190, 260, 402

Item #	Description	Price
R030.xxx.PS	3 15/16" Arch Passage - pair	\$100
R030.xxx.FD	3 15/16" Arch Dummy - pair	\$100
R030.xxx.IPS	3 15/16" Arch Passage - half pair	\$54
R030.xxx.IDM	3 15/16" Arch Dummy - half pair	\$54
R030.xxx.PV	3 15/16" Arch Privacy - pair	\$100
R030.xxx.IPV	3 15/16" Arch Privacy - half pair	\$54
R032.xxx.PS	10 1/2" Arch Passage - pair	\$328
R032.xxx.FD	10 1/2" Arch Dummy - pair	\$328
R032.xxx.IPS	10 1/2" Arch Passage - half pair	\$164
R032.xxx.IDM	10 1/2" Arch Dummy - half pair	\$164
R032.xxx.PV	10 1/2" Arch Privacy - pair	\$328
R032.xxx.RPV (.LPV)	10 1/2" Arch Privacy - half pair	\$164
R032.xxx.ENTR	10 1/2" Arch Entry Kit - pair	\$554
R032.xxx.EGRK	11 3/16" Arch Entry Egress Kit - Knob Adaptor	\$670
R032.xxx.EGRL	11.2" Arch Entry Egress Kit - Lever Adaptor	\$670
R055.xxx.PS	5 7/8" Arch Passage - pair	\$162
R055.xxx.FD	5 7/8" Arch Dummy - pair	\$162
R055.xxx.IPS	5 7/8" Arch Passage - half pair	\$81
R055.xxx.IDM	5 7/8" Arch Dummy - half pair	\$81
R055.xxx.PV	5 7/8" Arch Privacy - pair	\$162
R055.xxx.IPV	5 7/8" Arch Privacy - half pair	\$81

Entry/Non-Egress: Supports 1 3/4" doors. Includes cylinder and deadbolt latch. Must order desired knobs or levers and knob/lever passage latch along with 6503.009, 6504.009 and 6507.009 Adaptor separately. For a 2-1/4" thick door, you must order the 8098.000. TP03 thick door kit for the cylinder and a 5" solid spindle 0513.004.

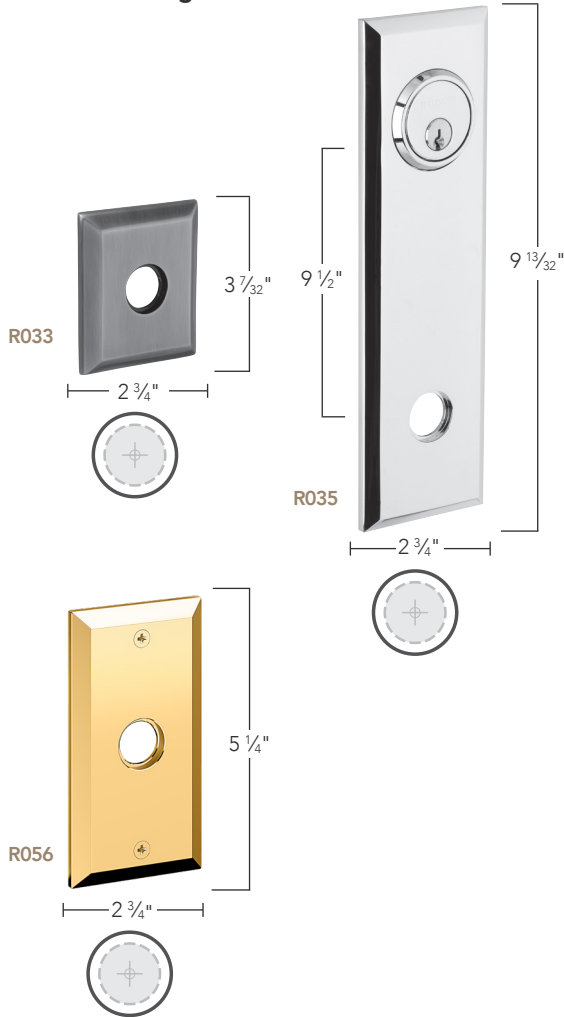
Egress: Supports 1 3/4" doors. Includes cylinder, spindle, deadbolt latch, knob/lever latch, and egress cartridge. Must order desired knobs or levers separately. Spindle included with Egress kit will work from 1.75" to 2.25" Thick Doors. Must order 5399.xxx.C Thick Door Kit for doors 2" to 2.25" thick. Interior Egress roses do not match Interior Non-Egress or Dummy roses.

Note: All 10 inch rose interiors and exteriors have exposed screws except the Entry/Entry Egress kits, which have exposed interior screws only.

Rose covers 2.125" hole on pre-bored door.

Roses include the necessary backplate based on the application, but the *2.625" diameter or larger privacy roses do NOT include 5097 Active backplates.

R033, R035, R056
Beveled Rectangle



Finish: 003, 031, 033, 044, 050, 055, 056, 060, 076, 102, 112, 190, 260, 402

Item #	Description	Price
R033.xxx.PS	3 7/32" x 2 3/4" Rectangle Passage - pair	\$100
R033.xxx.FD	3 7/32" x 2 3/4" Rectangle Dummy - pair	\$100
R033.xxx.IPS	3 7/32" x 2 3/4" Rectangle Passage - half pair	\$54
R033.xxx.IDM	3 7/32" x 2 3/4" Rectangle Dummy - half pair	\$54
R033.xxx.PV	3 7/32" x 2 3/4" Rectangle Privacy - pair	\$100
R033.xxx.IPV	3 7/32" x 2 3/4" Rectangle Privacy - half pair	\$54
R035.xxx.PS	9 1/2" x 2 3/4" Rectangle Passage - pair	\$328
R035.xxx.FD	9 1/2" x 2 3/4" Rectangle Dummy - pair	\$328
R035.xxx.IPS	9 1/2" x 2 3/4" Rectangle Passage - half pair	\$164
R035.xxx.IDM	9 1/2" x 2 3/4" Rectangle Dummy - half pair	\$164
R035.xxx.PV	9 1/2" x 2 3/4" Rectangle Privacy - pair	\$328
R035.xxx.RPV (LPV)	9 1/2" x 2 3/4" Rectangle Privacy - half pair	\$164
R035.xxx.ENTR	9 1/2" x 2 3/4" Rectangle Entry Kit - pair	\$554
R035.xxx.EGRK	9 1/2" x 2 3/4" Rectangle Entry Egress Kit - Knob Adaptor	\$670
R035.xxx.EGRL	9 1/2" x 2 3/4" Rectangle Entry Egress Kit - Lever Adaptor	\$670
R056.xxx.PS	5 1/4" x 2 3/4" Rectangle Passage - pair	\$162
R056.xxx.FD	5 1/4" x 2 3/4" Rectangle Dummy - pair	\$162
R056.xxx.IPS	5 1/4" x 2 3/4" Rectangle Passage - half pair	\$81
R056.xxx.IDM	5 1/4" x 2 3/4" Rectangle Dummy - half pair	\$81
R056.xxx.PV	5 1/4" x 2 3/4" Rectangle Privacy - pair	\$162
R056.xxx.IPV	5 1/4" x 2 3/4" Rectangle Privacy - half pair	\$81

Entry/Non-Egress: Supports 1 3/4" doors. Includes cylinder and deadbolt latch. Must order desired knobs or levers and knob/lever passage latch along with 6503.009, 6504.009 and 6507.009 Adaptor separately. For a 2-1/4" thick door, you must order the 8098.000. TP03 thick door kit for the cylinder and a 5" solid spindle 0513.004.

Egress: Supports 1 3/4" doors. Includes cylinder, spindle, deadbolt latch, knob/lever latch, and egress cartridge. Must order desired knobs or levers separately. Spindle included with Egress kit will work from 1.75" to 2.25" Thick Doors. Must order 5399.xxx.C Thick Door Kit for doors 2" to 2.25" thick. Interior Egress roses do not match Interior Non-Egress or Dummy roses.

Note: All 10 inch rose interiors and exteriors have exposed screws except the Entry/Entry Egress kits, which have exposed interior screws only.

A LA CARTE
COMPONENTS

R046 Square Rosettes



Finish: 003, 031, 033, 044, 050, 055, 056, 060, 076, 102, 112, 190, 260, 402

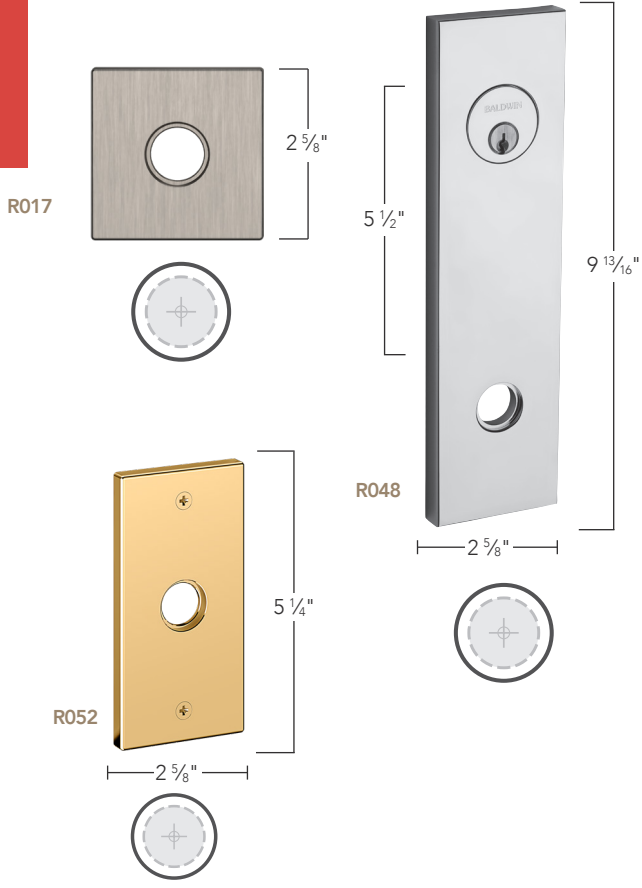
Item #	Description	Price
R046.xxx.PS	4 3/16" x 2 5/8" Mid-Century Passage - pair	\$162
R046.xxx.FD	4 3/16" x 2 5/8" Mid-Century Dummy - pair	\$162
R046.xxx.IPS	4 3/16" x 2 5/8" Mid-Century Passage - half pair	\$81
R046.xxx.IDM	4 3/16" x 2 5/8" Mid-Century Dummy - half pair	\$81
R046.xxx.PV	4 3/16" x 2 5/8" Mid-Century Privacy - pair	\$162
R046.xxx.IPV	4 3/16" x 2 5/8" Mid-Century Privacy - half pair	w\$81

Entry/Non-Egress: Supports 1 3/4" doors. Includes cylinder and deadbolt latch. Must order desired knobs or levers and knob/lever passage latch, 4.5" straight spindle along with 6503.009 or 6504.009 Adaptor separately.

Roses include the necessary backplate based on the application, but the *2.625" diameter or larger privacy roses do NOT include 5097 Active backplates.

R017, R048, R052 Contemporary Rosettes

A LA CARTE
COMPONENTS



Finish: 003, 031, 033, 044, 050, 055, 056, 060, 076, 102, 112, 190, 260, 402

Item #	Description	Price
R017.xxx.PS	2 5/8" Passage – pair	\$100
R017.xxx.FD	2 5/8" Dummy – pair	\$100
R017.xxx.IPS	2 5/8" Passage – half pair	\$54
R017.xxx.IDM	2 5/8" Dummy – half pair	\$54
R017.xxx.PV	2 5/8" Privacy – pair	\$100
R017.xxx.IPV	2 5/8" Privacy – half pair	\$54
R048.xxx.PS	9 13/32" x 2 5/8" Contemporary Passage - pair	\$328
R048.xxx.FD	9 13/32" x 2 5/8" Contemporary Dummy - pair	\$328
R048.xxx.IPS	9 13/32" x 2 5/8" Contemporary Passage - half pair	\$164
R048.xxx.IDM	9 13/32" x 2 5/8" Contemporary Dummy - half pair	\$164
R048.xxx.PV	9 13/32" x 2 5/8" Contemporary Privacy - pair	\$328
R048.xxx.RPV (.LPV)	9 13/32" x 2 5/8" Contemporary Privacy - half pair	\$164
R048.xxx.ENTR	9 13/32" x 2 5/8" Contemporary Entry Kit - pair	\$554
R048.xxx.EGRK	10" Contemporary Entry Egress Kit - Knob Adaptor	\$670
R048.xxx.EGRL	10" Contemporary Entry Egress Kit - Lever Adaptor	\$670
R052.xxx.PS	5 1/4" x 2 5/8" Rectangle Passage - pair	\$162
R052.xxx.FD	5 1/4" x 2 5/8" Rectangle Dummy - pair	\$162
R052.xxx.IPS	5 1/4" x 2 5/8" Rectangle Passage - half pair	\$81
R052.xxx.IDM	5 1/4" x 2 5/8" Rectangle Dummy - half pair	\$81
R052.xxx.PV	5 1/4" x 2 5/8" Rectangle Privacy - pair	\$162
R052.xxx.IPV	5 1/4" x 2 5/8" Rectangle Privacy - half pair	\$81

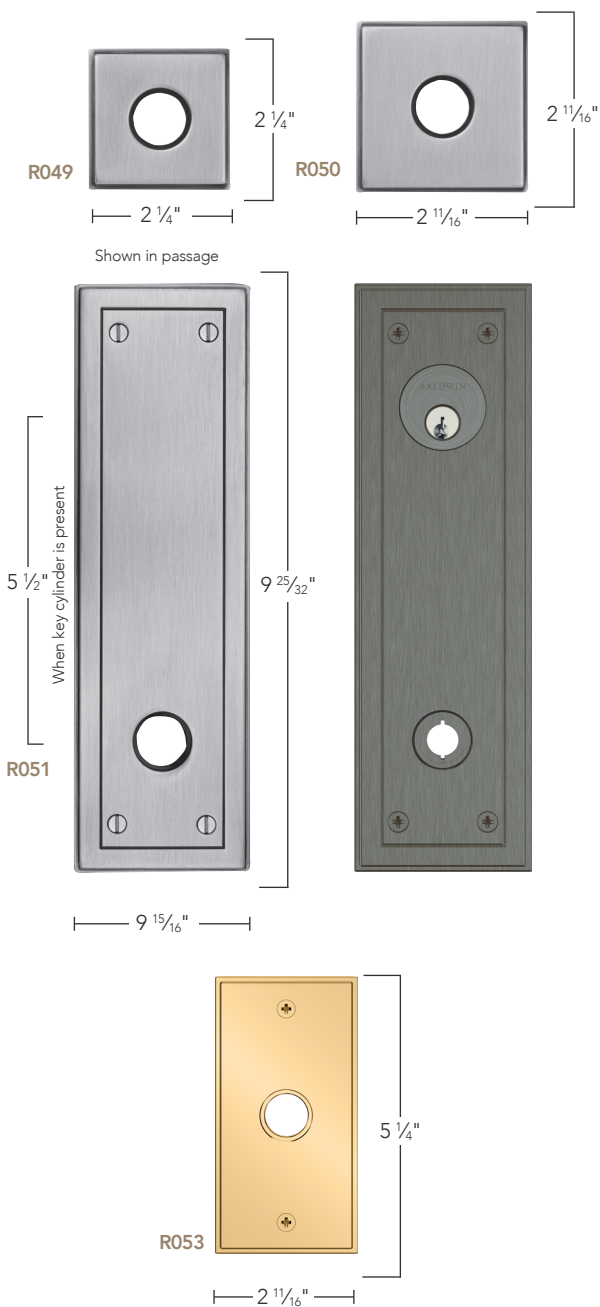
Entry/Non-Egress: Supports 1 3/4" doors. Includes cylinder and deadbolt latch. Must order desired knobs or levers and knob/lever passage latch, 4.5" straight spindle along with 6503.009, 6504.009 and 6507.009 Adaptor separately.

Egress: Supports 1 3/4" doors. Includes cylinder, spindle, deadbolt latch, knob/lever latch, and egress cartridge. Must order desired knobs or levers separately. Spindle included with Egress kit will work from 1.75" to 2.25" Thick Doors. Must order 5399.xxx.C Thick Door Kit for doors 2" to 2.25" thick. Interior Egress roses do not match Interior Non-Egress or Dummy roses.

Note: All 10 inch rose interiors and exteriors have exposed screws except the Entry/Entry Egress kits, which have exposed interior screws only. R017, R048 and R052 all cover most singular tubular cut out.

Roses include the necessary backplate based on the application, but the *2.625" diameter or larger privacy roses do NOT include 5097 Active backplates.

R049, R050, R051, R053
Hollywood Hills Rosettes



Finish: 003, 031, 033, 044, 050, 055, 056, 060, 076, 102, 112, 190, 260, 402

Item #	Description	Price
R049.xxx.PS	2 1/4" x 2 1/4" Hollywood Hills Passage - pair	\$90
R049.xxx.FD	2 1/4" x 2 1/4" Hollywood Hills Dummy - pair	\$90
R049.xxx.IPS	2 1/4" x 2 1/4" Hollywood Hills Passage - half pair	\$46
R049.xxx.IDM	2 1/4" x 2 1/4" Hollywood Hills Dummy - half pair	\$46
R049.xxx.PV	2 1/4" x 2 1/4" Hollywood Hills Privacy - pair	\$90
R049.xxx.IPV	2 1/4" x 2 1/4" Hollywood Hills Privacy - half pair	\$46
R050.xxx.PS	2 11/16" x 2 11/16" Hollywood Hills Passage - pair	\$100
R050.xxx.FD	2 11/16" x 2 11/16" Hollywood Hills Dummy - pair	\$100
R050.xxx.IPS	2 11/16" x 2 11/16" Hollywood Hills Passage - half pair	\$54
R050.xxx.IDM	2 11/16" x 2 11/16" Hollywood Hills Dummy - half pair	\$54
R050.xxx.PV	2 11/16" x 2 11/16" Hollywood Hills Privacy - pair	\$100
R050.xxx.IPV	2 11/16" x 2 11/16" Hollywood Hills Privacy - half pair	\$54
R051.xxx.PS	9 25/32" x 2 15/16" Hollywood Hills Passage - pair	\$328
R051.xxx.FD	9 25/32" x 2 15/16" Hollywood Hills Dummy - pair	\$328
R051.xxx.IPS	9 25/32" x 2 15/16" Hollywood Hills Passage - half pair	\$164
R051.xxx.IDM	9 25/32" x 2 15/16" Hollywood Hills Dummy - half pair	\$164
R051.xxx.PV	9 25/32" x 2 15/16" Hollywood Hills Privacy - pair	\$328
R051.xxx.RPV (LPV)	9 25/32" x 2 15/16" Hollywood Hills Privacy - half pair	\$164
R051.xxx.ENTR	9 25/32" x 2 15/16" Hollywood Hills Entry Kit - pair	\$554
R051.xxx.EGRK	9 25/32" x 2 15/16" Hollywood Hills Entry Egress Kit - Knob Adaptor	\$670
R051.xxx.EGRL	9 25/32" x 2 15/16" Hollywood Hills Entry Egress Kit - Lever Adaptor	\$670
R053.xxx.PS	5 1/4" x 2 11/16" Rectangle Passage - pair	\$162
R053.xxx.FD	5 1/4" x 2 11/16" Rectangle Passage - pair	\$162
R053.xxx.IPS	5 1/4" x 2 11/16" Rectangle Passage - half pair	\$81
R053.xxx.IDM	5 1/4" x 2 11/16" Rectangle Dummy - half pair	\$81
R053.xxx.PV	5 1/4" x 2 11/16" Rectangle Privacy - pair	\$162
R053.xxx.IPV	5 1/4" x 2 11/16" Rectangle Privacy - half pair	\$81

Entry/Non-Egress: Supports 1 3/4" doors. Includes cylinder and deadbolt latch. Must order desired knobs or levers and knob/lever passage latch, 4.5" straight spindle along with 6503.009, 6504.009 and 6507.009 Adaptor separately.

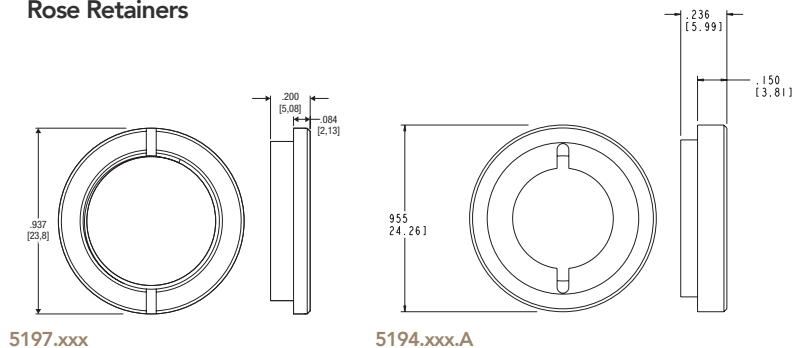
Egress: Supports 1 3/4" doors. Includes cylinder, spindle, deadbolt latch, knob/lever latch, and egress cartridge. Must order desired knobs or levers separately. Spindle included with Egress kit will work from 1.75" to 2.25". Thick Doors. Must order 5399.xxx.C Thick Door Kit for doors 2" to 2.25" thick. Interior Egress roses do not match Interior Non-Egress or Dummy roses.

Note: All 10 inch rose interiors and exteriors have exposed screws except the Entry/Entry Egress kits, which have exposed interior screws only.



R050, R051, R053 All cover most singular tubular cut out.

Rose Retainers



Item #	Description	Price
5197.xxx	Rose Retainer	\$5
5194.xxx.A	Rose Retainer Small Shank	\$5
5197.xxx - Rose Retainer		
• Rose Retainers furnished standard with all roses.		
• Finishes:		
000 for 003, 030, 031, 033, 050, 060		
190 for 102, 112, 190, 402		
264 for 260, 140, 055, 056		
5194.xxx.A - Rose Retainer Small Shank For 2" Rosettes Only		
• Only available in finishes 019, 140, 190, 221		

Roses include the necessary backplate based on the application, but the *2.625" diameter or larger privacy roses do NOT include 5097 Active backplates.

A LA CARTE
COMPONENTS

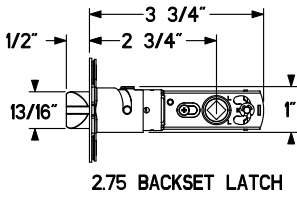
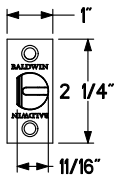
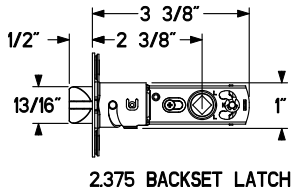
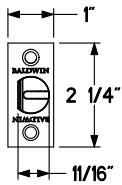
Adjustable Passage & Privacy Latches



5540.033
Passage Adjustable Latch



5540.033
Privacy Adjustable Latch



Finish: 003, 031, 033, 044, 050, 055, 056, 060, 076, 102, 112, 190, 260

Passage Latches

Item #	Description	Backset	Price
5540.xxx	Passage Adjustable Latch	2.375" and 2.75"	\$89
5540.xxx.P	Privacy Adjustable Latch	2.375" and 2.75"	\$89
8515.000	Universal Dust Box	n/a	\$8.50

Latches NOT available in Distressed finishes, non-distressed equivalents 402=102
Adjustable latches are to be paired with pre-drilled door adaptors only
For doors thicker than 2" a longer spindle is required, please see spindle chart on page 69

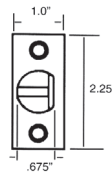
ALL INTERIOR LATCHES:

- Hub rotation only 28° for easy turning
- Non-handed latches (reversible)
- Fully adjustable fronts for use on beveled doors
- Bolt head features anti-friction insert for smooth operation
- Adjust backset from 2.375" to 2.75"

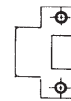
INCLUDED WITH INTERIOR LATCHES:

- T-Strike
- Full-Lip Strike
- 3.75" spindle for door thickness 1 3/8" - 1 3/4"
- Universal Dust Box (8515.000)
- Privacy Button (with Privacy Latches)
- Wood fasteners and template

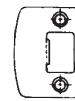
1" WIDE FACEPLATE



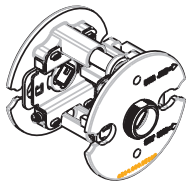
Standard Box Strike (T-Strike)



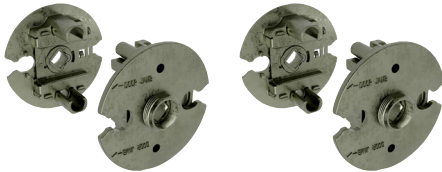
Full Lip Strike



2.125" Pre-Drilled Door Adaptors



6503.009
Standard Knob Adaptor



6504.009
Standard Lever Adaptor

6507.009
Standard Heavy Lever Adaptor

Item #	Description	Price
6503.009	Pre-Drilled Door Adaptor for Knobs	\$19
6504.009	Spring Assisted Pre-Drilled Door Adaptor for Levers	\$19
6507.009	Spring Assisted Pre-Drilled Door Adaptor for Heavy Levers	\$19

NEW

NOTE: Accommodates 1 3/8" and 1 1/4" door thickness.
Recommend pairing knobs with our 6503.009 adaptor for 2 1/8" pre-bore doors.
Recommend pairing lighter levers with our 6504.004 adaptor for 2 1/8" pre-bore doors.
Recommend pairing heavy levers with our 6507.009 adaptor for 2 1/8" pre-bore doors.
Please refer to the list below of heavy levers:

- 5112 L023
- 5113 L029
- 5116 L030
- 5118 L031
- 5125 L033
- 5162 L034
- 5167
- 5173

1.5" Small Bore Door Adaptors



5086.009
Small Bore Knob Adaptor



6501.009
Small Bore Lever Adaptor

6511.009
Small Bore Heavy Lever Adaptor

Item #	Description	Price
5086.009	1.5" Small Bore Adapter for Knobs	\$19
6501.009	1.5" Spring Assisted Small Bore Adaptor for Levers	\$19
6511.009	1.5" Spring Assisted Small Bore Adaptor for Heavy Levers	\$19

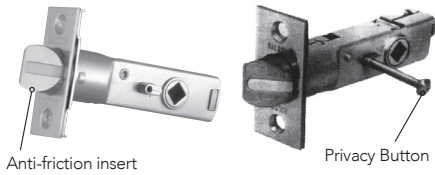
NEW

NOTE Accomodates 1 3/8" and 1 3/4" door thickness.
NOTE: Recommend pairing knobs with our 5086.009 adaptor for 1 1/2" small bore doors.
Recommend pairing lighter levers with our 6501.004 adaptor for 1 1/2" small bore doors.
Recommend pairing heavy levers with our 6511.009 adaptor for 1 1/2" small bore doors.
Please refer to the list below of heavy levers:

- 5112 L023
- 5113 L029
- 5116 L030
- 5118 L031
- 5125 L033
- 5162 L034
- 5167
- 5173

*QUICK SHIP is available in functions and finishes shown in red.

Fixed Back Set Passage & Privacy Latches



Anti-friction insert

Privacy Button

Finish: 003, 031, 033, 044, 050, 055, 056, 060, 076, 102, 112, 190, 260

Passage Latches

Item #	Description	Backset	Faceplate	Price
5510.xxx (.ASA, .FLS)	Knob-Strength Passage latch	2.375"	1" w	\$89
5513.xxx (.ASA, .FLS)	Lever-Strength Passage latch	2.375"	1" w	\$89
5520.xxx (.ASA, .FLS)	Knob-Strength Passage latch	2.75"	1" w	\$89
5523.xxx (.ASA, .FLS)	Lever-Strength Passage latch	2.75"	1" w	\$89

Finish: 003, 031, 033, 044, 050, 055, 056, 060, 076, 102, 112, 190, 260

Passage Latches

Item #	Description	Backset	Faceplate	Price
5510.xxx.P (.ASA, .FLS)	Knob-Strength Privacy latch	2.375"	1" w	\$89
5513.xxx.P (.ASA, .FLS)	Lever-Strength Privacy latch	2.375"	1" w	\$89
5520.xxx.P (.ASA, .FLS)	Knob-Strength Privacy latch	2.75"	1" w	\$89
5523.xxx.P (.ASA, .FLS)	Lever-Strength Privacy latch	2.75"	1" w	\$89

Latches NOT available in Distressed finishes, non-distressed equivalents 402=102

Latches available with Standard strike (no suffix), ASA strike (.ASA) or Full Lip Strike (.FLS)

Example: 5510.xxx = Standard strike
 5510.xxx.ASA = ASA strike
 5510.xxx.FLS = Full Lip Strike

ALL INTERIOR LATCHES:

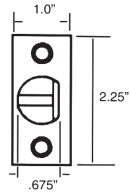
- Hub rotation only 28° for easy turning
- Non-handed latches (reversible)
- Fully adjustable fronts for use on beveled doors
- Bolt head features anti-friction insert for smooth operation
- Lever-Strength latches manufactured with heavy duty springs

NOTE: For Doors 2" or thicker or use with escutcheon plates, a longer spindle is required. See Spindle Chart on pg 69.

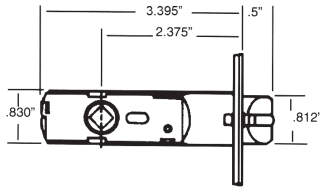
INCLUDED WITH INTERIOR LATCHES:

- Standard Box Strike (T-Strike)
- ASA or Full Lip Strike also available at no charge – specify as follows:
 5510.xxx.ASA Latch x ASA Strike
 5510.xxx.FLS Latch x Full Lip Strike
- Wood fasteners and template
- Dust Box – 5510.000 (not included with .ASA latches)
- 3.75" spindle*
- Privacy Button (with Privacy Latches)

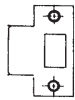
1" WIDE FACEPLATE



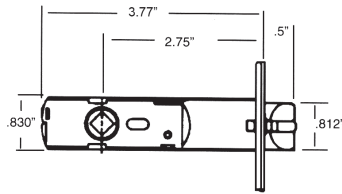
2.375" BACKSET LATCH



Standard Box Strike (T-Strike)



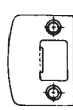
2.75" BACKSET LATCH



ASA Strike



Full Lip Strike



UL LISTED Estate Passage/Privacy

Only select Estate passage and privacy sets have been certified by UL at this time. This is determined by the rose that is used on the particular set, along with the use of the Estate 6503.009 and 6504.009 adaptors. Estate roses that meet the UL requirement when used in conjunction with the Estate 6503.009 and 6504.009 adaptors are as follows:



5021	5126	R008 PS/PV	R027/R029 PS/PV/ENTR
5042	5127	R010 PS/PV	R030/R032 PS/PV/ENTR
5046	5129	R012 PS/PV	R033/R035 PS/PV/ENTR
5047	5134	R016 PS/PV	R039/R040/R041 PS/PV/ENTR
5048	5142	R017 PS/PV	R046 PS/PV/ENTR
5058	5145	R026 PS/PV	R048 PS/PV/ENTR
5059	5146		R049/R050/R051 PS/PV/ENTR
5070	5147		
5075	5148		
5076	5149		
5078	5158		
5119	5159		
5123			

Finish: 003, 031, 033, 044, 050, 055, 056, 060, 076, 102, 112, 190, 260

Item #	Description	Price
U5510.xxx	UL Kit for Estate passage or privacy sets (for use with 6503.009 adapter)	\$34
U5530.xxxx	UL Kit for Estate passage or privacy sets (for use with 6504.009 adapter)	\$34

Included with each kit:
 UL latch faceplate, Inside & Outside UL Shield, UL Retaining Ring

ORDERING:

- 1.) Choose your Estate knob or lever pair
- 2.) Choose your Estate passage or privacy rose from the list to the left
- 3.) Choose your fixed back set knob or lever latch
- 4.) Add the 6503.009 or 6404.009 adaptors
- 5.) Choose the UL kit for Estate passage or privacy sets in the finish that matches your knob or lever latch: U5510.xxx

NOTE: All components from the passage/privacy kit must be used for UL certification. UL Kits only pair with the fixed backset latches.

CHOOSING THE PROPER ADAPTER

Door Prep	2- 1/8" Pre-Bore			1-1/2" Small Bore		
	Knob	Lever		Knob	Lever	
Lever Selection	6503.009	Regular	Heavy*	5086.009	Regular	Heavy*
Adapter Needed		6504.009	6507.007		6501.009	6511.009

*HEAVY LEVERS: 5112, 5113, 5116, 5118, 5125, 5162, 5167, 5173, L023, L030, L031, L033, L034

5210 & 5300 Replacement Latches



Universal Deadlocking Latch for Keyed Entry and 2-Point Handlesets

Finish: 003, 031, 033, 044, 050, 055, 056, 060, 076, 102, 112, 190, 260

Item #	Adjustable Backset	Front Length	Front Width	Description	Price
5210.xxx	2.375" (60mm)	2.25" (57mm)	1" (25mm)	Deadlocking Latch Bolt	\$71
	2.75" (70mm)				

FEATURES: Latch bolts have a .5" throw, are reversible and can be used on beveled doors. Latches are supplied with 1" (25mm) face plates.

PACKED: One latch per box.

Adjustable Latch for Tubular Handlesets

Finish: 003, 031, 033, 044, 050, 055, 056, 060, 076, 102, 112, 190, 260

Item #	Description	Price
5300.xxx.9	Adjustable Latch	\$65

5510.xxx.0030 – Privacy Button



Item #	Description	Price
5510.xxx.0030	Privacy Button – All Knob-Strength Latches	\$16
5513.xxx.0030	Privacy Button – All Lever Strength Latches	\$16
5199.000	Privacy Button Extender	\$8

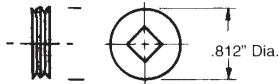
Furnished with all privacy tubular latch sets (latches ordered .P)

Use to extend length of privacy button in applications where hardware is installed on doors over 1.75" thick and/or with escutcheon plates thicker than .25"

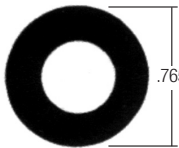
Spare Parts



1327.009
Set Screws



5084.009.0002
Dummy Trim Plate



5085.000
Graphite Impregnated Nylon Spacer

Item #	Description	Price
1327.009	Set Screws (pair)	\$3
5084.009.0002	Dummy Trim Plate (each)	\$3
5085.000	Graphite Impregnated Nylon Spacer (each)	\$3

1327.009 – Set Screws

- Included with ALL Estate knobs and levers
- 0.25" Black Oxide

5084.009.0002 – Dummy Trim Plate

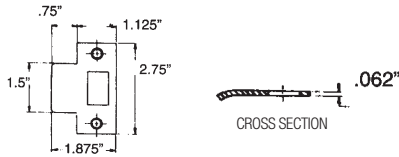
- This plate can be ordered separately to convert other finishes of screw covers to a rigid mounting installation.

5085.000 – Graphite Impregnated Nylon Spacer

- Included with all Privacy rosettes
- Eliminates end play of trim and assures smooth operation

5510.TSTR – Standard Box Strike (T-Strike)

Included with all Passage & Privacy Latches

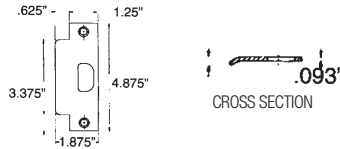


Finish: 003, 031, 033, 044, 050, 055, 056, 060, 076, 102, 112, 190, 260

Item #	Description	Price
5510.xxx.TSTR	Standard Box Strike (Included with all Passage & Privacy Latches)	\$24

LIP TO CENTER DIMENSION (LTC): 1.312" (33mm)
 DUST BOX: furnished unattached (5510.000.TSTR)
 TEMPLATE: metal frames to be prepared in accordance with ANSI standard A115.2

5510.ASTR – ASA Strike

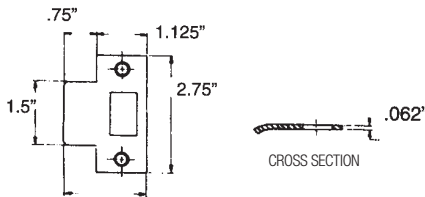


Finish: 003, 031, 033, 044, 050, 055, 056, 060, 076, 102, 112, 190, 260

Item #	Description	Price
5510.xxx.ASTR	ASA-Strike	\$24

LTC: 22" (32mm)
 DUST BOX: not furnished
 TEMPLATE: metal frames to be prepared in accordance with ANSI standard A115.2

5510.E158, .E178, .E214 – Extended T-Strike

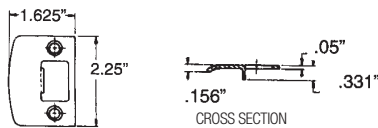


Finish: 003, 031, 033, 044, 050, 055, 056, 060, 076, 102, 112, 190, 260

Item #	Description	Price
5510.xxx.E158	Extended Lip Box Strike – 1.625" LTC	\$24
5510.xxx.E178	Extended Lip Box Strike – 1.875" LTC	\$24
5510.xxx.E214	Extended Lip Box Strike – 2.25" LTC	\$24

LTC: 5510.xxx.E158 – 1.625" (41mm)
 LTC: 5510.xxx.E178 – 1.875" (48mm)
 LTC: 5510.xxx.E214 – 2.25" (57mm)
 DUST BOX: not furnished (use dust box provides with standard T-Strike)

5510.FSTR – Full Lip Strike

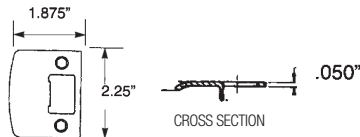


Finish: 003, 031, 033, 044, 050, 055, 056, 060, 076, 102, 112, 190, 260

Item #	Description	Price
5510.xxx.FSTR	Full Lip Strike	\$24

LTC: 1.125" (29mm)
 DUST BOX: not included

5300.EFLS – Extended Full Lip Strike (ONLY SIZE AVAILABLE)

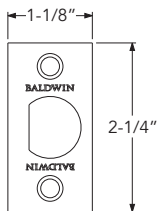


Finish: 003, 031, 033, 044, 050, 055, 056, 060, 076, 102, 112, 190, 260

Item #	Description	Price
5300.xxx.EFLS	Extended Full Lip Strike	\$24

For 2" (51mm) and 2.25" (57mm) thick doors or when trim condition necessitates a larger strike. Can also be used with Estate handlesets and interior sets
 LTC: 1.375" (35mm)
 DUST BOX: not included

5550.XXX.F118 -- 1.125" Latch Front



Finish: 003, 031, 033, 044, 050, 055, 056, 060, 076, 102, 112, 190, 260

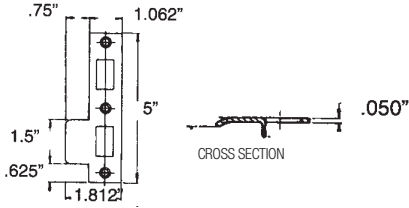
Item #	Description	Price
5550.XXX.F118	1.125" Armored Latch Front Kit.	\$24

Not Available in Distressed Finishes. 402=102

*QUICK SHIP is available in functions and finishes shown in red.

A LA CARTE COMPONENTS

5528.R (.L) – Combination Privacy Strike – ESCUTCHEON



Finish: 003, 031, 033, 044, 050, 055, 056, 060, 076, 102, 112, 190, 260

Item #	Description	Price
5528.xxx.R (.L)	Combination Privacy Strike	\$24

LTC: 1.28" (33mm), other lengths not available

FEATURES: Permits use of 5500 series tubular latches and 0413 or 0418 mortise bolts with KT and KE escutcheon trim. Strike is designed with a curved lip, so proper hand of door is required. Furnished with 0417 Emergency key standard. CTC of the cross bore of the combo strike is 2 1/4".

DUST BOX: Boxes furnished with tubular latches/mortise bolts can be used in combination with strike

NOTE: handling of strike is based on latch bolt being installed below deadbolt

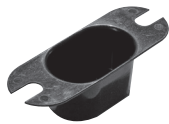
Universal Dust Box for Adjustable Latch



8515.000
Dust Box

Item #	Description	Price
8515.000	Universal Dust Box (000 finish only)	\$8.50

Dust Box for Latches

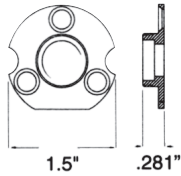


5510.000
Dust Box

Item #	Description	Price
5510.000.TSTR	Dust box for use with 5510.xxx.TSTR strike (000 finish only)	\$8
5510.000.FSTR	Dust box for use with 5510.xxx.FSTR strike (000 finish only)	\$8

Conceals installation marks and cutouts

Active Trim Back Plate - Rosettes



5097.009.N
Active Trim Back Plate

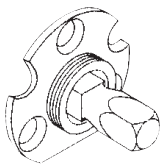
Item #	Description	Price
5097.009.N	Active Trim Back Plate (each)	\$14

5097.009.N – Active Trim Back Plate
• For use with ALL Estate active roses

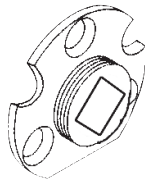
NOTE: 5097 back plate is not compatible with 2.125" door prep. 5097 is used with a 5/8" face bore only

Dummy Spindles – Rosettes

Half



Full



Item #	Description	Price
5098.004.N	Half Dummy Back Plate (each)	\$14
5098.009.N	Full Dummy Back Plate (each)	\$14
5098.004.A	Transitional Half Dummy Back Plate (each)	\$20

5098.004.N – **Half Dummy Spindle**

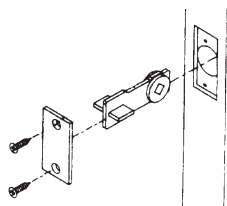
- Half dummy surface mounting for all current Estate knobs and levers
- Rose threads onto adaptor
- Included with roses ordered .IDM
- If surface mounting is problematic (ie. hollow core doors) please order Rigid Mounting Spindle (5084.xxx) – shown below

NOTE: 5098.004.A Transitional spindle for discontinued threaded knobs & levers, as well as all current Estate knobs and levers.

5098.009.N – **Full Dummy Adaptor**

- Rose threads onto adaptor
- For all current Estate knobs and levers
- Two adaptors included with roses ordered .FD
- Spindle ordered separately

Dummy Insert & Filler Plate



Item #	Description	Price
5090.020.A	Dummy insert & filler plate	\$29

- Used with 6503.009 adaptor to enable full dummy mounting
- Conceals face plate cut-out in edge of door

NOTE: Baldwin Estate spindles are 7.28mm unless noted otherwise.

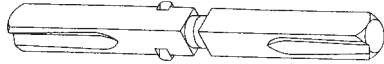
*QUICK SHIP is available in functions and finishes shown in red.

0509 - 0517 Broached Straight Spindles – PASSAGE



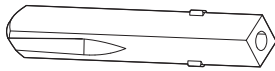
Item #	Description	Size	Price
0509.004	Broached straight	3"	\$18
0510.004	Broached straight	3.5"	\$18
0517.004	Broached straight	3.75"	\$18
0511.004	Broached straight	4"	\$18
0512.004	Broached straight	4.5"	\$18
0513.004	Broached straight	5"	\$18
0514.004	Broached straight	5.5"	\$18
0515.004	Broached straight	6"	\$18
0516.004	Broached straight	7"	\$18

0519 - 0527 Broached Swivel Spindles – PRIVACY



Item #	Description	Size	Price
0519.004	Broached swivel	3"	\$25
0520.004	Broached swivel	3.5"	\$25
0527.004	Broached swivel	3.75"	\$25
0522.004	Broached swivel	4"	\$25
0521.004	Broached swivel	4.5"	\$25
0523.004	Broached swivel	5"	\$25
0524.004	Broached swivel	5.5"	\$25
0525.004	Broached swivel	6.5"	\$25

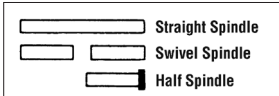
0530 - 0539 Broached Half Spindles – FRONT DOOR
(thumbpiece to knob or lever)



Item #	Description	Size	Price
0530.004	Broached half	2.375"	\$18
0531.004	Broached half	2.875"	\$18
0532.004	Broached half	3.375"	\$18
0533.004	Broached half	2.5"	\$18
0539.004	Broached half	2.625"	\$18

- For mounting all current Estate knobs and levers to thumbpiece of handlesets
- Included with all 'set' orders

SPINDLE CHART & KEY



.A SUFFIX TRANSITIONAL SPINDLES (OLD STYLE):
For use with all discontinued Estate threaded knobs & levers, as well as all current Estate knobs and levers

Door Thickness	1.375"		1.75"		2"		2.25"		2.5"		2.75"		3"	
	Spindle	Half Spindle	Spindle	Half Spindle	Spindle	Half Spindle	Spindle	Half Spindle	Spindle	Half Spindle	Spindle	Half Spindle	Spindle	Half Spindle
A – .0625"	3.5"	2.25"	4"	2.25"	4"	2.25"	4.5"	2.25"	4.5"	2.375"	5"	2.625"	5"	2.625"
B – .0937"	3.5"	2.25"	4"	2.25"	4"	2.25"	4.5"	2.25"	5"	2.625"	5"	2.625"	5"	2.875"
C – .125"	3.5"	2.25"	4"	2.25"	4.5"	2.25"	4.5"	2.25"	5"	2.625"	5"	2.625"	5"	2.875"
D – .1875"	3.5"	2.25"	4"	2.25"	4.5"	2.25"	4.5"	2.375"	5"	2.625"	5"	2.625"	5.5"	2.875"
E – .25" Estate Roses	4"	2.25"	4"	2.25"	4.5"	2.25"	5"	2.375"	5"	2.625"	5"	2.875"	5"	2.875"
F – .3125"	4"	2.25"	4.5"	2.25"	4.5"	2.375"	5"	2.375"	5"	2.625"	5.5"	2.875"	5.5"	2.875"
G – .375"	4"	2.25"	4.5"	2.375"	5"	2.375"	5"	2.875"	5.5"	2.875"	5.5"	2.875"	5.5"	2.875"
H – .435"	4.5"	2.25"	4.5"	2.375"	5"	2.375"	5"	2.625"	5.5"	2.875"	5.5"	2.875"	6.5"	3.375"
H1 – .53"	4.5"	2.25"	4.5"	2.375"	5"	2.625"	5.5"	2.625"	5.5"	2.875"	6.5"	2.875"	6.5"	3.375"
I – .56"	4.5"	2.25"	5"	2.375"	5"	2.625"	5.5"	2.625"	5.5"	2.875"	6.5"	2.875"	6.5"	3.375"
J – .75"	5"	2.625"	5.5"	2.875"	5.5"	2.875"	6"	2.875"	6"	3.375"	6" 5.5"	3.375"	6" 5.5"	3.375"

Transitional Straight Spindles – Passage

Item #	Description	Size	Price
0509.004.A	Transitional straight	3"	\$27
0510.004.A	Transitional straight	3.5"	\$27
0511.004.A	Transitional straight	4"	\$27
0512.004.A	Transitional straight	4.5"	\$27
0513.004.A	Transitional straight	5"	\$27
0514.004.A	Transitional straight	5.5"	\$27
0515.004.A	Transitional straight	6"	\$27
0516.004.A	Transitional straight	7"	\$27

Transitional Swivel Spindles – Privacy

Item #	Description	Size	Price
0519.004.A	Transitional swivel	3"	\$35
0520.004.A	Transitional swivel	3.5"	\$35
0521.004.A	Transitional swivel	4.5"	\$35
0522.004.A	Transitional swivel	4"	\$35
0524.004.A	Transitional swivel	5.5"	\$35
0525.004.A	Transitional swivel	6.5"	\$35

Transitional Half Spindles – Front Door (thumbpiece to knob or lever)

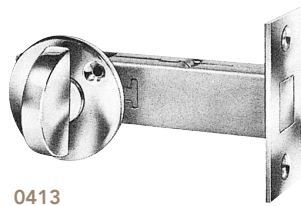
Item #	Description	Size	Price
0530.004.A	Transitional half	2.375"	\$27
0531.004.A	Transitional half	2.875"	\$27
0532.004.A	Transitional half	3.375"	\$27
0533.004.A	Transitional half	2.25"	\$27

*QUICK SHIP is available in functions and finishes shown in red.

Strikes NOT available in Distressed finishes, non-distressed equivalents

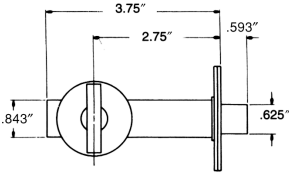
A LA CARTE
COMPONENTS

Mortise, Bolt, Tubular Design

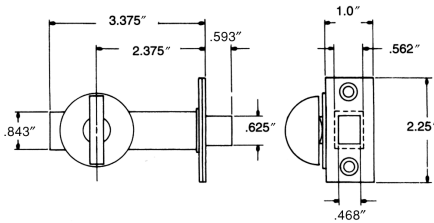


0413

0413.xxx – 2.75" Backset Mortise Bolt

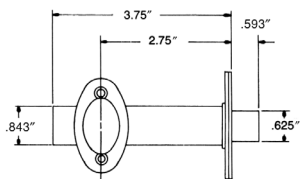


0418.xxx – 2.375" Backset Mortise Bolt

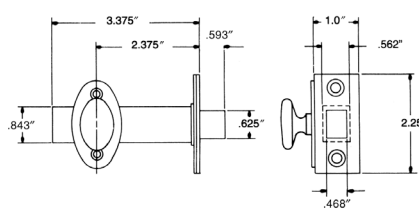


0419

0414.xxx – 2.75" Backset Mortise Bolt



0419.xxx – 2.375" Backset Mortise Bolt



Finish: 003, 031, 033, 044, 050, 055, 056, 060, 076, 102, 112, 190, 260

Item #	Description	wBackset	Wt.	Price
0413.xxx	Contemporary Mortise Bolt	2.75"	0.6	\$113
0414.xxx	Traditional Mortise Bolt	2.75"	0.6	\$113
0418.xxx	Contemporary Mortise Bolt	2.375"	0.5	\$113
0419.xxx	Traditional Mortise Bolt	2.375"	0.5	\$113

- Heavy duty solid brass mortise bolt with steel housing
- Smooth and positive action
- Use with tubular latches for privacy/patio condition
- May be installed above or below latches, depending upon visibility
- Emergency release trim available at additional charge
- Available Less Turn Piece (LTP)

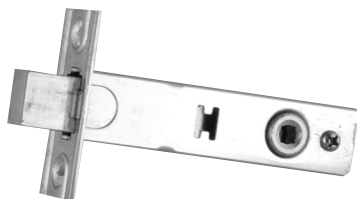
IMPORTANT: To enable emergency trim to function, the turn piece spindle must be cut to extend no farther than halfway through the bolt.

PACKED: One in a box with necessary fasteners and template

FSE: BHMA Designation: LO4121

0413 & 0418.LTP

Less Turn Piece



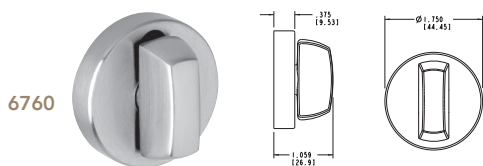
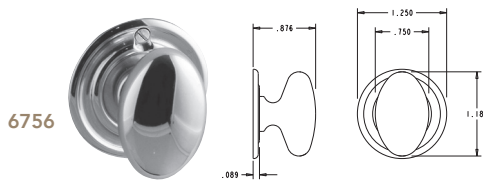
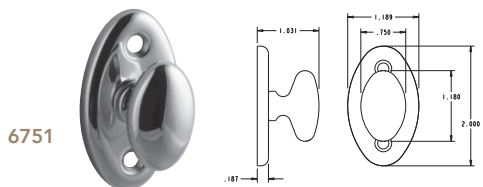
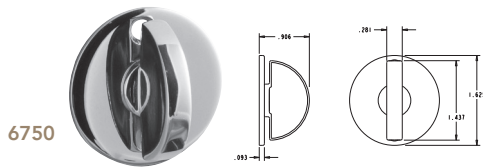
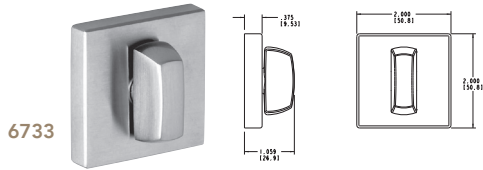
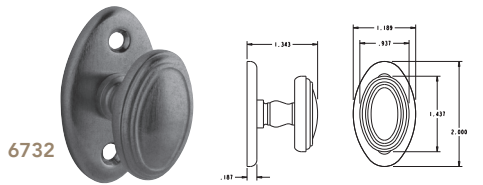
Order Turn Piece separately
(next page)

Finish: 003, 031, 033, 044, 050, 055, 056, 060, 076, 102, 112, 190, 260, 402

Item #	Description	wBackset	Wt.	Price
0413.xxx.LTP	Mortise Bolt – Less Turn Piece	2.75"	0.4	\$45
0418.xxx.LTP	Mortise Bolt – Less Turn Piece	2.375"	0.4	\$45

Mortise Bolts .LTP not available in Distressed finishes, non-distressed equivalents: 402=102.

Turn Pieces w/ Backplates



Finish: 003, 031, 033, 044, 050, 055, 056, 060, 076, 102, 112, 190, 260, 402

Item #	Description	Price
6732.xxx	Turn Piece (Will accommodate doors up to 2.25")	\$100
6750.xxx	Turn Piece (Will accommodate doors up to 2.25")	\$100
6751.xxx	Turn Piece (Will accommodate doors up to 2.25")	\$100
6756.xxx	Turn Piece (Will accommodate doors up to 2.25")	\$100
--	For doors thicker than 2.25" order turn pieces as .EXT	\$117

6728-6764 – Turn Piece w/ Backplates

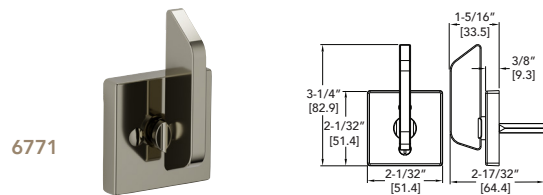
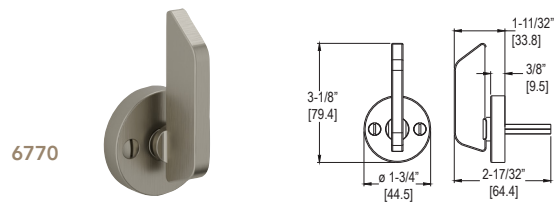
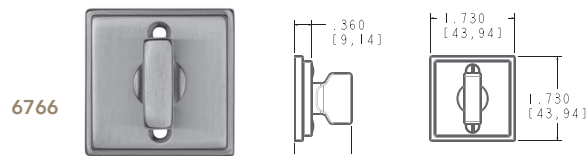
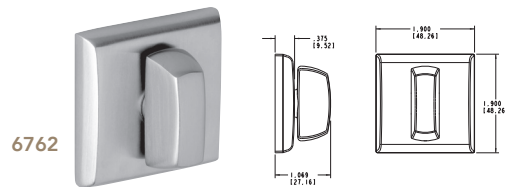
• For interior & exterior mortise locks, tubular bolts and sectional trim

6733.xxx	Turn Piece (Will accommodate doors up to 3")	\$100
6760.xxx	Turn Piece (Will accommodate doors up to 3")	\$100
6762.xxx	Turn Piece (Will accommodate doors up to 3")	\$100

NEW

Finish: 003, 031, 033, 044, 050, 055, 056, 060, 076, 102, 112, 190, 260, 402

6766.xxx	Turn Piece (Will accommodate doors up to 3")	\$100
6770.xxx	Round ADA Turn Piece	\$125
6771.xxx	Square ADA Turn Piece	\$125



IMPORTANT: To enable emergency trim to function, the turn piece must be cut to extend no farther than halfway through the bolt.

A LA CARTE
COMPONENTS

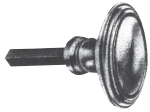
Turn Knobs



6720
Turn Knob for 6750



6721
Turn Knob for 6751 & 6756



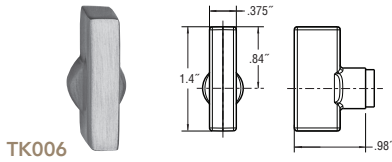
6725
Turn Knob for 6732



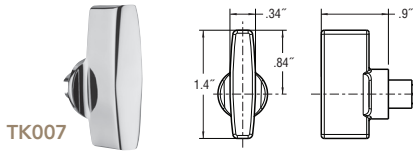
6729
Turn Knob for 6709 & 6714



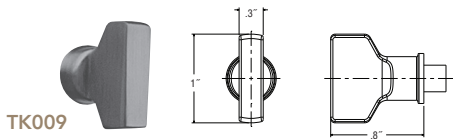
6735



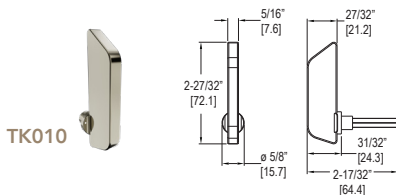
TK006



TK007



TK009



TK010

Finish: 003, 031, 033, 044, 050, 055, 056, 060, 076, 102, 112, 190, 260, 402

Item #	Description	Matching Turn Piece	Price
6720.xxx	Turn Knob	6750	\$54
6721.xxx	Turn Knob	6751 & 6756	\$54
6725.xxx	Turn Knob	6732	\$54
6729.xxx	Turn Knob	6709 & 6714	\$54

6720-6729.xxx – Turn Knobs

- For interior & exterior mortise locks, tubular bolts and sectional trim
- For interior & Exterior Trim trim or combined with ER trim to create a custom Turn Piece
- For doors up to 2.25" thick
- For doors thicker than 2.25", order .EXT – Extended Turn Knob eg. 6720.xxx.EXT
- 10% up charge for assembly of non-standard turn knobs on escutcheon plates.

6735.xxx	Turn Knob	6733, 6760, 6762	\$54
TK006.xxx	Turn Knob		\$54
TK007.xxx	Turn Knob		\$54
TK009.xxx	Turn Knob		\$54
--	Turn Knobs above .EXT (for doors thicker than 2.25")		\$63
TK010.xxx	ADA Turn Knob		\$66
TK010.xxx.EXT	Extended ADA Turn Knob		\$76

6735 Turn Knob will fit up to 3" thick doors (.EXT not necessary)

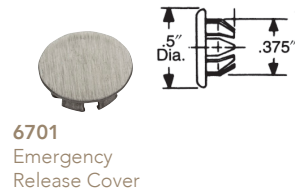
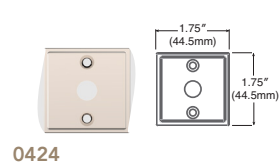
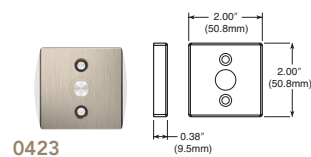
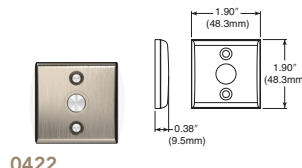
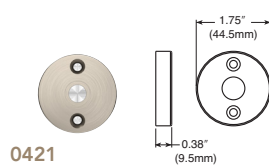
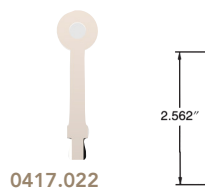
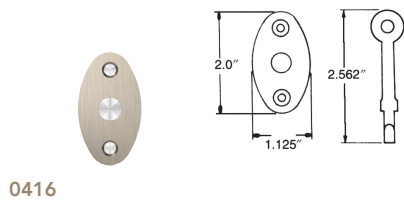
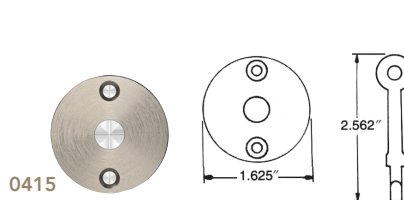
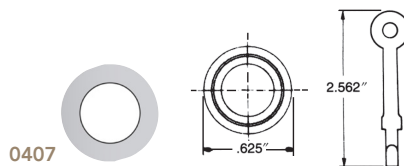
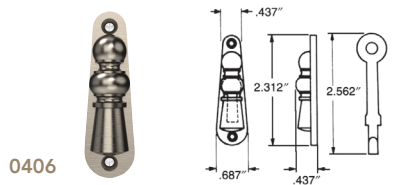
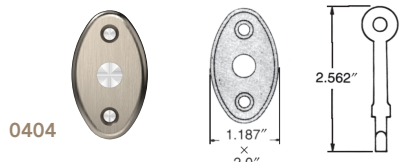
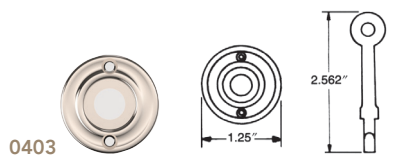
NOTE: All Turn Knobs may be used with Trim & Key Sets (page 71), or with any Emergency Egress (KE) mortise trim set.

IMPORTANT: To enable emergency trim to function, the turn piece must be cut to extend no farther than halfway through the bolt.

NOTE: Turn piece spindles are .1875" across and 3/16" square.

Trim & Key Set

All Trim sets come with Emergency Release Key



6703.xxx
Emergency
Bit Key

Finish: 003, 031, 033, 044, 050, 055, 056, 060, 076, 102, 112, 190, 260, 402

Item #	Description	Price
0403.xxx	Emergency Release Trim & 0417 Key w/ 6701 Cover	\$66
0404.xxx	Emergency Release Trim & 0417 Key w/ 6701 Cover	\$66
0406.xxx	Colonial Emergency Release Trim & Key	\$66
0407.xxx	Emergency Release Trim & 0417 Key w/ 6701 Cover	\$66
0415.xxx	Emergency Release Trim & 0417 Key w/ 6701 Cover	\$66
0416.xxx	Emergency Release Trim & 0417 Key w/ 6701 Cover	\$66
0421.xxx	Contemporary Round Emergency Release Trim & 0417 Key w/ 6701 Cover	\$66
0422.xxx	Lakeshore Emergency Release Trim & 0417 Key w/6701 Cover	\$66
0423.xxx	2" x 2" Square Emergency Release Trim & 0417 Key w/6701 Cover	\$66
0424.xxx	Emergency Release Trim (Backplate)	\$66
0417.022	Emergency Release Key - Steel	\$11
5174.022	Emergency Key Supplied w/5500 Series Privacy Latches - Steel	\$11
6701.xxx	Emergency Release Cover	\$16
6703.xxx	Emergency Key - Bit Key (Solid brass key for mortise bolts and privacy function mortise locks)	\$54

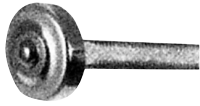
6701.xxx - Emergency Release Cover

FEATURE: Pressure applied cover
Conceals emergency release opening on privacy lock function.
Designed for use with escutcheon or emergency release trim.
All ER trims require a 1/2" face prep.

A LA CARTE
COMPONENTS

Half Dummy Rigid Mounting Closet Spindle

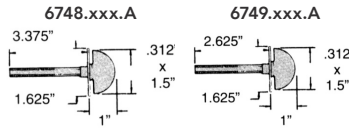
Finish: 003, 031, 033, 044, 050, 055, 056, 060, 076, 102, 112, 190, 260, 402



Half



Closet



Item #	Description	Spindle Length	Door Thickness	Price
5084.xxx.A	Half Dummy Rigid Mounting	2.25"	1.375"	\$48
6748.xxx	Closet Spindle	3.375"	1.75"	\$70
6749.xxx	Closet Spindle	2.625"	1.375"	\$70

5084.xxx – Half Dummy Rigid Mounting Spindle – ROSES

- Optional mounting in place of 5098.004.N for a more secure mounting
- Through-bolt application ideal for hollow core doors or where surface mounting is not recommended

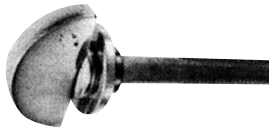
6748-6749.xxx – Closet Spindle

- For the inside of closets and low frequency use doors
 - Installation is identical to standard trim designs
 - For 2.125" pre-drilled doors, use 5081 closet spindle with 6502.009 adaptor, See Pre-drilled Doors Accessories
 - Add .A to the 6748.xxx - 6749.xxx Closet Spindles for old-styled threaded applications
- CAUTION:** Closet spindles are difficult to turn and should not be used where children, aged, or physically-handicapped people may lock themselves within a small space.

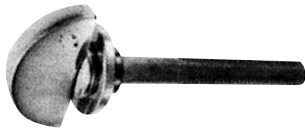
5081 & 5082

Closet Spindles – Pre-drilled Doors

Finish: 003, 031, 033, 044, 050, 055, 056, 060, 076, 102, 112, 190, 260, 402



5081



5082

Item #	Description	Spindle Length	Door Thickness	Price
5081.xxx.A	Closet Spindle	2.625"	1.375"	\$70
5082.xxx.A	Closet Spindle	3.375"	1.75"	\$70

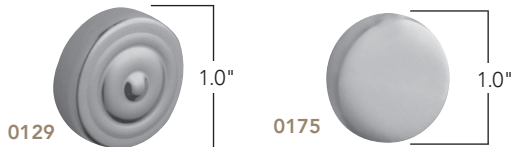
- For the inside of closets and low frequency use doors
- Mounts with 6503.009 Adaptor for pre-bored doors only

CAUTION: Closet spindles are difficult to turn and should not be used where children, aged, or physically-handicapped people may lock themselves within a small space.

Screw Covers

Specially designed to conceal the screw head

Finish: 003, 031, 033, 044, 050, 055, 056, 060, 076, 102, 112, 190, 260, 402



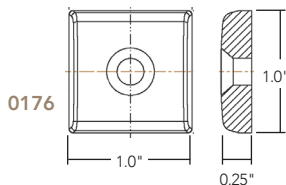
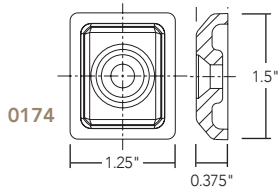
Item #	Description	Price
0129.xxx	Colonial Screw Cover	\$21
0175.xxx	Contemporary Screw Cover	\$21

- Includes threaded back plate

Screw Bases

Rectangular & Lakeshore

Finish: 003, 031, 033, 044, 050, 055, 056, 060, 076, 102, 112, 190, 260, 402



Item #	Description	Price
0174.xxx	Rectangular Screw Base	\$40
0176.xxx	Lakeshore Screw Base	\$40

0174.xxx – Rectangular Screw Base

- Specifically designed screw base

0176.xxx – Lakeshore Screw Base

- Specifically designed screw cover conceals the screw head

Installation Tools



5326.000
Rose Retainer Wrench



8480.000
Aligning Tool & Bushing



8474.000
Aligning Bushing



8481.000
Allen Wrench

Item #	Description	Price
5326.000	Rose Retainer Wrench	\$4
8474.000	Aligning Bushing (box of 50)	\$24
8480.000	Aligning Tool & Bushing	\$18
8481.000	Allen Wrench	\$3

8474.000 – Aligning Bushing

- Box of 50

8480.000 – Aligning Tool & Bushing

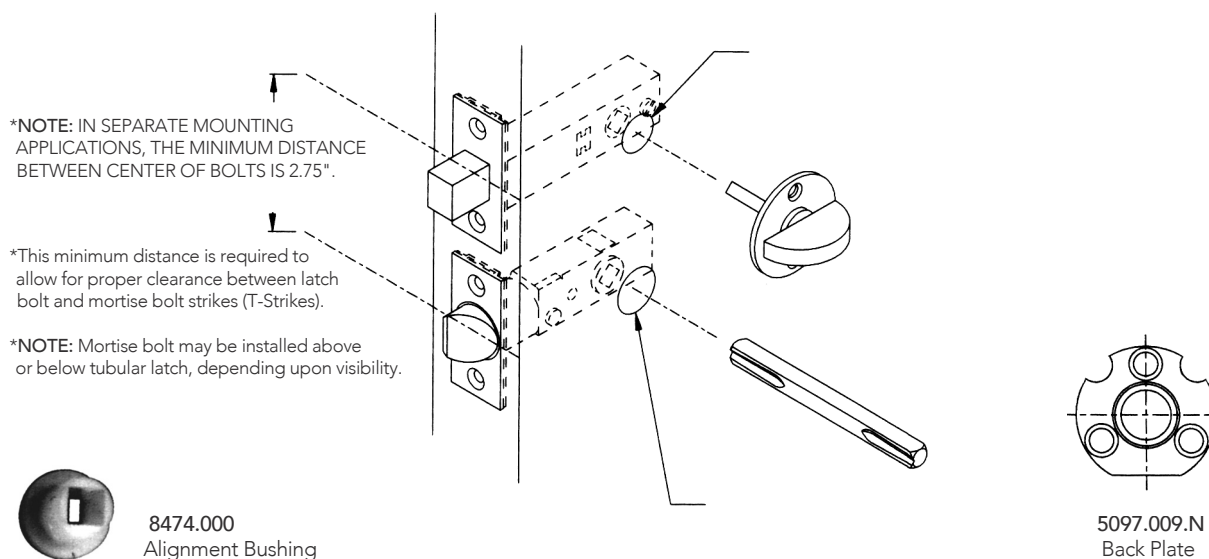
- For use in proper alignment of knobs/levers and roses with mortise locks and tubular latches

8481.000 - Allen Wrench

- For all knob and lever installations

A LA CARTE
COMPONENTS

TUBULAR LATCH INSTALLATION W/ ALIGNING BUSHING



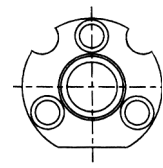
*NOTE: IN SEPARATE MOUNTING APPLICATIONS, THE MINIMUM DISTANCE BETWEEN CENTER OF BOLTS IS 2.75".

*This minimum distance is required to allow for proper clearance between latch bolt and mortise bolt strikes (T-Strikes).

*NOTE: Mortise bolt may be installed above or below tubular latch, depending upon visibility.



8474.000
Alignment Bushing



5097.009.N
Back Plate

Use of 8474.000 Aligning Bushing will facilitate installation of trim. Trim must be in alignment with latch and spindle to prevent binding.

- Install latch and strike per template instructions.
- Insert spindle through latch.
- Position 5097.009.N Back Plates over spindle and insert 8474.000 Alignment Bushings.
- Center mark and install screws into back plates and remove 8474.000 Alignment Bushings.
- Install trim.

MORTISE BOLT INSTALLATION

When installing mortise bolts, ALWAYS check width of Emergency Release Trim before drilling face bore. Standard bore is .625" (16mm) completely through door. Emergency Release Trim 0406 and 0407 require a .5" (13mm) bore on outside face of door; a .625" (16mm) bore on inside face of door.

IMPORTANT: When Emergency Release Trim is used, the turn piece spindle must be cut to extend no farther than halfway through the bolt.

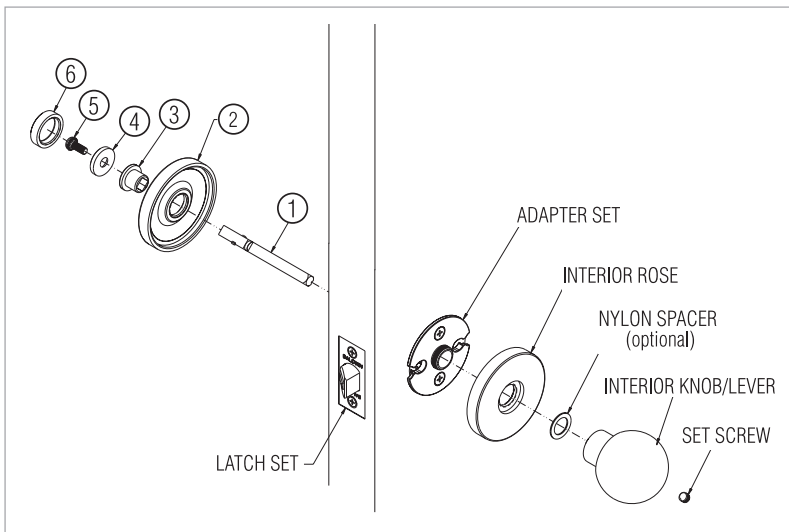
- **Communicating Door Kit:** For use in conjunction with Baldwin patio deadbolt
Includes: swivel spindle, rose and screw cover for oppsite side of Communicating Door
- Function: Security between (hotel) rooms with limited space between doors
- Communicating door side compatible with any LARGE thread-on rose style (5048 rose included)
- Immediate availability in standard Estate finishes

Commonly found between two hotel rooms where a functional latch is still required, and limited space between doors does not allow for trim to be installed on exterior sides.

Security between rooms is accomplished with a standard patio dead bolt. Latch & trim offer normal passage functionality on interior, while completing the aesthetic requirement of a complete trim set on the door.

Door kits include components needed to complete communicating door installation:

- Estate 5048 thread-on passage rose and 0129 screw cover
- Components 1- 6 shown below
- Kits designed to work with standard communicating door thickness of 1.75"
- 6503.009, 6504.009 and 6507.009 adaptor, latch, knob/lever are not included



- | | |
|-------------------|-------------------------|
| 1) 0529.028.T5212 | Swivel Spindle Assembly |
| 2) 5048.xxx.1 | Rose |
| 3) 8480.800.00015 | Alignment Bushing |
| 4) 5084.009.0002 | Back Plate |
| 5) 1141.028.00009 | 10-32 X 1/2 Bolt |
| 6) 0129.XXX | Colonial Screw Cover |

LIST PRICING

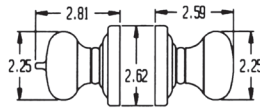
SKU	
5187.xxx	\$108

*KEYED KNOBS
& LEVERS*



5205 Classic Keyed Knob

Pre-Configured w/ Classic Rose



Pre-Configured

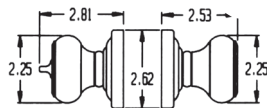
Finish: 003, 031, 033, 044 050, 055, 056, 060, 076, 102, 112, 190, 260, 402

Item #	Description		Price
5205.xxx.ENTR	Emergency Exit	3.1	\$354
5206.xxx.ENTR	Emergency Exit: 1 7/8" to 2 1/4" doors	3.1	\$354
5205.xxx.FD	Full Dummy	1.9	\$305
5206.xxx.FD	Full Dummy: 1 7/8" to 2 1/4" doors	1.9	\$305
5208.xxx.ENTR	Standard	3.1	\$354
5209.xxx.ENTR	Standard: 1 7/8" to 2 1/4" doors	3.1	\$354

NOTE: All sets include a 2 3/8" or 2 3/4" adjustable backset latch. Split finish available, please contact customer service for special order instructions.

5210 Colonial Keyed Knob

Pre-Configured w/ R030 Rose



Pre-Configured

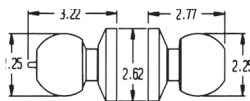
Finish: 003, 031, 033, 044 050, 055, 056, 060, 076, 102, 112, 190, 260, 402

Item #	Description		Price
5210.xxx.ENTR	Emergency Exit	3.1	\$354
5211.xxx.ENTR	Emergency Exit: 1 7/8" to 2 1/4" doors	3.1	\$354
5210.xxx.FD	Full Dummy	2.1	\$305
5211.xxx.FD	Full Dummy: 1 7/8" to 2 1/4" doors	2.1	\$305
5213.xxx.ENTR	Standard	3.1	\$354
5214.xxx.ENTR	Standard: 1 7/8" to 2 1/4" doors	3.1	\$354

NOTE: All sets include a 2 3/8" or 2 3/4" adjustable backset latch. Split finish available, please contact customer service for special order instructions.

5215 Modern Keyed Knob

Pre-Configured w/ Contemporary Rose



Pre-Configured

Finish: 003, 031, 033, 044 050, 055, 056, 060, 076, 102, 112, 190, 260, 402

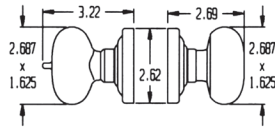
Item #	Description		Price
5215.xxx.ENTR	Emergency Exit	3.4	\$354
5216.xxx.ENTR	Emergency Exit: 1 7/8" to 2 1/4" doors	3.4	\$354
5215.xxx.FD	Full Dummy	2.5	\$305
5216.xxx.FD	Full Dummy: 1 7/8" to 2 1/4" doors	2.5	\$305
5218.xxx.ENTR	Standard	3.4	\$354
5219.xxx.ENTR	Standard: 1 7/8" to 2 1/4" doors	3.4	\$354

NOTE: All sets include a 2 3/8" or 2 3/4" adjustable backset latch. Split finish available, please contact customer service for special order instructions.

KEYED ENTRY
KNOBS AND LEVERS

5225 Egg Keyed Knob

Pre-Configured w/ Classic Rose 



Pre-Configured

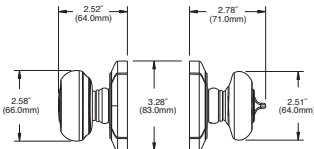
Finish: 003, 031, 033, 044 050, 055, 056, 060, 076, 102, 112, 190, 260, 402

Item #	Description		Price
5225.xxx.ENTR	Emergency Exit	3.6	\$354
5226.xxx.ENTR	Emergency Exit: 1 7/8" to 2 1/4" doors	3.6	\$354
5225.xxx.FD	Full Dummy	3.0	\$305
5226.xxx.FD	Full Dummy: 1 7/8" to 2 1/4" doors	3.0	\$305
5228.xxx.ENTR	Standard	3.6	\$354
5229.xxx.ENTR	Standard: 1 7/8" to 2 1/4" doors	3.6	\$354

NOTE: All sets include a 2 3/8" or 2 3/4" adjustable backset latch.
Split finish available, please contact customer service for special order instructions.

5237 Bethpage Keyed Knob

Pre-Configured w/ Bethpage Rose 



Pre-Configured

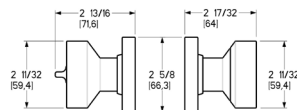
Finish: 003, 031, 033, 044 050, 055, 056, 060, 076, 102, 112, 190, 260, 402

Item #	Description		Price
5237.xxx.ENTR	Emergency Exit	3.6	\$354
5238.xxx.ENTR	Emergency Exit: 1 7/8" to 2 1/4" doors	3.6	\$354
5237.xxx.FD	Full Dummy	3.0	\$305
5238.xxx.FD	Full Dummy: 1 7/8" to 2 1/4" doors	3.0	\$305
5239.xxx.ENTR	Standard	3.6	\$354
5241.xxx.ENTR	Standard: 1 7/8" to 2 1/4" doors	3.0	\$354

NOTE: All sets include a 2 3/8" or 2 3/4" adjustable backset latch.
Split finish available, please contact customer service for special order instructions.

5230 Minneapolis Keyed Knob

Pre-Configured w/ Round Rose 



Pre-Configured

Finish: 003, 031, 033, 044, 055, 056, 076, 102, 112, 190, 260

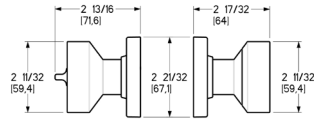
Item #	Description		Price
5230.xxx.ENTR	Emergency Exit	3.6	\$354
5231.xxx.ENTR	Emergency Exit: 1 7/8" to 2 1/4" doors	3.6	\$354
5230.xxx.FD	Full Dummy	3.0	\$305
5231.xxx.FD	Full Dummy: 1 7/8" to 2 1/4" doors	3.0	\$305
5233.xxx.ENTR	Standard	3.6	\$354
5234.xxx.ENTR	Standard: 1 7/8" to 2 1/4" doors	3.0	\$354

NOTE: All sets include a 2 3/8" or 2 3/4" adjustable backset latch.
Split finish available, please contact customer service for special order instructions.

KEYED ENTRY
KNOBS AND LEVERS

5250 Minneapolis Keyed Knob

Pre-Configured w/ Square Rose 



Pre-Configured

Finish: 003, 031, 033, 044, 055, 056, 076, 102, 112, 190, 260

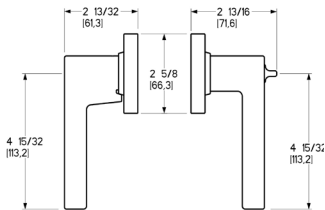
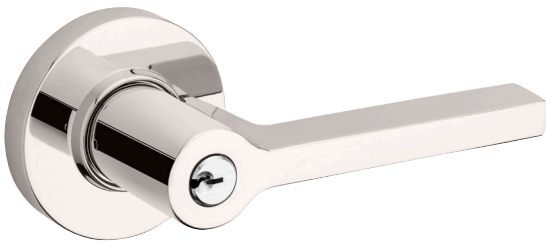
Item #	Description		Price
5250.xxx.ENTR	Emergency Exit	4.3	\$354
5251.xxx.ENTR	Emergency Exit: 1 7/8" to 2 1/4" doors	4.3	\$354
5250.xxx.FD	Full Dummy	3.1	\$305
5251.xxx.FD	Full Dummy: 1 7/8" to 2 1/4" doors	3.1	\$305
5253.xxx.ENTR	Standard	4.3	\$354
5254.xxx.ENTR	Standard: 1 7/8" to 2 1/4" doors	4.3	\$354

NOTE: All sets include a 2 3/8" or 2 3/4" adjustable backset latch. Split finish available, please contact customer service for special order instructions.7.

KEYED ENTRY
KNOBS AND LEVERS

5260 Minneapolis Keyed Lever

Pre-Configured w/ Round Rose 



Pre-Configured

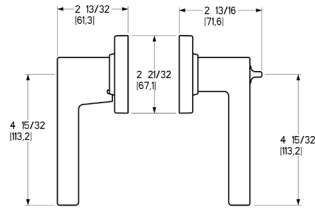
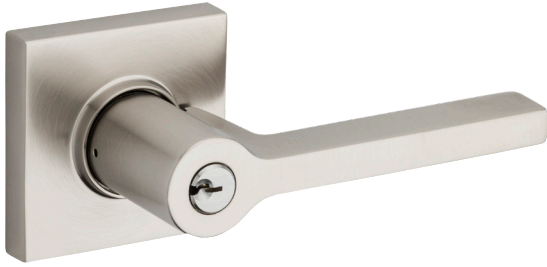
Finish: 003, 031, 033, 044, 055, 056, 076, 102, 112, 190, 260

Item #	Description		Price
5260.xxx.RENT	RIGHT Hand Emergency Exit	3.6	\$354
5260.xxx.LENT	LEFT Hand Emergency Exit	3.6	\$354
5261.xxx.RENT	RIGHT Hand Emergency Exit: 1 7/8" to 2 1/4" doors	3.6	\$354
5261.xxx.LENT	LEFT Hand Emergency Exit: 1 7/8" to 2 1/4" doors	3.6	\$354
5260.xxx.FD	Full Dummy	3.1	\$305
5261.xxx.FD	Full Dummy: 1 7/8" to 2 1/4" doors	3.1	\$305
5263.xxx.RENT	RIGHT Hand Standard	3.6	\$354
5263.xxx.LENT	LEFT Hand Standard	3.6	\$354
5264.xxx.RENT	RIGHT Hand Standard: 1 7/8" to 2 1/4" doors	3.6	\$354
5264.xxx.LENT	LEFT Hand Standard: 1 7/8" to 2 1/4" doors	3.6	\$354

NOTE: All sets include a 2 3/8" or 2 3/4" adjustable backset latch. Split finish available, please contact customer service for special order instructions.

5285 Minneapolis Keyed Lever

Pre-Configured w/ Square Rose 



Pre-Configured

Finish: 003, 031, 033, 044, 055, 056, 076, 102, 112, 190, 260

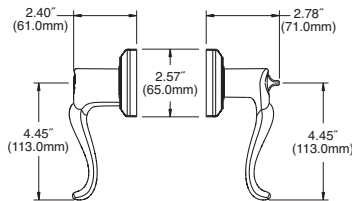
Item #	Description		Price
5285.xxx.RENT	RIGHT Hand Emergency Exit	3.7	\$354
5285.xxx.LENT	LEFT Hand Emergency Exit	3.7	\$354
5286.xxx.RENT	RIGHT Hand Emergency Exit: 1 7/8" to 2 1/4" doors	3.7	\$354
5286.xxx.LENT	LEFT Hand Emergency Exit: 1 7/8" to 2 1/4" doors	3.7	\$354
5285.xxx.FD	Full Dummy	3.2	\$305
5286.xxx.FD	Full Dummy: 1 7/8" to 2 1/4" doors	3.2	\$305
5288.xxx.RENT	RIGHT Hand Standard	3.7	\$354
5288.xxx.LENT	LEFT Hand Standard	3.7	\$354
5289.xxx.RENT	RIGHT Hand Standard: 1 7/8" to 2 1/4" doors	3.7	\$354
5289.xxx.LENT	LEFT Hand Standard: 1 7/8" to 2 1/4" doors	3.7	\$354

NOTE: All sets include a 2 3/8" or 2 3/4" adjustable backset latch.
Split finish available, please contact customer service for special order instructions.

KEYED ENTRY
KNOBS AND LEVERS

5237 Bethpage Keyed Lever

Pre-Configured w/ Bethpage Rose 



Pre-Configured

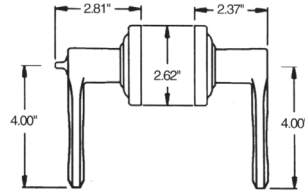
Finish: 003, 031, 033, 044, 050, 055, 056, 060, 076, 102, 112, 190, 260, 402

Item #	Description		Price
5237.xxx.RENT	RIGHT Hand Emergency Exit	2.2	\$354
5237.xxx.LENT	LEFT Hand Emergency Exit	2.2	\$354
5238.xxx.RENT	RIGHT Hand Emergency Exit: 1 7/8" to 2 1/4" doors	2.2	\$354
5238.xxx.LENT	LEFT Hand Emergency Exit: 1 7/8" to 2 1/4" doors	2.2	\$354
5237.xxx.FD	Full Dummy	2.0	\$305
5238.xxx.FD	Full Dummy: 1 7/8" to 2 1/4" doors	2.0	\$305
5239.xxx.RENT	RIGHT Hand Standard	2.2	\$354
5239.xxx.LENT	LEFT Hand Standard	2.2	\$354
5241.xxx.RENT	RIGHT Hand Standard: 1 7/8" to 2 1/4" doors	2.2	\$354
5241.xxx.LENT	LEFT Hand Standard: 1 7/8" to 2 1/4" doors	2.2	\$354

NOTE: All sets include a 2 3/8" or 2 3/4" adjustable backset latch.
Split finish available, please contact customer service for special order instructions.

5245 Classic Keyed Lever

Pre-Configured w/ Classic Rose 



KEYED ENTRY
KNOBS AND LEVERS

Pre-Configured

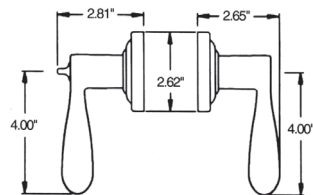
Finish: 003, 031, 033, 044, 050, 055, 056, 060, 076, 102, 112, 190, 260, 402

Item #	Description		Price
5245.xxx.RENT	RIGHT Hand Emergency Exit	3.9	\$354
5245.xxx.LENT	LEFT Hand Emergency Exit	3.9	\$354
5246.xxx.RENT	RIGHT Hand Emergency Exit: 1 7/8" to 2 1/4" doors	3.5	\$354
5246.xxx.LENT	LEFT Hand Emergency Exit: 1 7/8" to 2 1/4" doors	3.5	\$354
5245.xxx.LRFD	Full Dummy	3.0	\$305
5246.xxx.LRFD	Full Dummy: 1 7/8" to 2 1/4" doors	3.0	\$305
5248.xxx.RENT	RIGHT Hand Standard	3.9	\$354
5248.xxx.LENT	LEFT Hand Standard	3.9	\$354
5249.xxx.RENT	RIGHT Hand Standard: 1 7/8" to 2 1/4" doors	3.5	\$354
5249.xxx.LENT	LEFT Hand Standard: 1 7/8" to 2 1/4" doors	3.5	\$354

NOTE: All sets include a 2 3/8" or 2 3/4" adjustable backset latch.
Split finish available, please contact customer service for special order instructions.

5255 Wave Keyed Lever

Pre-Configured w/ Classic Rose 



Pre-Configured

Finish: 003, 031, 033, 044, 050, 055, 056, 060, 076, 102, 112, 190, 260, 402

Item #	Description		Price
5255.xxx.RENT	RIGHT Hand Emergency Exit	2.8	\$354
5255.xxx.LENT	LEFT Hand Emergency Exit	2.8	\$354
5256.xxx.RENT	RIGHT Hand Emergency Exit: 1 7/8" to 2 1/4" doors	2.8	\$354
5256.xxx.LENT	LEFT Hand Emergency Exit: 1 7/8" to 2 1/4" doors	2.8	\$354
5255.xxx.FD	Full Dummy	2.0	\$305
5256.xxx.FD	Full Dummy: 1 7/8" to 2 1/4" doors	2.0	\$305
5258.xxx.RENT	RIGHT Hand Standard	2.8	\$354
5258.xxx.LENT	LEFT Hand Standard	2.8	\$354
5259.xxx.RENT	RIGHT Hand Standard: 1 7/8" to 2 1/4" doors	2.8	\$354
5259.xxx.LENT	LEFT Hand Standard: 1 7/8" to 2 1/4" doors	2.8	\$354

NOTE: All sets include a 2 3/8" or 2 3/4" adjustable backset latch.
Split finish available, please contact customer service for special order instructions.

DEADBOLTS



8000 Series

LOW PROFILE CYLINDER DEADBOLT FOR 1 5/8" (41mm) DOOR PREP

All deadbolts feature a 1/2" low-profile cylinder projection.

CASE: Deadbolt case is formed of heavy gauge steel for strength and assures solid fit in door preparations. Most interior working parts are made of solid brass for maximum strength and smooth operation.

DEADBOLT: All deadbolts are of solid brass construction. Deadbolt has .600" x .770" x 1" (15 x 20 x 25mm) throw when extended and a hardened steel insert for maximum protection and security. Deadbolt is furnished in 040 and 264 finishes to match trim.

GRADE 1: Select deadbolts meet Grade 1 Requirements as set forth in ANSI A156.5 Test Sections 9.1-9.11 & 10.1-10.9.

BACKSET: Adjustable backset deadbolt 2 3/8" (60mm) or 2 3/4" (70mm). NON-HANDED design facilitates specification and installation.

STRIKE: Every deadbolt illustrated in this section is furnished with a specially-designed reinforcing strike constructed of high grade steel for ultimate strength and durability. The strike is installed with four (4) security jamb screws (including two (2) 3" screws) and a dust box and is covered with an armored front to conceal the fasteners. The 3" screws securing the reinforcing strike resist tampering and guard against theft.

CYLINDERS: The cylinder housing is protected with a free-turning exterior cylinder guard fabricated from solid brass to resist gripping or twisting. Cylinders are supplied standard with 03 keyway and two nickel silver keys. All deadbolts are furnished with 5-pin keying.

KEYING: Each cylinder is provided with 2 keys. Service part available for additional keys. Keys are designed with a 1 1/4" (32mm) wide bow surface.

PACKAGING: Packaged one deadbolt per box with security strike, dust box and keys. All products are packaged in contractor packaging.

WEIGHT: 1.8 lbs. each (.81kg); 10.8 lbs. (4.86kg) per case for standard package.

DOOR CONDITIONS: Deadbolts fit 1 5/8" (41mm) diameter cutouts. Trim rings No. 8090 available for doors drilled with 2 1/8" (54mm) diameter holes.

DOOR THICKNESS: Deadbolts fit 1 3/4" (44mm) thick doors. Deadbolt kits are available for 2" (51mm) and 2 1/4" (57mm) thick doors at an additional charge. Door spacers No. 8097 are required for 1 3/8" (35mm) thick doors (available for the 8041, 8011, 8031 & 8021 deadbolts only).

8200 Series

LOW PROFILE CYLINDER DEADBOLT FOR 2 1/8" (54mm) DOOR PREP

All information identical to 8000 SERIES except where noted here

WEIGHT: 2.2 lbs. each (.99kg); 13.2 lbs. per case (5.94kg).

DOOR CONDITIONS: Deadbolts fit 2 1/8" (54mm) diameter cutouts.

DOOR THICKNESS: Deadbolts fit 1 3/4" (44mm) thick doors. Deadbolt kits are available for 2" (51mm) and 2 1/4" (57mm) thick doors at an additional charge. Door spacers No. 8297 are required for 1 3/8" (35mm) thick doors (8241, 8242, 8231, 8232 only).

Thick Door Kits are available for both the 8000 and 8200 series deadbolts. Single Cylinder Thick Door Kit: 8098.000.TP03, Double Cylinder Thick Door Kit: 8098.000.DC03 and Patio Thick Door Kit: 8031.028.TP31

8220, 8221 Contemporary Deadbolt – 2 1/8" Door Prep



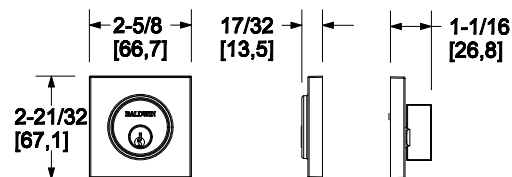
Finish: 003, 031, 033, 044, 050, 055, 056, 060, 076, 102, 112, 190, 260, 402

Item #	Description	Wt.	Price
8220.xxx	Single cylinder deadbolt	1.7	\$196
8221.xxx	Double cylinder deadbolt	1.9	\$226

NOTE: Not Available for 1 3/8" thick doors.

STEEL CASE: .960" d. x 3.312" or 3.75" extended (24 x 84 or 95mm)

FRONT: .156" x 1" x 2.25" (4 x 25 x 57mm)



8244 Contemporary Deadbolt – 2 1/8" Door Prep



Finish: 003, 031, 033, 044, 050, 055, 056, 060, 076, 102, 112, 190, 260, 402

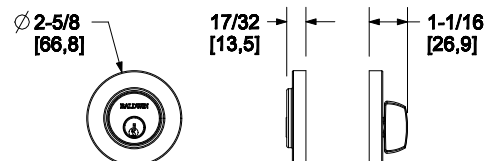
Item #	Description	Wt.	Price
8244.xxx	Single cylinder deadbolt	2.0	\$196
8244.xxx.PAT	Patio deadbolt	1.2	\$150

NOTE: Not Available as a double cylinder. Also Not Available for 1 3/8" thick doors.

STEEL CASE: .960" d. x 3.312" or 3.750" extended (24 x 84 or 95mm)

FRONT: .156" x 1" x 2.25" (4 x 25 x 57mm)

NOTE: For Patio deadbolt, refer to instruction sheet for special door preparation.



*QUICK SHIP is available in functions and finishes shown in red.

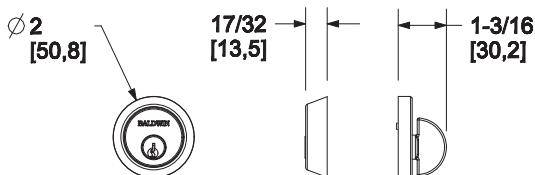
8011, 8041 Contemporary Deadbolt – 1 5/8" Door Prep



Finish: 003, 031, 033, 044, 050, 055, 056, 060, 076, 102, 112, 190, 260, 402

Item #	Description	Wt.	Price
8041.xxx	Single cylinder deadbolt	1.7	\$156
8011.xxx	Double cylinder deadbolt	1.9	\$189

STEEL CASE: .960" d. x 3.312" or 3.75" extended (24 x 84 or 95mm)
 FRONT: .156" x 1" x 2.25" (4 x 25 x 57mm)



8241, 8242 Contemporary Deadbolt – 2 1/8" Door Prep

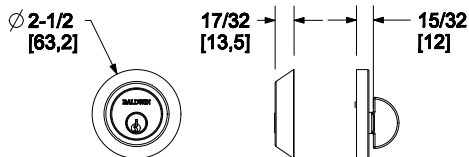


Finish: 003, 031, 033, 044, 050, 055, 056, 060, 076, 102, 112, 190, 260, 402

Item #	Description	Wt.	Price
8241.xxx	Single cylinder deadbolt	2.1	\$156
8242.xxx	Double cylinder deadbolt	2.4	\$189
8241.xxx.PAT	Patio deadbolt	1.1	\$117

STEEL CASE: .960" d. x 3.312" or 3.750" extended (24 x 84 or 95mm)
 FRONT: .156" x 1" x 2.25" (4 x 25 x 57mm)

Patio Deadbolt: Refer to instruction sheet for special door preparation



8241.xxx.PAT

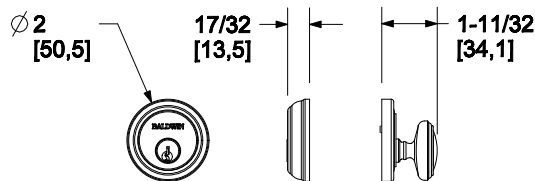
8021, 8031 Traditional Deadbolt – 1 5/8" Door Prep



Finish: 003, 031, 033, 044, 050, 055, 056, 060, 076, 102, 112, 190, 260, 402

Item #	Description	Wt.	Price
8031.xxx	Single cylinder deadbolt	1.8	\$156
8021.xxx	Double cylinder deadbolt	2.0	\$189

STEEL CASE: .960" d. x 3.312" or 3.750" extended (24 x 84 or 95mm)
 FRONT: .156" x 1" x 2.25" (4 x 25 x 57mm)



*QUICK SHIP is available in functions and finishes shown in red.

DEADBOLTS

8231, 8232 Traditional Deadbolt – 2 1/8" Door Prep

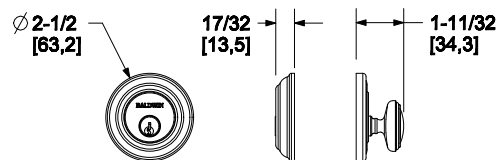


Finish: 003, 031, 033, 044, 050, 055, 056, 060, 076, 102, 112, 190, 260, 402

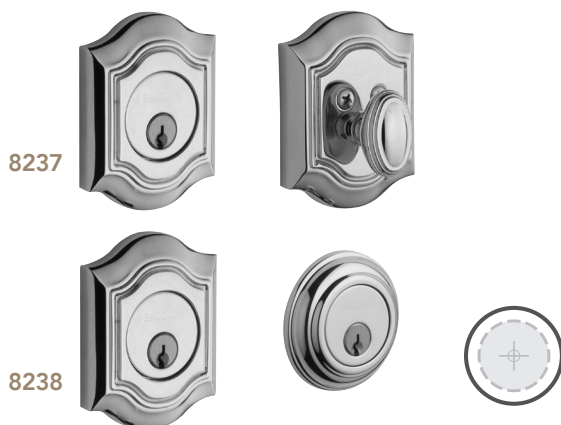
Item #	Description	Wt.	Price
8231.xxx	Single cylinder deadbolt	2.2	\$156
8232.xxx	Double cylinder deadbolt	2.4	\$189
8231.xxx.PAT	Patio deadbolt	1.1	\$117

STEEL CASE: .960" d. x 3.312" or 3.75" extended (24 x 84 or 95mm)
FRONT: .156" x 1" x 2.25" (4 x 25 x 57mm)

Patio Deadbolt: Refer to instruction sheet for special door preparation



8237, 8238 Bethpage™ Deadbolt – 2 1/8" Door Prep



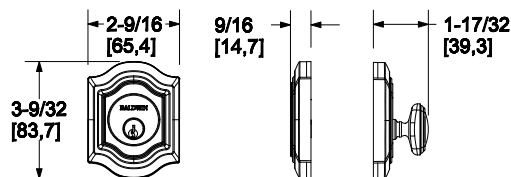
Finish: 003, 031, 033, 044, 050, 055, 056, 060, 076, 102, 112, 190, 260, 402

Item #	Description	Wt.	Price
8237.xxx	Single cylinder deadbolt	2.1	\$196
8238.xxx	Double cylinder deadbolt	2.4	\$226

NOT AVAILABLE FOR 1 3/8" THICK DOORS.

STEEL CASE: .960" d. x 3.312" or 3.750" extended (24 x 84 or 95mm)
FRONT: .156" x 1" x 2.25" (4 x 25 x 57mm)

COLLAR DIMENSION: 2.63"W X 3.25"H X 0.5"D (66 X 81 X 13mm)



8252, 8253 Arched Deadbolt – 2 1/8" Door Prep



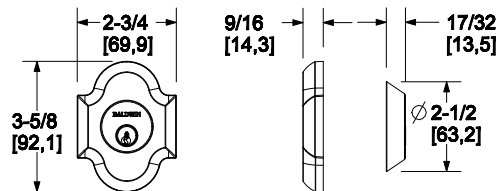
Finish: 003, 031, 033, 044, 050, 055, 056, 060, 076, 102, 112, 190, 260, 402

Item #	Description	Wt.	Price
8252.xxx	Single cylinder deadbolt	2.0	\$196
8253.xxx	Double cylinder deadbolt	2.0	\$226

NOT AVAILABLE FOR 1 3/8" THICK DOORS.

STEEL CASE: .960" d. x 3.312" or 3.750" extended (24 x 84 or 95mm)
FRONT: .156" x 1" x 2.25" (4 x 25 x 57mm)

COLLAR DIMENSION: 2.75"W X 3.62"H X 0.5"D (70 X 92 X 13mm)



*QUICK SHIP is available in functions and finishes shown in red.

8254, 8255 Squared Deadbolt – 2 1/8" Door Prep



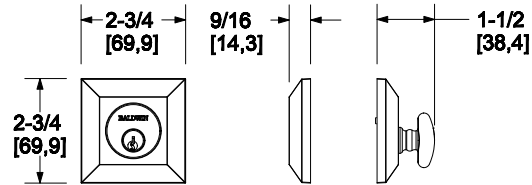
8254

8255

Finish: 003, 031, 033, 044, 050, 055, 056, 060, 076, 102, 112, 190, 260, 402

Item #	Description	Wt.	Price
8254.xxx	Single cylinder deadbolt	2.0	\$196
8255.xxx	Double cylinder deadbolt	2.0	\$226

NOT AVAILABLE FOR 1 3/8" THICK DOORS.
 STEEL CASE: .960" d. x 3.312" or 3.750" extended (24 x 84 or 95mm)
 FRONT: .156" x 1" x 2.25" (4 x 25 x 57mm)
 COLLAR DIMENSION: 2.73" W X 3.62" H X 0.5" D (70 X 92 X 13mm)



8260, 8261 Hollywood Hills - 2 1/8" Door Prep



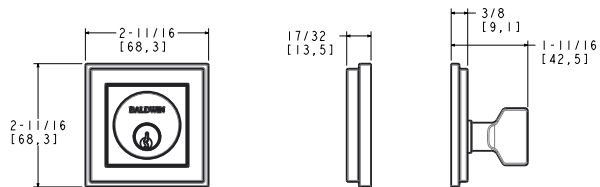
8260

8261

Finish: 003, 031, 033, 044, 050, 055, 056, 060, 076, 102, 112, 190, 260, 402

Item #	Description	Wt.	Price
8260.xxx	Single cylinder deadbolt	2.1	\$196
8261.xxx	Double cylinder deadbolt	2.4	\$226

NOT AVAILABLE FOR 1 3/8" THICK DOORS.
 STEEL CASE: .960" d. x 3.312" or 3.75" extended (24 x 84 or 95mm)
 FRONT: .156" x 1" x 2.25" (4 x 25 x 57mm)
 COLLAR DIMENSION: 2.75" W X 2.88" H X 0.5" D (70 X 73 X 13mm)



8285, 8286 Soho Deadbolt – 2 1/8" Door Prep



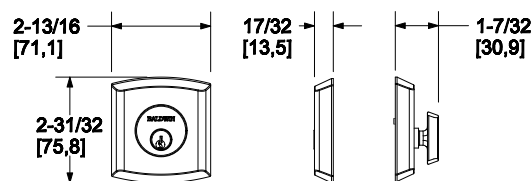
8285

8286

Finish: 003, 031, 033, 044, 050, 055, 056, 060, 076, 102, 112, 190, 260, 402

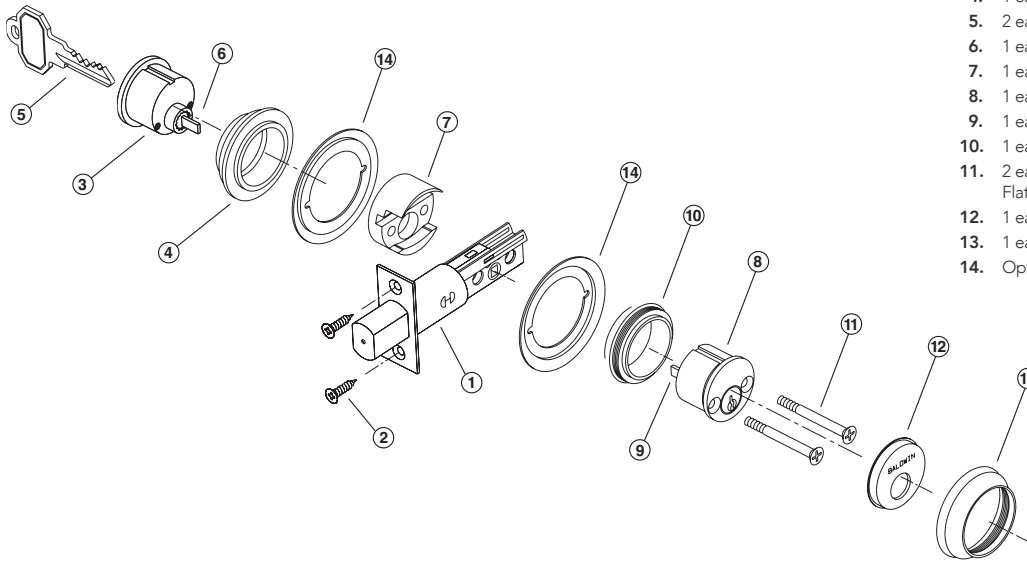
Item #	Description	Wt.	Price
8285.xxx	Single cylinder deadbolt	2.2	\$196
8286.xxx	Double cylinder deadbolt	2.4	\$226

NOT AVAILABLE FOR 1 3/8" THICK DOORS.
 STEEL CASE: .960" d. x 3.312" or 3.75" extended (24 x 84 or 95mm)
 FRONT: .156" x 1" x 2.25" (4 x 25 x 57mm)
 COLLAR DIMENSION: 2.75" W X 2.88" H X 0.5" D (70 X 73 X 13mm)



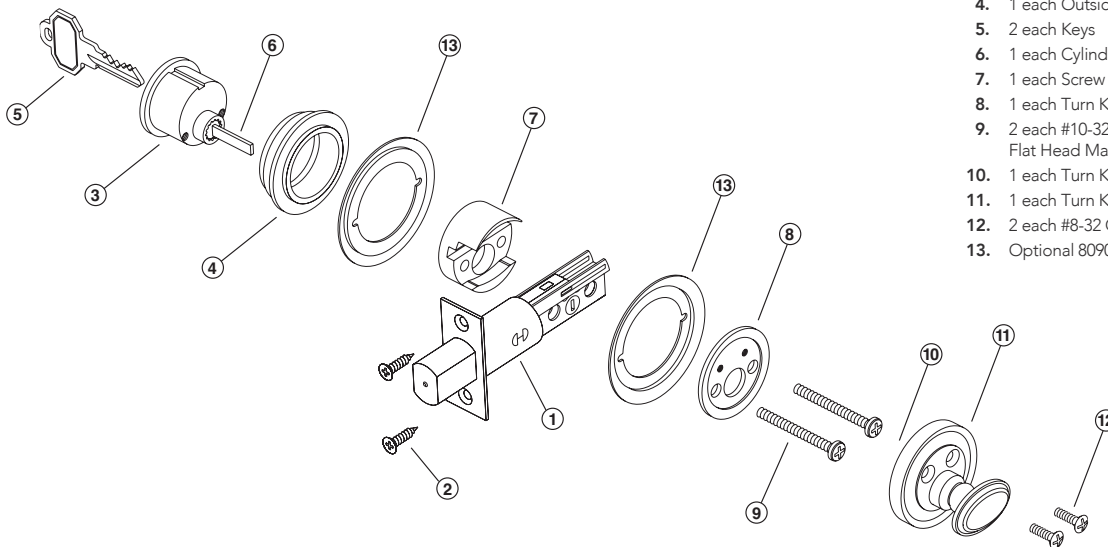
*QUICK SHIP is available in functions and finishes shown in red.

Double Cylinder Deadbolt



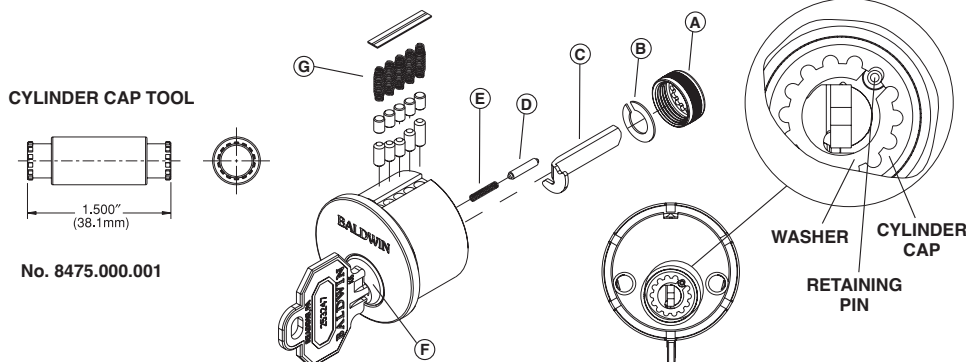
- 1. 1 each Adjustable Backset Deadbolt
- 2. 4 each #8.75" Flathead Combination Screws
- 3. 1 each Outside Cylinder
- 4. 1 each Outside Cylinder Collar
- 5. 2 each Keys
- 6. 1 each Outside Cylinder Tail Piece
- 7. 1 each Screw Guide
- 8. 1 each Inside Cylinder
- 9. 1 each Inside Cylinder Tail Piece
- 10. 1 each Threaded Collar
- 11. 2 each #10-32 x 2 1/4" Flat Head Machine Screws
- 12. 1 each Cylinder Cover
- 13. 1 each Inside Collar
- 14. Optional 8090 Trim Rings

Single Cylinder Deadbolt



- 1. 1 each Adjustable Backset Deadbolt
- 2. 4 each #8-32 x 3/4" Flat Head Machine Screws
- 3. 1 each Outside Cylinder
- 4. 1 each Outside Cylinder Collar
- 5. 2 each Keys
- 6. 1 each Cylinder Tail Piece
- 7. 1 each Screw Guide
- 8. 1 each Turn Knob Mounting Plate
- 9. 2 each #10-32 x 2 1/4" Flat Head Machine Screws
- 10. 1 each Turn Knob Tail Piece
- 11. 1 each Turn Knob Trim
- 12. 2 each #8-32 Oval Head Machine Screws
- 13. Optional 8090 Trim Rings

Cylinder Exploded View



- A. Cylinder Plug Cap (8011.039.0027)
- B. Washer (8011.028.0025)
- C. Tail Piece
- D. Retaining Pin (8011.039.0023)
- E. Spring (8011.109.0022)
- F. Cylinder Plug
- G. Tumbler Springs (8300.109.005)

Strikes, Cylinders & Turnpiece Components

Item #	Description	U/M.	Wt.	003, 050, 055 056, 076, 102, 112, 190, 260, 402	
					Not Finished
8000.xxx.RSTR	Radius corner deadbolt strike	each	0.2	\$16	—
8000.xxx.STR	Standard security deadbolt strike	each	0.2	\$16	—
8000.849.STR3	Dust box	each	0.1	—	\$8

Item #	Description	U/M.	Wt.	003, 031, 033, 044, 050, 055, 056, 060, 076, 102, 112, 190, 260, 402		Other Finishes (As Marked)
8011.xxx.0020	Inside cylinder cap for double cylinder assembly	each	0.1	\$23	—	
8011.039.0021	Cylinder threaded sleeve for mounting inside of double cylinder deadbolt	each	0.2	—	\$13	
8011.109.0031	Tumbler springs	100/ pkg	0.1	—	\$33	
8030.xxx.0003	Traditional outside cylinder collar (8000 series, 1 5/8" prep)	each	2.0	\$45	\$45	
8030.xxx.0005	Traditional inside cylinder collar (8000 series, 1 5/8" prep)	each	2.0	\$45	\$45	
8030.xxx.0510	Traditional turn knob assembly (8000 series, 1 5/8" prep)	each	0.3	\$99	—	
8031.028.TP11	Turn piece tail piece, older style handleset	each		—	\$4	
8031.509.SH18	Pan head thru-bolt	each	0.1	—	\$4	
8040.xxx.0004	Contemporary round outside cylinder collar	each	0.3	\$45	\$45	
8040.xxx.0006	Contemporary round inside cylinder collar	each	0.2	\$45	—	
8040.xxx.0510	Contemporary round turn knob assembly	each	0.3	\$99	—	
8237.xxx.0510	Bethpage turn knob Assembly	each	0.4	\$99	—	
8053.028.TP1	Cylinder tail piece for double cylinder deadbolt — up to 2 1/4" doors	each	0.2	—	\$5	
8053.028.TP4	Cylinder tail piece for single cylinder deadbolt — 1 3/4" doors	each	0.2	—	\$5	
8053.028.TP525	Cylinder tail piece for single cylinder deadbolt — 1 7/8" to 2 1/4" doors	each	0.2	—	\$5	
8053.028.TP3	Cylinder tail piece for single cylinder deadbolt — 1 3/8" doors	each	0.2	—	\$5	
8031.028.TP31	Patio Tailpiece for a 2 1/4" thick door	each	0.2	—	\$13	
8053.028.TP2	Cylinder tail piece for egress	each	0.1	—	\$5	
8031.xxx.KD12	Cylinder and tail piece for non-egress handleset and single cylinder deadbolts	each	0.5	\$55	—	
8031.xxx.KD22	Cylinder and tail piece for egress handlesets	each	0.5	\$55	—	
8011.xxx.KD12	Double cylinder for handlesets and deadbolts	each	0.8	\$108	—	
8475.000.001	Cylinder cap tool	each	0.1	—	\$8	

ELECTRONIC DEADBOLTS

UL Deadbolts Kit

UL certified tubular products can be ordered by adding a UL kit to our standard deadbolt or select Estate passage or privacy sets. Our UL products are rated a 3hr fire rating when used on fire rated doors.

UL DEADBOLTS KIT



Finish: 003, 031, 033 044, 050, 055, 056, 060, 076, 102, 112, 190, 260

Item #	Description	Price
U8201.xxx.DB	UL Kit for single cylinder deadbolt - 2 1/8" door prep	\$48
U8202.xxx.DB	UL Kit for double cylinder deadbolt - 2 1/8" door prep	\$48
U8208.xxx.DB	UL Kit for single cylinder deadbolt - 1 5/8" door prep	\$48
U8209.xxx.DB	UL Kit for double cylinder deadbolt - 1 5/8" door prep	\$48

For 402 or 452 finishes, please substitute with a 102 or 152 finish respectively.

INCLUDED: Deadbolt latch with UL faceplate, UL Shield and rotation stop

ORDERING INSTRUCTIONS:

1. Choose your deadbolt: eg. 8231.003 - Traditional Deadbolt, single cylinder, 2 1/8" door prep
2. Choose the appropriate deadbolt kit: U8201.003.DB – UL kit for single cylinder, 2 1/8" door prep

Other examples:

- 8041.260 – Contemporary deadbolt, single cylinder, 1 5/8" door prep
- U8208.260.DB – UL kit for single cylinder, 1 5/8" door prep
- 8238.112 – Bethpage deadbolt, double cylinder, 2 1/8" door prep
- U8202.112.DB – UL kit for double cylinder, 2 1/8" door prep

NOTE: All components from the deadbolt kit must be installed for UL certification.

8090, 8097, 8098, 8297 Trim Rings & Collars



8090



8097

8098.000.DC03



8098.000.TP03



8297



Item #	Description	U/M.	Wt.	003, 031, 044, 050, 055, 056, 060, 076, 102, 112, 190, 260		Not Finished
8090.xxx	Trim rings for 2 1/8" hole	pair	0.2	\$24		—
8097.xxx	Cylinder collar spacer for 1 3/8" thick doors for 80xx series deadbolts (1 3/8" prep)	each	0.2	\$24		—
8098.000.DC03	Double cylinder Conversion kit for 2" & 2 1/4" thick doors	each	0.1	—		\$8
8098.000.TP03	Single Cylinder/Turn Piece Conversion kit for 2" & 2 1/4" thick doors	each	0.1	—		\$8
8297.xxx	Cylinder collar spacer for 1 3/8" thick doors for 82xx series deadbolts (2 1/8" prep)	each	0.3	—		\$33

8090.000 – Trim Rings

Dimensions: 2.5" d. (64mm)

Features: Trim Rings are designed for use with installation of 8000 Series (1.625" (41mm) door prep) Deadbolts in 2.125" (54mm) diameter door preparation. One pair of rings is required for use in this application for either Double Cylinder or Cylinder/Turn piece functions.

Finished to match Deadbolts.

Weight: 2 lb. (.09kg)

8097.xxx – Cylinder Collar Spacer For 8000 Series Deadbolts – For 1.375" (35mm) Door

Dimensions: 2" d. (51mm)

Features: For installation on 1.375" (35mm) doors. Always used under Cylinder Collar.

Two Rings are required for Double Cylinder functions. One Ring is required for Cylinder/Turn piece functions. Finished to match deadbolt cylinder collar. Available at an extra charge.

Works with 8011, 8021, 8031, 8041 Deadbolts

Weight: .2 lb. (.09kg)

8098.xxx – Conversion Kits for 2" and 2.25" doors

Packed: One per box.

8297.xxx – Cylinder Collar Spacer For 8200 Series Deadbolts – For 1.375" (35mm) Door

Dimensions: 2.5" d. (64mm)

Features: For installation on 1.375" (35mm) doors. Always used under Cylinder Collar.

Two Rings are required for Double Cylinder functions. One Ring is required for Cylinder/Turn piece functions. Finished to match deadbolt cylinder collar. Available at an extra charge.

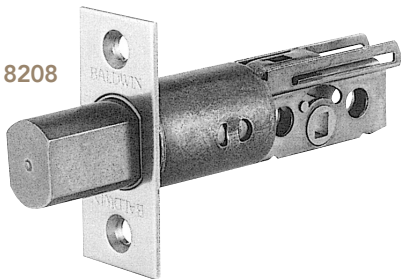
Works with any deadbolt starting with 82XX.xxx

Weight: .3 lb. (.14kg)

DEADBOLTS

8201, 8208 Deadbolts

8201 & 8208



Finish: 003, 031, 033, 044, 050, 055, 056, 060, 076, 102, 112, 190, 260

Item #	Description	U/M.	Wt.	Price
8201.xxx.DB	Adjustable deadbolt for double cylinder	each	0.6	\$55
8208.xxx.DB	Adjustable deadbolt for single cylinder & patio	each	0.6	\$55

Features: All Deadbolts are furnished with a 1" (25mm) throw. Each contains a saw-proof, hardened steel insert to prevent tampering. Fronts are adjustable for beveled door conditions. All deadbolts have an adjustable backset feature to accommodate 2.375" or 2.75" backsets. Front length 2.25" (57mm) and Front Width is 1" (25mm).

Packed: Without fasteners.

Weight: .6 lb. (.27kg)

*ELECTRONIC
DEADBOLTS*



Beautifully Baldwin, this offering combines a Touchscreen and SecureScreen technology with bold Baldwin design to create a simple electronic connected solution.

- The Advanced Touchscreen is dark when not in use and is response to touch and can be activated by softly pressing the screen.
- Secure Screen Technology™: Provides additional security by employing random digits prior to entering your personal code to prevent finger print and code detection.
- One Touch Locking: Lock your door with a single touch. No need for a key or code to lock the door.
- Wirelessly communicate with Security and Smart Home systems via Z-Wave Technology (Z-Wave hub to be purchased separately).
- Up to 16 customizable user codes (30 for Z-Wave version) with 4 to 8 digit code length for family, guests and service professionals.
- Baldwin Touchscreen is easy to install, program to use and operates on 4 AA batteries (supplied with the lock).
- Indicator light on the interior trim will blink green, amber or red to indicate unlocked, locked or low battery status.
- Activate the 30 second auto-locking feature for convenience and peace-of-mind.
- The Touchscreen deadbolts elegantly pair with coordinated traditional, contemporary and rustic handle grip and levers styles for your entry door.
- 128-bit Advanced Encryption Standard (AES) communication with Z-Wave 500 chipset.
- Deadbolt exceeds ANSI/BHMA Grade 2 security test standards.

SPECIFICATION

SOLID BRASS: Deadbolt trim manufactured of solid brass for maximum strength and durability.

DOOR THICKNESS: 1 3/4" to 2" standard. For 2 1/4" to 2 1/2" door thickness, order the 8421.000.TP01 conversion kit.

BOLT: Deadbolt has 1" solid brass tapered bolt and a hardened steel insert for maximum security.

BACKSET: Adjustable backset 2 3/8" or 2 3/4".

FACE PLATE: 1" square corner face plate.

STRIKE: Reinforced steel strike with two (2) 3" security jamb screws, dust box and armored front to conceal the fasteners.

DOOR PREP: 2 1/8" cross bore and 1" edge bore for latch.

CYLINDER: Cylinder supplied with 5-pin keying.

ANSI/BHMA: Exceeds Grade 2 requirements in ANSI/BHMA A156.36 test standard.

UL RATED: 20-minute fire rated certified UL deadbolt.

SECURITY: 128-bit Advanced Encryption Standard (AES) communication with Z-Wave 500 chipset.

POWER: Deadbolt requires four AA batteries (supplied).

SMART HOME DEVICES: Wirelessly communicate with Security and Smart Home systems via Z-Wave Technology (Z-Wave hub to be purchased separately).

WARRANTY: TOUCHSCREEN products comes with lifetime Mechanical and Limited Finish Warranty (varies by finish), along with a 1 year electronic warranty to the original residential user of the product against defects in material and workmanship as long as the original user occupies the residential premises upon which the product was originally installed. This warranty does not cover scratches, abrasions, deterioration due to the use of paints, solvents or other chemicals, abuse, misuse, or product used in commercial applications.

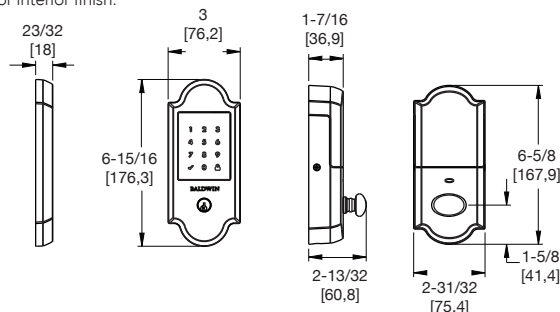
Boulder Touchscreen Deadbolt



Finish: 003, 031, 033, 044, 050, 055, 056, 060, 076, 102, 112, 190, 260, 402

Item #	Description	Wt.	Price
8235.xxx	Touchscreen Boulder Deadbolt Standalone	4.6	\$567
8235.xxx.ZW	Touchscreen Boulder Deadbolt with Z-Wave Technology	4.6	\$683
8252.xxx.ISCVR	Touchscreen Interior Cover	1.1	\$138

NOTE: Deadbolt Thick Door kit available for 2" to 2 1/2" (8421.000.TP01).
SPLIT FINISH: Order complete deadbolt (8235.xxx or 8235.xxx.ZW) for exterior finish and 8252.xxx.ISCVR for interior finish.



Boulder Handle Grip

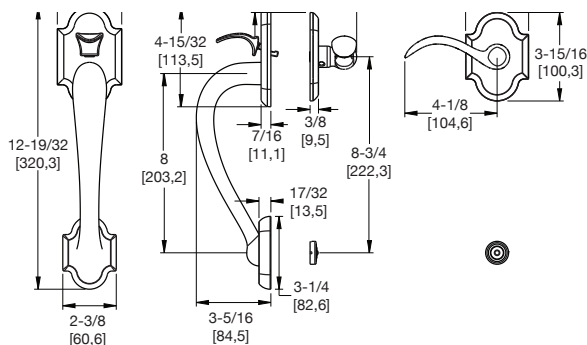
w/ 5452V Lever



Finish: 003, 031, 033, 044, 050, 055, 056, 060, 076, 102, 112, 190, 260, 402

Item #	Description	Wt.	Price
85353.xxx.ACRH	Boulder Handle Grip (RH)	6.8	\$468
85353.xxx.ACLH	Boulder Handle Grip (LH)	6.8	\$468
85353.xxx.ACX	Sectional Entry Handleset Kit - minus lever	3.2	\$399

NOTE: Thick Door kit available (5399.XXX.A) for 2" to 2 1/4" thick doors.



Boulder Full Dummy

w/ Beavertail Lever



Finish: 003, 031, 033, 044, 050, 055, 056, 060, 076, 102, 112, 190, 260, 402

Item #	Description	Wt.	Price
85358.xxx.RFD	Boulder Dummy Handleset with Beavertail Lever (RH)	8.1	\$662
85358.xxx.LFD	Boulder Dummy Handleset with Beavertail Lever (LH)	8.1	\$662

NOTE: Dummy Thick Door Kit (5399.XXX.D) available for up to 2 1/4" thick doors.



ELECTRONIC DEADBOLTS

*QUICK SHIP is available in functions and finishes shown in red.

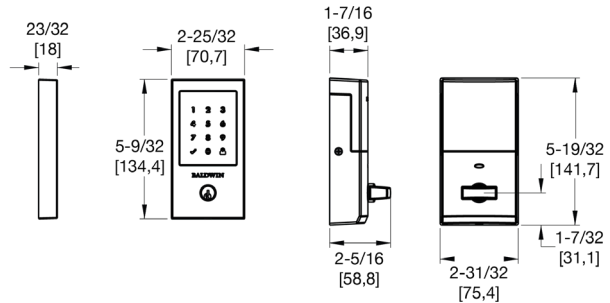
Minneapolis Touchscreen Deadbolt



Finish: 003, 031, 033, 044, 050, 055, 056, 060, 076, 102, 112, 190, 260, 402

Item #	Description	Wt.	Price
8225.xxx	Touchscreen Minneapolis Deadbolt Standalone	4.4	\$567
8225.xxx.ZW	Touchscreen Minneapolis Deadbolt with Z-Wave Technology	4.4	\$683
8220.xxx.ISCVR	Touchscreen Interior Cover	1.1	\$138

NOTE: Deadbolt Thick Door kit available for 2" to 2 1/2" (8421.000.TP01).
SPLIT FINISH: Order complete deadbolt (8225.xxx or 8225.xxx.ZW) for exterior finish and 8220.xxx.ISCVR for interior finish.



Minneapolis Handle Grip

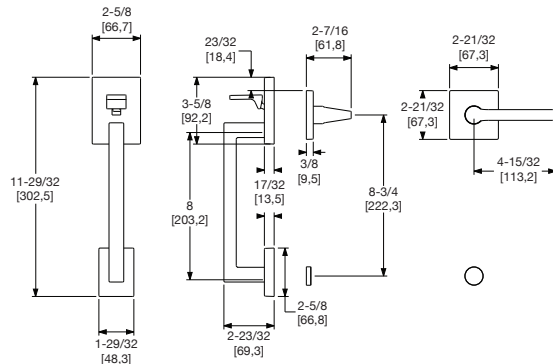
w/ 5162 Lever



Finish: 003, 031, 033, 044, 050, 055, 056, 060, 076, 102, 112, 190, 260, 402

Item #	Description	Wt.	Price
85390.xxx.ACRH	Minneapolis Handle Grip (RH)	7.8	\$468
85390.xxx.ACLH	Minneapolis Handle Grip (LH)	7.8	\$468
85390.xxx.ACX	Sectional Entry Handleset Kit - minus lever	5.0	\$399

NOTE: Thick Door kit available (5399.XXX.A) for 2" to 2 1/4" thick doors.



Minneapolis Full Dummy

w/ Lakeshore Lever



Finish: 003, 031, 033, 044, 050, 055, 056, 060, 076, 102, 112, 190, 260, 402

Item #	Description	Wt.	Price
85393.xxx.RFD	Minneapolis Dummy Handleset with Lakeshore Lever (RH)	8.9	\$662
85393.xxx.LFD	Minneapolis Dummy Handleset with Lakeshore Lever (LH)	8.9	\$662

NOTE: Dummy Thick Door Kit (5399.XXX.D) available for up to 2 1/4" thick doors.



ELECTRONIC DEADBOLTS

Keypad Entry Features & Specifications

FEATURES

- Easy Install in Minutes w/ Screwdriver
- Fits Standard Tubular Door Prep
- No Hard Wiring Required
- 8 Customizable User Codes with Easy Add & Delete
- 4 to 8 Digit Codes
- One Touch Locking
- Back-Lit Keypad for Increased Visibility
- Incorrect Code Lockout Feature
- Customizable Features:
 - Automatic Door Locking after 30 Seconds
 - Door Locked / Unlocked led indicator
 - Audible beep for activation
- 4 AA Alkaline Batteries
- Low Battery LED Indicator
- Tapered Deadbolt Design - Compensates for Door Misalignment Conditions
- Protective Coated Keypad Preventing Wear & Discoloration
- Automatic Handing Feature
- Solid Forged Brass Trim

SPECIFICATIONS

Function	Single Cylinder Deadbolt
Door Prep	2 1/8" Bore, 1" Edge Bore
Backset	Adjustable 2 3/8" or 2 3/4"
Door Thickness	1 3/4" - 2"
Thick Door Kit	For 2 1/4" & 2 1/2" door thickness, order 8421.000.TP01 (\$34 List Price)
Cylinder	5-Pin C-Keyway
Faceplate	1" Square Corner
Strike	Square Corner with reinforcing plate
Latch	1" Throw
Bolt	Brass, tapered w/ security pin
Door Handing	Automatic Handing

ELECTRONIC DEADBOLTS

How to Order

Deadbolt



DEADBOLT

EXAMPLE:

To Order Only a Deadbolt, Simply Order & Specify the Finish:

8285.190.AC1



SECTIONAL HANDSET

EXAMPLE:

To Order Sectional Handset, Order Both Deadbolt & Sectional Handset Kit* (with Handing) & Specify the Finish:

8285.190.AC1 + 85386.190.ACRH

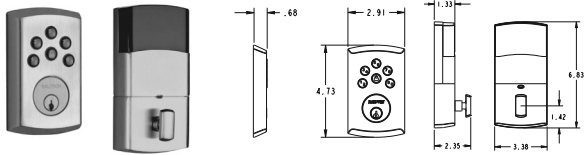
Sectional Handset Example



- Keypad Entry Systems are only available in Soho & Boulder Styles.
- Split finish and special keying options are not available for keypad entry systems.

KEYPAD ENTRY

Soho Deadbolt

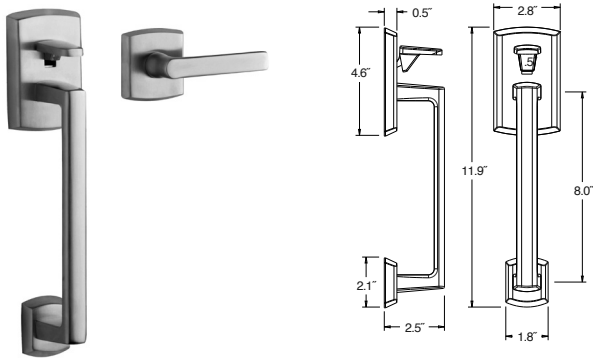


Finish: 056, 190, 260

Item #	Description	Price
8285.xxx.AC1	Deadbolt	\$714

NOTE: Deadbolt Thick Door kit available for 2" to 2 1/2" thick doors (8421.000.TP01).

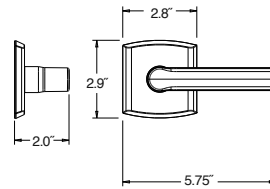
Soho Sectional Handleset Kit



Finish: 056, 190, 260

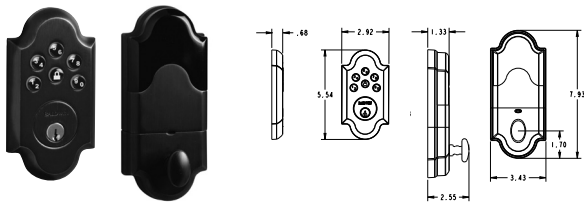
Item #	Description	Price
85386.xxx.ACRH (.ACLH)	Sectional Entry Handleset Kit	\$468

NOTE: Thick Door kit (5399.XXX.A) available for up to 2 1/4" thick doors.



ELECTRONIC DEADBOLTS

Boulder Deadbolt

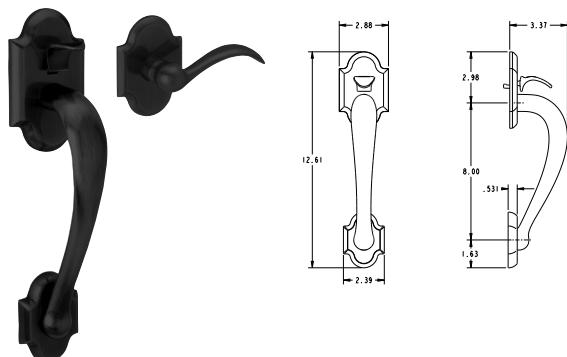


Finish: 003, 102, 112, 402

Item #	Description	Price
8252.xxx.AC1	Deadbolt	\$714

NOTE: Deadbolt Thick Door kit available for 2" to 2 1/2" thick doors (8421.000.TP01).

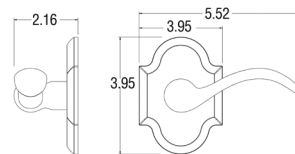
Boulder Sectional Handleset Kit



Finish: 003, 056, 102, 112, 190, 402

Item #	Description	Price
85353.xxx.ACRH (.ACLH)	Sectional Entry Handleset Kit	\$468

NOTE: Thick Door kit (5399.XXX.vA) available for up to 2 1/4" thick doors.



*QUICK SHIP is available in functions and finishes shown in red.



*TUBULAR
HANDLESETS*



Specifications & Standards of Excellence

Estate lock sets are featured in traditional, rustic and contemporary styles in our most popular finishes. Interior latch set designs coordinate beautifully with lockset styles to enable customers to carry a specific design theme throughout the home. Each Estate lockset is packed as a complete set, and is also available by component.

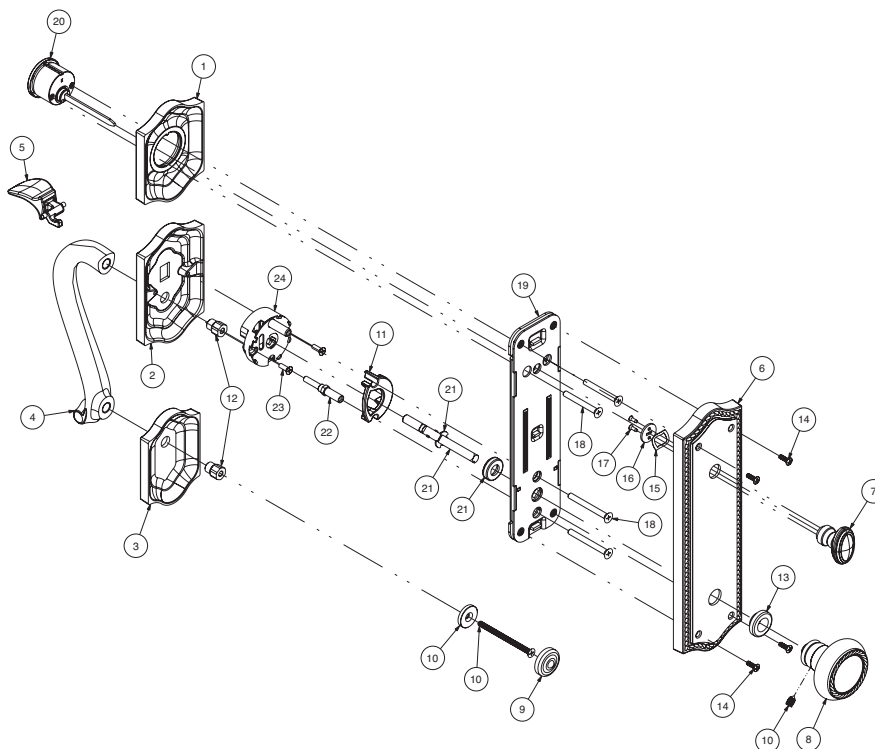
Item	Qty	Part Name
1	1	Cylinder Collar
2	1	Large Plate
3	1	Small Plate
4	1	Door Pull
5	1	Thumbpiece
6	1	Inside Escutcheon
7	1	Turn Knob
8	1	Knob-rope
9	1	Screw Cover
10	1	Fastener Packet (Pull/knob)
11	1	Alignment Bracket
12	2	Threaded Adaptor
13	1	Thimble
14	1	Fastener Packet (Inside Plate)
15	1	Wave Washer
16	1	Plate-tailpiece
17	2	#3-48 X .313" Lg., Fh, Ph, M/s
18	1	Fastener Packet (Egress Cartridge)
19	1	Rectangular Egress Cartridge Assembly
20	1	Cylinder Assembly
21	1	Spindle/spacer Packet
22	1	Mounting Post
23	2	#6-32 X .44" Lg., Fh, Ph, M/s
24	1	Thumb Cartridge Assembly

Not Shown On Drawing

25	1	Latch Assembly With Faceplate
26	1	Strike
27	2	Dust Box
28	1	Cylinder Cap
29	1	Deadbolt Assembly (Egress)
30	1	T-strike
31	1	Fastener Packet (Strike)
32	1	Fastener Packet (Strike)
33	1	Fastener Packet (Latch And Deadbolt)
34	1	Installation Instructions
35	1	Estate Strike Marking Template
36	1	Estate Marking Template
37	1	Lifetime Limited Finish/mechanical Warranty

Mechanical Features – Escutcheon Trim Lock sets

- **SOLID BRASS:** Entrance handle, escutcheon, knob, rose and turn piece are manufactured of solid brass for maximum strength and durability.
- **INSTALLATION:** Lock sets are designed for easy installation in standard pre-bored wood or metal doors. The adaptor aligns the latch with the trim. Graphic instructions make installation FAST!
- **FULLY REVERSIBLE:** Accommodates all door conditions and facilitates installation.
- **DOOR THICKNESS:** Lock sets accommodate a door thickness of 1.75" (44mm). Conversion kit available for 2.0" (51mm) and 2.25" (57mm) thick doors (see price list for details).
- **CASE:** Deadbolt and latch case are formed of steel for strength. Most interior working parts are made of solid brass or zinc chromate plated steel for maximum strength and smooth operation.
- **BACKSET:** Adjustable backset 2.375" (60mm), 2.75" (70mm) latch and deadbolt supplied standard.
- **SQUARE CORNER FACE PLATE:** Deadbolt and latch supplied with a 1" (25mm) face plate.
- **STRIKE:** Deadbolt is furnished with a specially designed reinforcing strike constructed of high grade steel for ultimate strength and durability. The strike is installed with two (2) 3" (76mm) security jamb screws and a dust box. The security strike is covered with an armored front to conceal the fasteners. Latches are supplied standard with a box strike (other strikes are available at an additional charge).
- **DISTANCE BETWEEN CENTER OF LATCH AND DEADBOLT (CTC):** Lockset accommodates 5.5" (140mm) center to center dimension ONLY.
- **BOLT:** Deadbolt and latch bolt constructed of solid brass. Deadbolt has 1" (25mm) throw when extended and a hardened steel insert for for maximum protection and security. Latch bolt has a .5" (13mm) throw when extended to fully engage the door jamb.
- **CYLINDER:** Cylinder supplied with 5-pin C Keyway.
- **KEYS:** Designed with a 1.25" (32mm) wide bow surface to facilitate ease of use for those with physical challenges.
- Numerous patents, copyrights, and trademarks are held by the Corporation to protect the integrity and reputation of our distinctive line of hardware appointments.



SECTIONAL TRIM LOCK SETS:

FULLY REVERSIBLE: Accommodates most door conditions and facilitates installation.

DOOR THICKNESS: Lock sets accommodate a door thickness of 1-3/4" (44mm). Conversion kit available for 2" (51mm) and 2-1/4" (57mm) thick doors at an additional charge.

DISTANCE BETWEEN CENTER OF LATCH AND DEADBOLT (CTC): Lockset accommodates any center-to-center dimension greater than 4-3/8" (111mm).

CYLINDER: Cylinder supplied with 5-pin C Keyway. Cylinder is protected with a free-turning cylinder guard to resist gripping or twisting.

DOOR PREP: Designed to fit 2-1/8" face bore with no additional hardware.

ESCUTCHEON TRIM LOCK SETS:

FULLY REVERSIBLE: Accommodates most door conditions and facilitates installation.

DOOR THICKNESS: Lock sets accommodate a door thickness of 1-3/4" (44mm). conversion kit available for 2" (51mm) and 2-1/4" (57mm) thick doors at an additional charge (see price list for details).

DISTANCE BETWEEN CENTER OF LATCH AND DEADBOLT(CTC): Lockset accommodates a 5 1/2" (140mm) center-to-center dimension ONLY.

CYLINDER: Cylinder supplied with 5-pin C Keyway.

EMERGENCY EGRESS TUBULAR ENTRANCE LOCK SETS:

EMERGENCY EGRESS: Handleset which retracts the latchbolt and deadbolt simultaneously when the inside knob/lever is turned. Door will remain unlocked unless locked with a key.

CARTRIDGE: Case and interior working parts are formed of heavy gauge steel, zinc chromate plated and lubricated for maximum strength and smooth operation.

FULLY REVERSIBLE: Accommodates most door conditions and facilitates installation.

DOOR THICKNESS: Lock sets accommodate a door thickness of 1-3/4" (44mm). Conversion kit available for 2" (51mm) and 2-1/4" (57mm) thick doors at an additional charge.

DISTANCE BETWEEN CENTER OF LATCH AND DEADBOLT (CTC): Lockset accommodates 5 1/2" center-to-center dimension ONLY.

CYLINDER: Cylinder supplied with 5-pin C Keyway.

IMPORTANT: Emergency egress entrance lock sets are designed for use with all Estate knobs or levers.

TWO-POINT LOCK SETS:

DOOR THICKNESS: Lock sets accommodate a door thickness of 1-3/4"(44mm) to 2" (51mm). Cannot be installed on doors thicker than 2"(51mm).

DISTANCE BETWEEN CENTER OF LATCH AND DEADBOLT (CTC): Lockset accommodates any center-to-center dimension greater than 4-3/4" (121mm).

CYLINDER: Cylinder supplied with 5-pin C Keyway. Cylinder is protected with a free-turning cylinder guard to resist gripping or twisting.

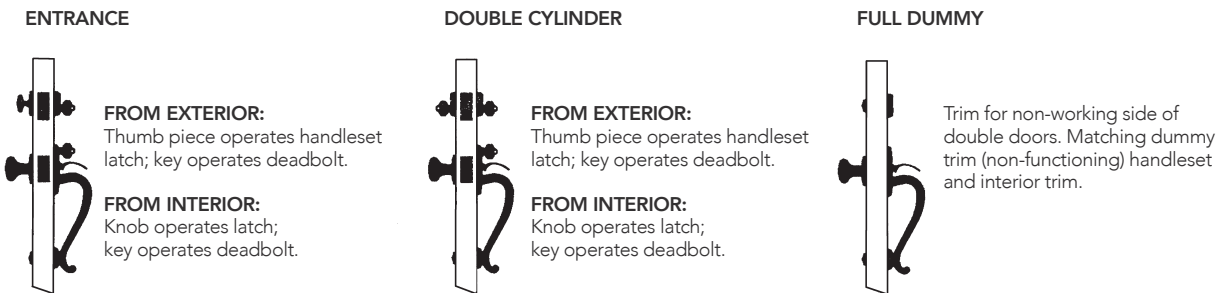
DOOR PREP: Designed to fit 2-1/8" face bore with a 3-hole prep.

NOTE: When installing a two-point handleset on a door prepped for a standard single point handleset with a 5 1/2" CTC boring, the location of the thumb piece will be approximately 2 1/2" lower.

Numerous patents, copyrights, and trademarks are held by the Corporation to protect the integrity and reputation of our distinctive line of hardware appointments.

TUBULAR
HANDSETS

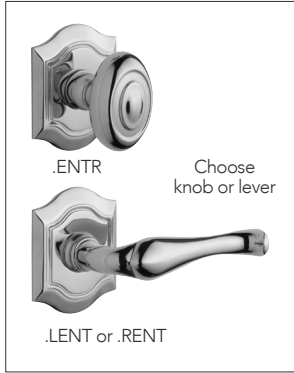
Functions Available



ENTRANCE SETS, TUBULAR

Bethpage® Sectional Trim

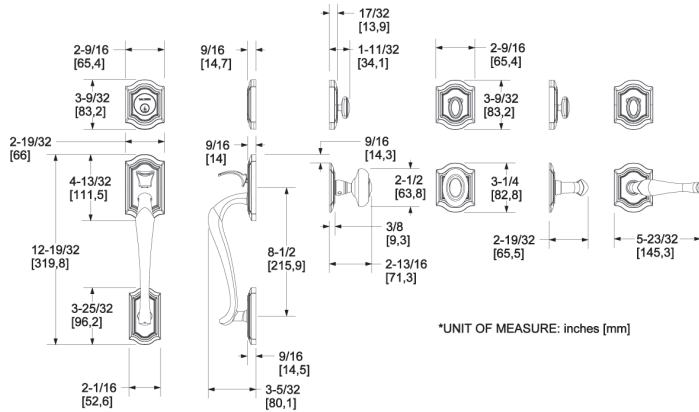
w/ 5077 Bethpage Knob or 5447V Bethpage Lever



Finish: 003, 031, 033, 044, 050, 055, 056, 060, 076, 102, 112, 190, 260, 402

Item #	Description	Wt.	Price
85327.xxx.ENTR	Single cylinder handleset with interior knob	5.8	\$609
85327.xxx.DBLC	Double cylinder handleset with interior knob	6.1	\$651
85327.xxx.FD	Full dummy set with interior knob	4.6	\$518
85327.xxx.RENT	Single cylinder handleset with lever – RH Entry	6.8	\$609
85327.xxx.LENT	Single cylinder handleset with lever – LH Entry	6.8	\$609
85327.xxx.RDBL	Double cylinder handleset with lever – RH Entry	7.1	\$651
85327.xxx.LDBL	Double cylinder handleset with lever – LH Entry	7.1	\$651
85327.xxx.RFD	Full dummy set with lever – RH Dummy	5.6	\$518
85327.xxx.LFD	Full dummy set with lever – LH Dummy	5.6	\$518

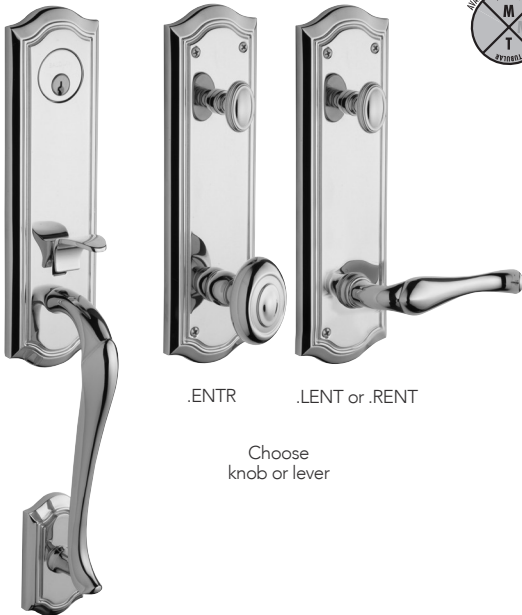
NOTE: Active THK Door Kit: 5399.xxx.A, Dummy THK Door Kit: 5399.xxx.D, & Replacement Cylinder: 8031.xxx.KD12.



TUBULAR
HANDLESETS

Bethpage® Emergency Egress Handleset

w/ 5077 Bethpage Knob or 5447V Bethpage Lever



.ENTR .LENT or .RENT

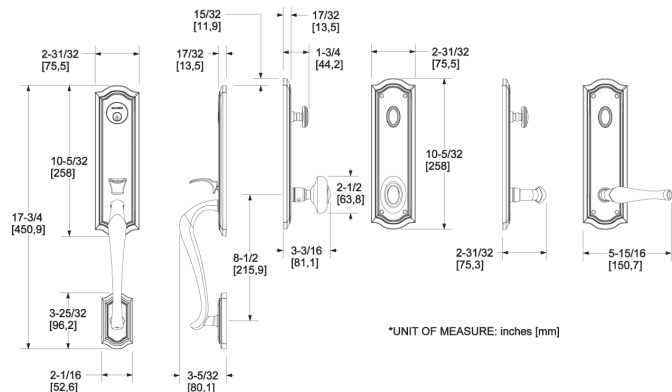
Choose knob or lever



Finish: 003, 031, 033, 044, 050, 055, 056, 060, 076, 102, 112, 190, 260, 402

Item #	Description	Wt.	Price
85337.xxx.ENTR	Single cylinder handleset with interior knob, emergency egress	6.8	\$835
85337.xxx.FD	Full dummy set with interior knob	5.4	\$710
85337.xxx.RENT	Single cylinder handleset w/ lever, emergency egress – RH Entry	7.8	\$835
85337.xxx.LENT	Single cylinder handleset w/ lever, emergency egress – LH Entry	7.8	\$835
85337.xxx.RFD	Full dummy set with lever – RH Dummy	6.2	\$710
85337.xxx.LFD	Full dummy set with lever – LH Dummy	6.2	\$710

NOTE: Active THK Door Kit: 5399.xxx.C, Dummy THK Door Kit: 5399.xxx.D, & Replacement Cylinder: 8031.xxx.KD22.



*QUICK SHIP is available in functions and finishes shown in red.

Blakely Emergency Egress Handleset 
w/ 5025 Egg Knob

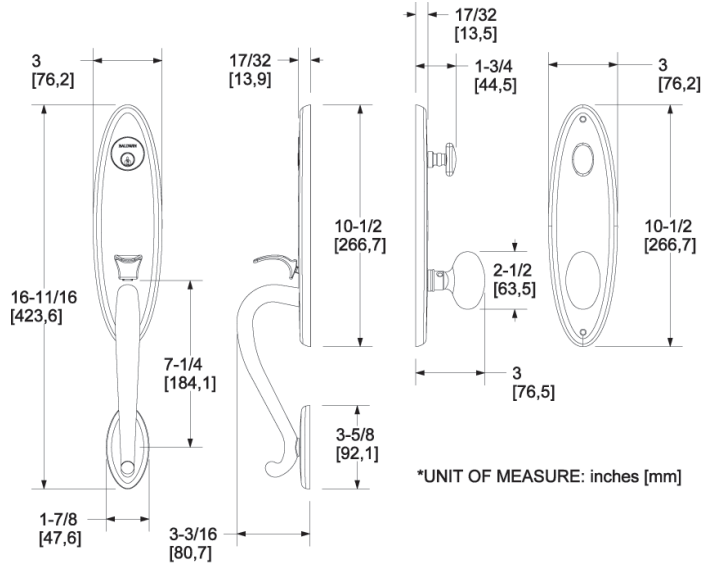
Finish: 003, 031, 033, 044, 050, 055, 056, 060, 076, 102, 112, 190, 260, 402

Item #	Description	Wt.	Price
85360.xxx.ENTR	Single cylinder handleset with interior knob	6.8	\$835
85360.xxx.FD	Full dummy set with interior knob	5.1	\$710

NOTE: Active THK Door Kit: 5399.xxx.C, Dummy THK Door Kit: 5399.xxx.D, & Replacement Cylinder: 8031.xxx.KD22.



.ENTR



Boulder 3/4 Escutcheon Handleset Emergency Egress
w/ 5024 Oval Knob or 5452V Beavertail Lever

Finish: 003, 031, 033, 044, 050, 055, 056, 060, 076, 102, 112, 190, 260, 402

Item #	Description	Wt.	Price
85354.xxx.ENTR	Single cylinder handleset with interior knob, emergency egress	7.3	\$835
85354.xxx.FD	Full dummy set with interior knob	5.7	\$710
85354.xxx.RENT	Single cylinder handleset w/ lever, emergency egress – RH Entry	7.3	\$835
85354.xxx.LENT	Single cylinder handleset w/ lever, emergency egress – LH Entry	7.3	\$835
85354.xxx.RFD	Full dummy set with lever – RH Dummy	5.7	\$710
85354.xxx.LFD	Full dummy set with lever – LH Dummy	5.7	\$710

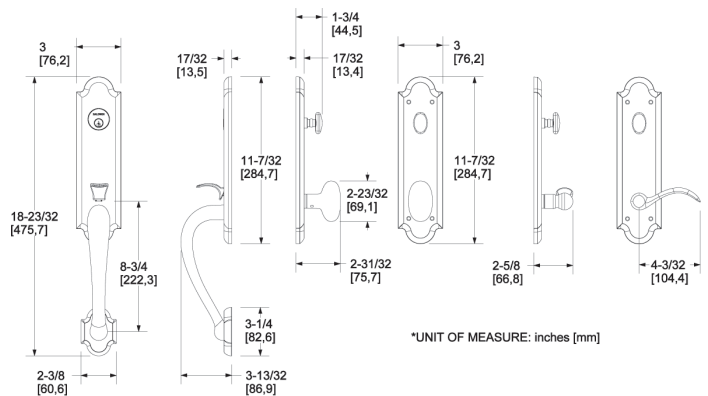
NOTE: Active THK Door Kit: 5399.xxx.C, Dummy THK Door Kit: 5399.xxx.D, & Replacement Cylinder: 8031.xxx.KD22.



.ENTR

.LENT or .RENT

Choose knob or lever



TUBULAR
HANDLESETS

*QUICK SHIP is available in functions and finishes shown in red.

ENTRANCE SETS, TUBULAR

Boulder Full Escutcheon Handleset Emergency Egress

w/ 5024 Oval Knob or 5452V Beavertail Lever



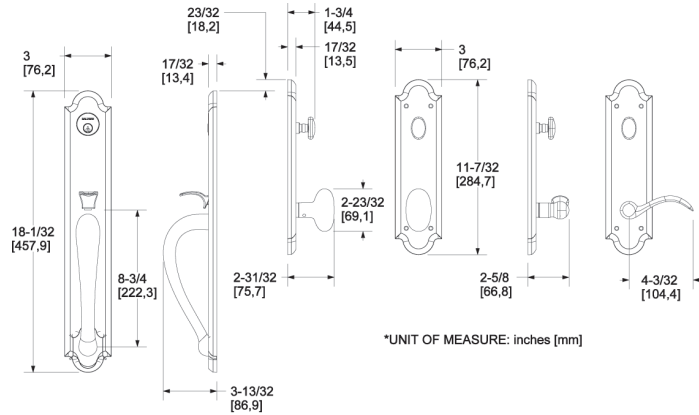
.ENTR .LENT or .RENT

Choose knob or lever

Finish: 003, 031, 033, 044, 050, 055, 056, 060, 076, 102, 112, 190, 260, 402

Item #	Description	Wt.	Price
6402.xxx.ENTR	Single cylinder handleset with interior knob, emergency egress	9.2	\$945
6402.xxx.FD	Full dummy set with interior knob	7.2	\$830
6402.xxx.RENT	Single cylinder handleset w/ lever, emergency egress – RH Entry	9.2	\$945
6402.xxx.LENT	Single cylinder handleset w/ lever, emergency egress – LH Entry	9.2	\$945
6402.xxx.RFD	Full dummy set with lever – RH Dummy	7.2	\$830
6402.xxx.LFD	Full dummy set with lever – LH Dummy	7.2	\$830

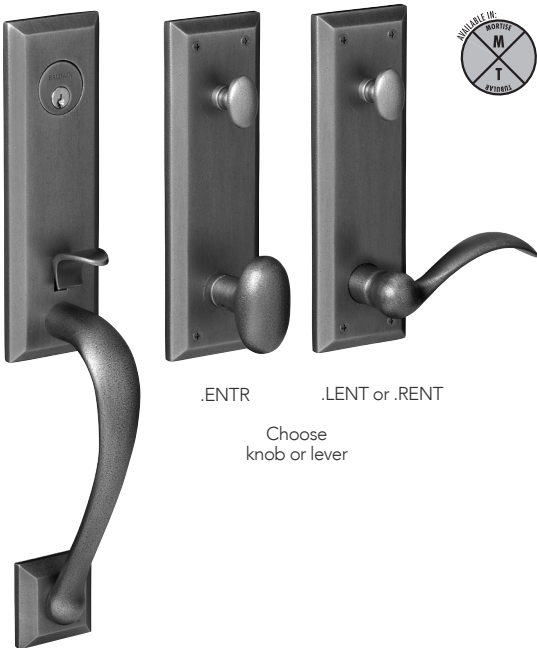
NOTE: Active THK Door Kit: 5399.xxx.C, Dummy THK Door Kit: 5399.xxx.D, & Replacement Cylinder: 8031.xxx.KD22.



TUBULAR HANDLESSETS

Cody ¾ Escutcheon Handleset Emergency Egress

w/ 5024 Oval Knob or 5452V Beavertail Lever



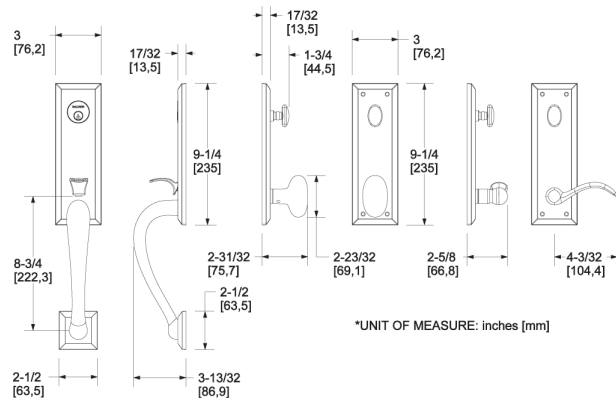
.ENTR .LENT or .RENT

Choose knob or lever

Finish: 003, 031, 033, 044, 050, 055, 056, 060, 076, 102, 112, 190, 260, 402

Item #	Description	Wt.	Price
85352.xxx.ENTR	Single cylinder handleset with interior knob, emergency egress	7.3	\$835
85352.xxx.FD	Full dummy set with interior knob	5.7	\$710
85352.xxx.RENT	Single cylinder handleset w/ lever, emergency egress – RH Entry	7.3	\$835
85352.xxx.LENT	Single cylinder handleset w/ lever, emergency egress – LH Entry	7.3	\$835
85352.xxx.RFD	Full dummy set with lever – RH Dummy	5.7	\$710
85352.xxx.LFD	Full dummy set with lever – LH Dummy	5.7	\$710

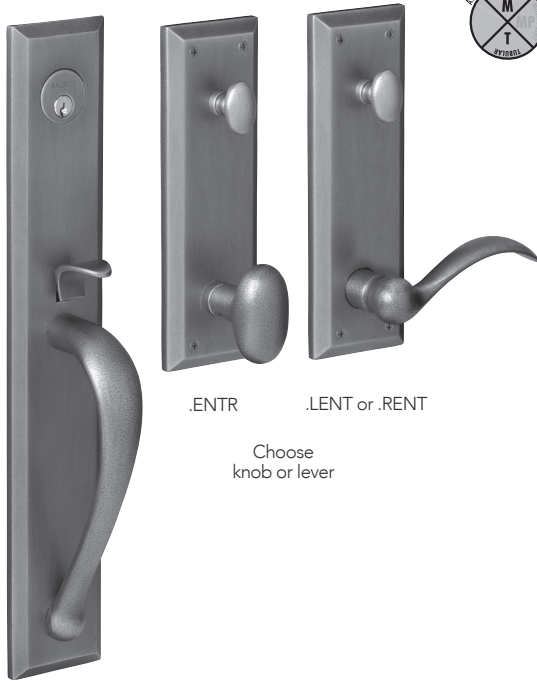
NOTE: Active THK Door Kit: 5399.xxx.C, Dummy THK Door Kit: 5399.xxx.D, & Replacement Cylinder: 8031.xxx.KD22.



*QUICK SHIP is available in functions and finishes shown in red.

**Cody Full Escutcheon Handleset
Emergency Egress**

w/ 5024 Oval Knob or 5452V Beavertail Lever



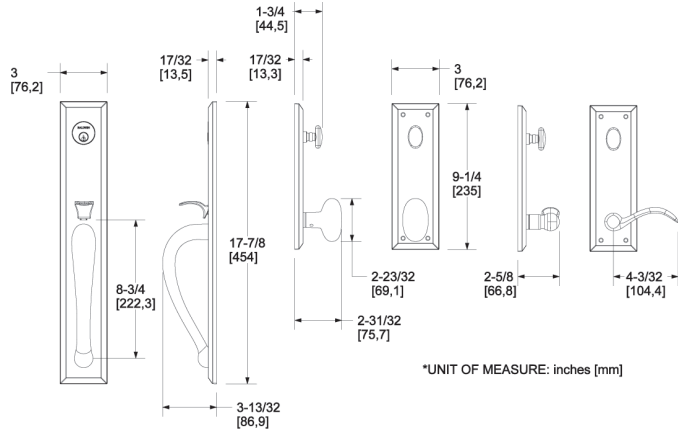
.ENTR .LENT or .RENT

Choose knob or lever

Finish: 003, 031, 033, 044, 050, 055, 056, 060, 076, 102, 112, 190, 260, 402

Item #	Description	Wt.	Price
6403.xxx.ENTR	Single cylinder handleset with interior knob, emergency egress	9.2	\$945
6403.xxx.FD	Full dummy set with interior knob	7.2	\$830
6403.xxx.RENT	Single cylinder handleset w/ lever, emergency egress – RH Entry	9.2	\$945
6403.xxx.LENT	Single cylinder handleset w/ lever, emergency egress – LH Entry	9.2	\$945
6403.xxx.RFD	Full dummy set with lever – RH Dummy	7.2	\$830
6403.xxx.LFD	Full dummy set with lever – LH Dummy	7.2	\$830

NOTE: Active THK Door Kit: 5399.xxx.C, Dummy THK Door Kit: 5399.xxx.D, & Replacement Cylinder: 8031.xxx.KD22.

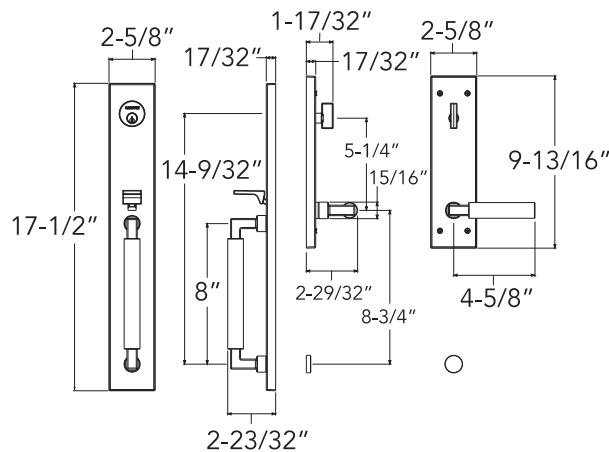


**Gramercy Full Escutcheon Handleset
Emergency Egress w/ L029 Gramercy Lever**



Item #	Description	Wt.	003, 031, 033, 044, 050, 055, 056, 060, 076, 102, 112, 190, 260, 402	M01, M02, M03, M04, M05, M06, M07, M08, M09, M10
85316.xxx.RENT	Single cylinder handleset w/lever, emergency egress-RH Entry	14.1	\$1,010	\$1,010
85316.xxx.LENT	Single cylinder handleset w/lever, emergency egress-LH Entry	14.1	\$1,010	\$1,010
85316.xxx.RFD	Full dummy set with lever - RH Dummy	12	\$911	\$911
85316.xxx.LFD	Full dummy set with lever - LH Dummy	12	\$911	\$911
85316.xxx.ENTRX	Single cylinder handleset minus lever	14.2	\$975	\$975
85316.xxx.FDX	Full dummy set minus lever	11.1	\$872	\$872

NOTE: Active THK Door Kit 5399.xxx.C, Dummy THK Door Kit 5399.xxx.D, & Replacement Cylinder 8031.xxx.KD22



*QUICK SHIP is available in functions and finishes shown in red.

*For Mixed Metal Finishes M01-M10 see finish chart on page 50

ENTRANCE SETS, TUBULAR

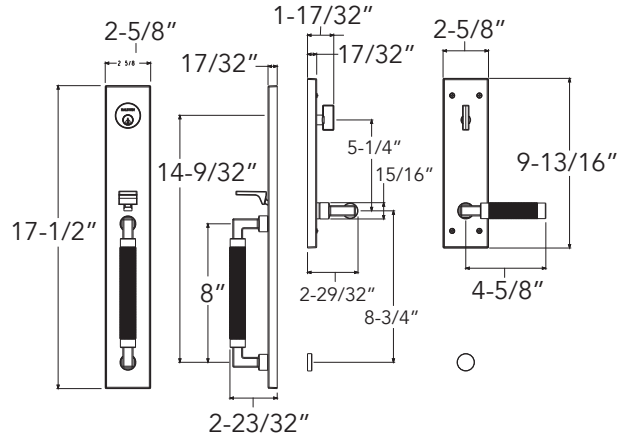
Gramercy Knurled Full Escutcheon Handleset Emergency Egress w/ L030 Gramercy Knurled Lever

003, 031, 033, 044 M01, M02, M03,
050, 055, 056, 060 M04, M05, M06,
076, 102, 112, M07, M08, M09,
190, 260, 402 M10



Item #	Description	Wt.		
85317.xxx.RENT	Single cylinder handleset w/ lever, emergency egress – RH Entry	14.1	\$1,060	\$1,060
85317.xxx.LENT	Single cylinder handleset w/ lever, emergency egress – LH Entry	14.1	\$1,060	\$1,060
85317.xxx.RFD	Full dummy set with lever – RH Dummy	12	\$956	\$956
85317.xxx.LFD	Full dummy set with lever – LH Dummy	12	\$956	\$956
85317.xxx.ENTRX	Single cylinder handleset minus lever	14.2	\$995	\$995
85317.xxx.FDX	Full dummy set minus lever	11.1	\$915	\$995

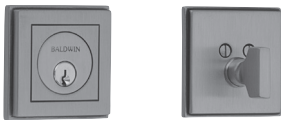
NOTE: Active THK Door Kit 5399.xxx.C, Dummy THK Door Kit 5399.xxx.D, & Replacement Cylinder 8031.xxx.KD22



*For Mixed Metal Finishes M01-M10 see finish chart on page 50

Hollywood Hills Sectional Trim

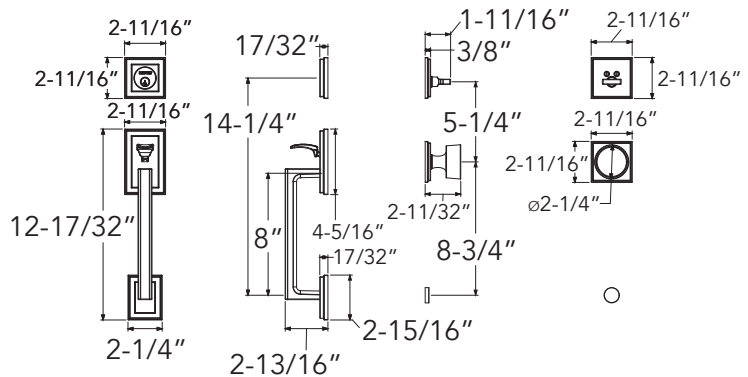
w/ K008 Hollywood Hills Knob



Finish: 003, 031, 033, 044, 050, 055, 056, 060, 076, 102, 112, 190, 260, 402

Item #	Description	Wt.	Price
85310.xxx.ENTR	Single cylinder handleset with knob	7	\$664
85310.xxx.DBLC	Double cylinder handleset w/ knob	7	\$697
85310.xxx.FD	Full dummy set with knob	6	\$563
85310.xxx.ENTRX	Single cylinder handleset minus knob		\$597
85310.xxx.FDX	Full dummy minus knob		\$497

NOTE: Active THK Door Kit: 5399.xxx.C, Dummy THK Door Kit: 5399.xxx.D, & Replacement Cylinder: 8031.xxx.KD22.



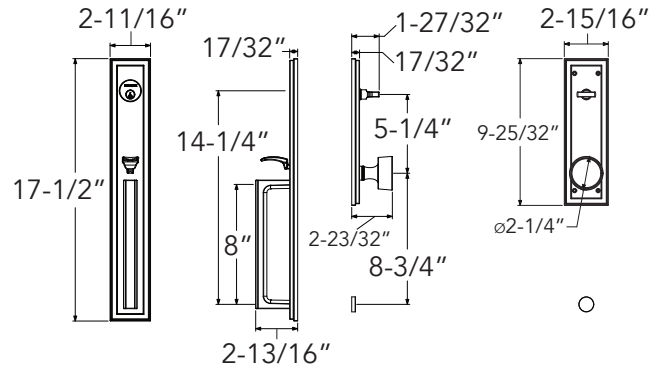
Hollywood Hills Full Escutcheon Handleset
Emergency Egress w/ K008 Hollywood Hills Knob

Finish: 003, 031, 033, 044, 050, 055, 056, 060, 076, 102, 112, 190, 260, 402



Item #	Description	Wt.	Price
85311.xxx.ENTR	Single cylinder handleset with knob	7.3	\$1,010
85311.xxx.FD	Full dummy set with knob	5.7	\$911
85311.xxx.ENTRX	Single cylinder handleset minus knob		\$944
85311.xxx.FDX	Full dummy minus knob		\$846

NOTE: Active THK Door Kit: 5399.xxx.C, Dummy THK Door Kit: 5399.xxx.D, & Replacement Cylinder: 8031.xxx.KD22.

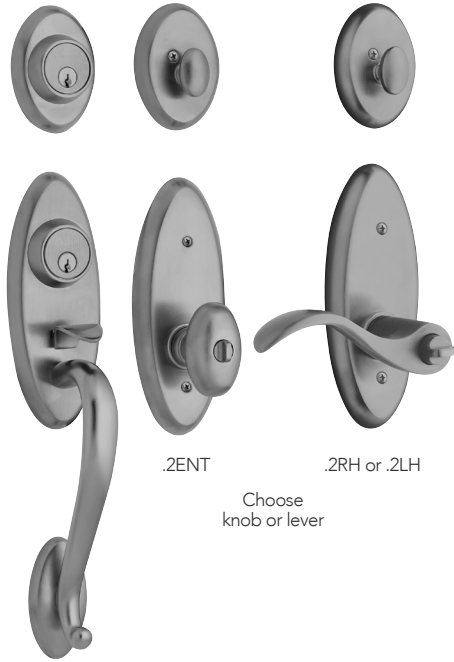


TUBULAR
HANDLESSETS

*QUICK SHIP is available in functions and finishes shown in red.

ENTRANCE SETS, TUBULAR

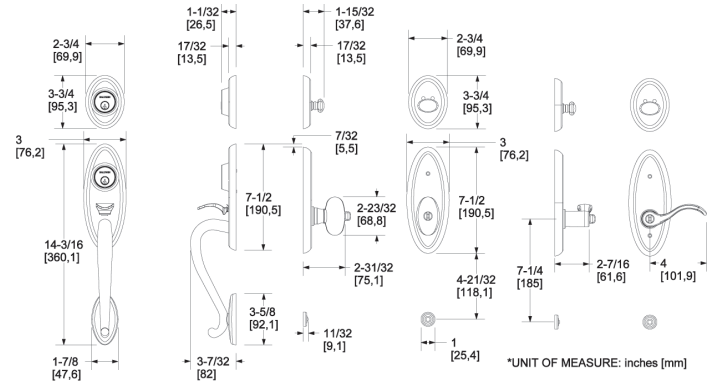
Landon® Two-Point Lock Handleset 
w/ 5225 Egg Knob or 5255 Wave Lever



Finish: **003, 031, 033, 044, 050, 055, 056, 060, 076, 102, 112, 190, 260, 402**

Item #	Description	Wt.	Price
85345.xxx.2ENT	Single cylinder handleset with interior knob	8.8	\$835
85345.xxx.2DC	Double cylinder handleset with interior knob	8.6	\$877
85345.xxx.2FD	Full dummy set with interior knob	8.1	\$710
85345.xxx.2RH	Single cylinder handleset with lever – RH Entry	8.3	\$835
85345.xxx.2LH	Single cylinder handleset with lever – LH Entry	8.3	\$835
85345.xxx.2DCR	Double cylinder handleset with lever – RH Entry	8.1	\$877
85345.xxx.2DCL	Double cylinder handleset with lever – LH Entry	8.1	\$877
85345.xxx.2RFD	Full dummy set with lever – RH Dummy	7.7	\$710
85345.xxx.2LFD	Full dummy set with lever – LH Dummy	7.7	\$710

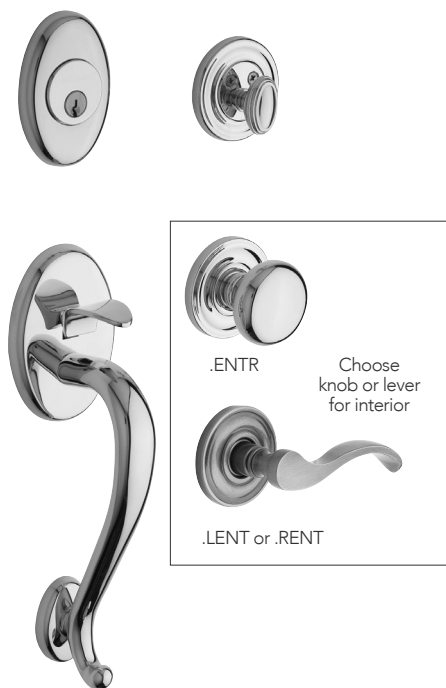
NOTE: Designed to fit 1-3/4" to 2" thick doors with 2-1/8" face bore with 3 hole prep.



TUBULAR
HANDLESETS

*QUICK SHIP is available in functions and finishes shown in red.

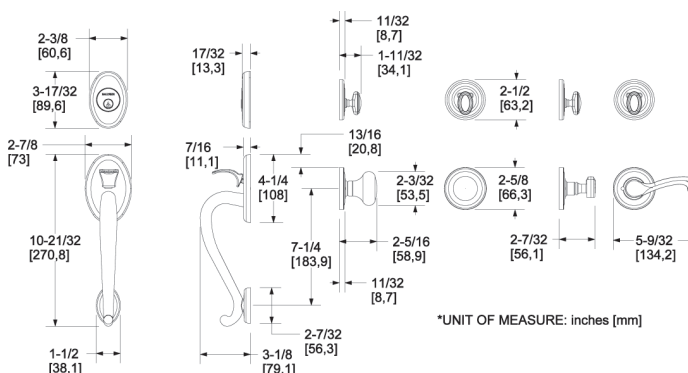
Logan Sectional Trim
w/ 5015 Classic Knob or 5455V Wave Lever



Finish: 003, 031, 033, 044, 050, 055, 056, 060, 076, 102, 112, 190, 260, 402

Item #	Description	Wt.	Price
85315.xxx.ENTR	Single cylinder handleset with interior knob	5.7	\$609
85315.xxx.DBLC	Double cylinder handleset with interior knob	5.8	\$651
85315.xxx.FD	Full dummy set with interior knob	4.3	\$518
85315.xxx.RENT	Single cylinder handleset with lever – RH Entry	6.7	\$609
85315.xxx.LENT	Single cylinder handleset with lever – LH Entry	6.7	\$609
85315.xxx.RDBL	Double cylinder handleset with lever – RH Entry	6.8	\$651
85315.xxx.LDBL	Double cylinder handleset with lever – LH Entry	6.8	\$651
85315.xxx.RFD	Full dummy set with lever – RH Dummy	5.3	\$518
85315.xxx.LFD	Full dummy set with lever – LH Dummy	5.3	\$518

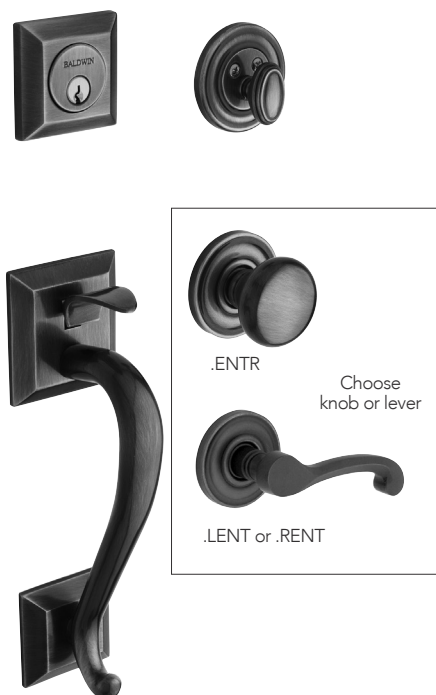
NOTE: Active THK Door Kit: 5399.xxx.A, Dummy THK Door Kit: 5399.xxx.D, & Replacement Cylinder: 8031.xxx.KD12.



*UNIT OF MEASURE: inches [mm]

TUBULAR
HANDSETS

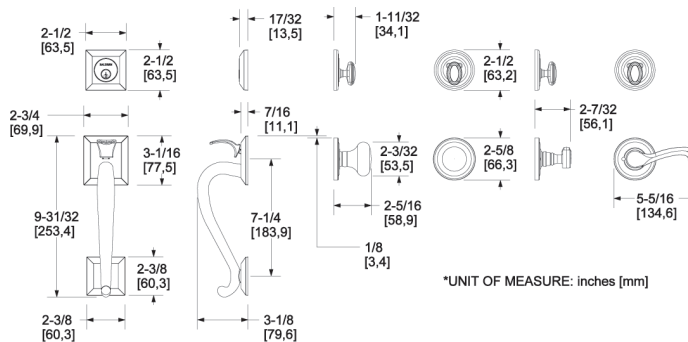
Madison® Sectional Trim
w/ 5015 Classic Knob or 5445V Classic Lever



Finish: 003, 031, 033, 044, 050, 055, 056, 060, 076, 102, 112, 190, 260, 402

Item #	Description	Wt.	Price
85320.xxx.ENTR	Single cylinder handleset with interior knob	5.6	\$609
85320.xxx.DBLC	Double cylinder handleset with interior knob	5.9	\$651
85320.xxx.FD	Full dummy set with interior knob	4.2	\$518
85320.xxx.RENT	Single cylinder handleset with lever – RH Entry	6.6	\$609
85320.xxx.LENT	Single cylinder handleset with lever – LH Entry	6.6	\$609
85320.xxx.RDBL	Double cylinder handleset with lever – RH Entry	6.9	\$651
85320.xxx.LDBL	Double cylinder handleset with lever – LH Entry	6.9	\$651
85320.xxx.RFD	Full dummy set with lever – RH Dummy	5.2	\$518
85320.xxx.LFD	Full dummy set with lever – LH Dummy	5.2	\$518

NOTE: Active THK Door Kit: 5399.xxx.A, Dummy THK Door Kit: 5399.xxx.D, & Replacement Cylinder: 8031.xxx.KD12.



*UNIT OF MEASURE: inches [mm]

*QUICK SHIP is available in functions and finishes shown in red.

ENTRANCE SETS, TUBULAR

Manchester Emergency Egress Handleset

w/ 5455V Wave Lever



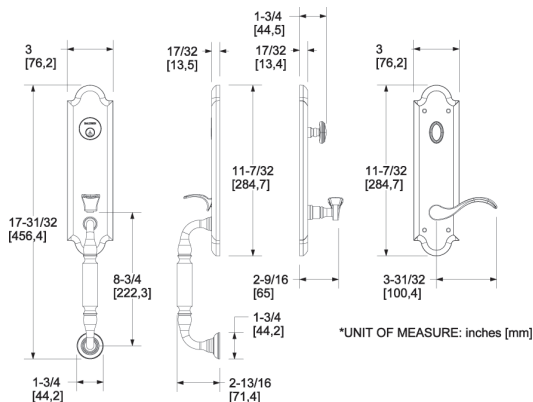
.LENT or .RENT



Finish: 003, 031, 033, 044, 050, 055, 056, 060, 076, 102, 112, 190, 260, 402

Item #	Description	Wt.	Price
85350.xxx.ENTRX	Single cylinder handleset less lever, emergency egress-active	5.7	\$767
85350.xxx.FDX	Full dummy set less lever - inactive	4.3	\$646
85350.xxx.RENT	Single cylinder handleset w/ lever, emergency egress – RH Entry	8.3	\$835
85350.xxx.LENT	Single cylinder handleset w/ lever, emergency egress – LH Entry	8.3	\$835
85350.xxx.RFD	Full dummy set with lever – RH Dummy	6.2	\$710
85350.xxx.LFD	Full dummy set with lever – LH Dummy	6.2	\$710

NOTE: Active THK Door Kit: 5399.xxx.C, Dummy THK Door Kit: 5399.xxx.D, & Replacement Cylinder: 8031.xxx.KD22.



TUBULAR
HANDLESETS

Minneapolis® Sectional Trim

w/ 5162 Minneapolis Lever



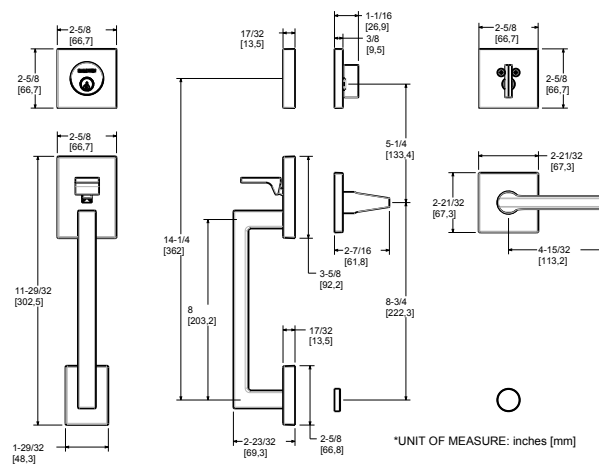
.LENT or .RENT



Finish: 003, 031, 033, 044, 050, 055, 056, 060, 076, 102, 112, 190, 260, 402

Item #	Description	Wt.	Price
85390.xxx.RENT	Single cylinder handleset with lever – RH Entry	6.8	\$664
85390.xxx.LENT	Single cylinder handleset with lever – LH Entry	6.8	\$664
85390.xxx.RDBL	Double cylinder handleset w/ Lever – RH Entry	7.2	\$697
85390.xxx.LDBL	Double cylinder handleset w/ Lever – LH Entry	7.2	\$697
85390.xxx.RFD	Full dummy set with lever – RH Dummy	5.6	\$563
85390.xxx.LFD	Full dummy set with lever – LH Dummy	5.6	\$563
85390.xxx.ENTRX	Single cylinder handleset minus lever		\$597
85390.xxx.FDX	Full dummy minus lever		\$497

NOTE: Active THK Door Kit: 5399.xxx.A, Dummy THK Door Kit: 5399.xxx.D, & Replacement Cylinder: 8031.xxx.KD12.



*QUICK SHIP is available in functions and finishes shown in red.

Minneapolis™ ¾ Escutcheon Handleset
Emergency Egress w/ 5162 Minneapolis Lever



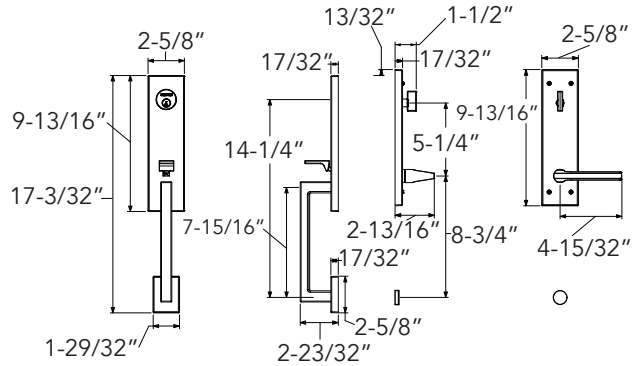
.LENT or .RENT



Finish: 003, 031, 033, 044, 050, 055, 056, 060, 076, 102, 112, 190, 260, 402

Item #	Description	Wt.	Price
85391.xxx.RENT	Single cylinder handleset w/ lever, emergency egress – RH Entry	7.3	\$835
85391.xxx.LENT	Single cylinder handleset w/ lever, emergency egress – LH Entry	7.3	\$835
85391.xxx.RFD	Full dummy set with lever – RH Dummy	5.7	\$710
85391.xxx.LFD	Full dummy set with lever – LH Dummy	5.7	\$710
85391.xxx.ENTRX	Single cylinder handleset minus lever		\$767
85391.xxx.FDX	Full dummy set minus lever		\$646

NOTE: Active THK Door Kit: 5399.xxx.C, Dummy THK Door Kit: 5399.xxx.D, & Replacement Cylinder: 8031.xxx.KD22.



Minneapolis™ Full Escutcheon Handleset
Emergency Egress w/ 5162 Minneapolis Lever



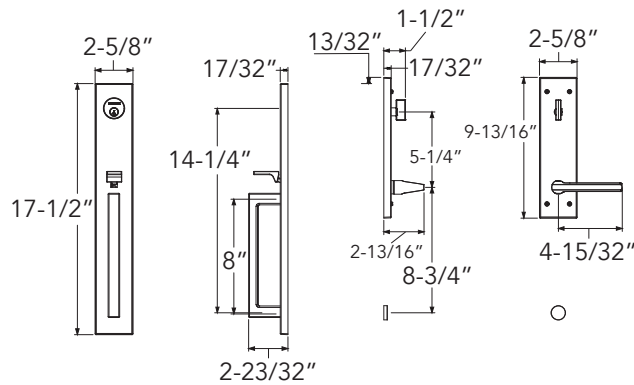
.LENT or .RENT



Finish: 003, 031, 033, 044, 050, 055, 056, 060, 076, 102, 112, 190, 260, 402

Item #	Description	Wt.	Price
85392.xxx.RENT	Single cylinder handleset w/ lever, emergency egress – RH Entry	9.2	\$945
85392.xxx.LENT	Single cylinder handleset w/ lever, emergency egress – LH Entry	9.2	\$945
85392.xxx.RFD	Full dummy set with lever – RH Dummy	7.2	\$830
85392.xxx.LFD	Full dummy set with lever – LH Dummy	7.2	\$830
85392.xxx.ENTRX	Single cylinder handleset minus lever		\$879
85392.xxx.FDX	Full dummy set minus lever		\$764

NOTE: Active THK Door Kit: 5399.xxx.C, Dummy THK Door Kit: 5399.xxx.D, & Replacement Cylinder: 8031.xxx.KD22.



TUBULAR
HANDLESETS

*QUICK SHIP is available in functions and finishes shown in red.

ENTRANCE SETS, TUBULAR

Palm Springs™ Full Escutcheon Handleset Emergency Egress w/ L024 Palm Springs Lever



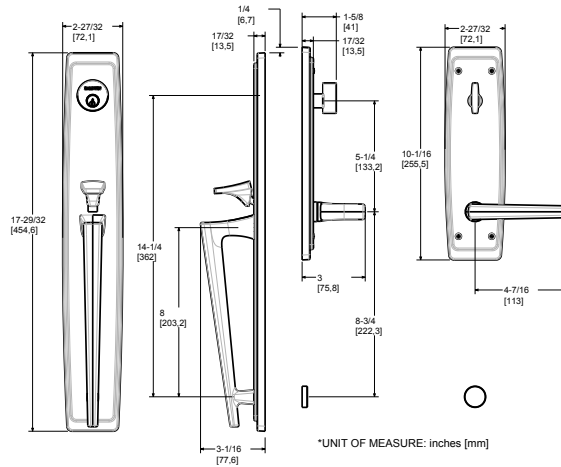
.LENT or .RENT



Finish: 003, 031, 033, 044, 050, 055, 056, 060, 076, 102, 112, 190, 260, 402

Item #	Description	Wt.	Price
85397.xxx.RENT	Single cylinder handleset w/ lever, emergency egress – RH Entry	9.2	\$945
85397.xxx.LENT	Single cylinder handleset w/ lever, emergency egress – LH Entry	9.2	\$945
85397.xxx.RFD	Full dummy set with lever – RH Dummy	7.2	\$830
85397.xxx.LFD	Full dummy set with lever – LH Dummy	7.2	\$830
85397.xxx.ENTRX	Single cylinder handleset minus lever		\$879
85397.xxx.FDX	Full dummy set minus lever		\$764

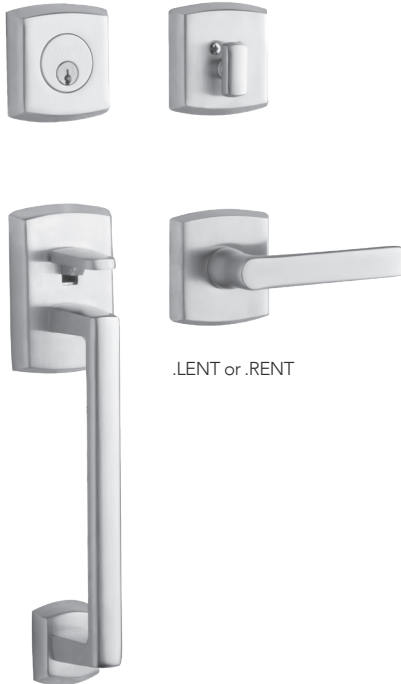
NOTE: Active THK Door Kit: 5399.xxx.C, Dummy THK Door Kit: 5399.xxx.D, & Replacement Cylinder: 8031.xxx.KD22.



TUBULAR
HANDLESSETS

Soho® Sectional Trim

w/ 5485V Soho Lever

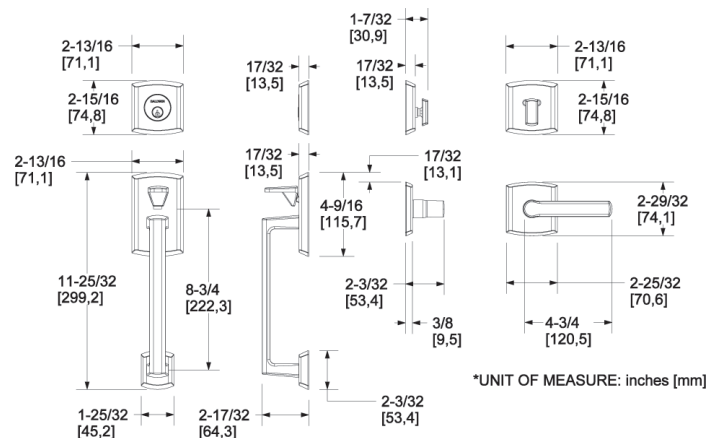


.LENT or .RENT

Finish: 003, 031, 033, 044, 050, 055, 056, 060, 076, 102, 112, 190, 260, 402

Item #	Description	Wt.	Price
85386.xxx.RENT	Single cylinder handleset w/Lever – RH Entry	6.8	\$609
85386.xxx.LENT	Single cylinder handleset w/Lever – LH Entry	6.8	\$609
85386.xxx.RDBL	Double cylinder handleset w/Lever – RH Entry	7.1	\$651
85386.xxx.LDBL	Double cylinder handleset w/Lever – LH Entry	7.1	\$651
85386.xxx.RFD	Full dummy set w/Lever – RH Dummy	5.6	\$518
85386.xxx.LFD	Full dummy set w/Lever – LH Dummy	5.6	\$518

NOTE: Active THK Door Kit: 5399.xxx.A, Dummy THK Door Kit: 5399.xxx.D, & Replacement Cylinder: 8031.xxx.KD12.



*QUICK SHIP is available in functions and finishes shown in red.

Soho® ¾ Escutcheon Handleset
Emergency Egress w/ 5485V Soho Lever

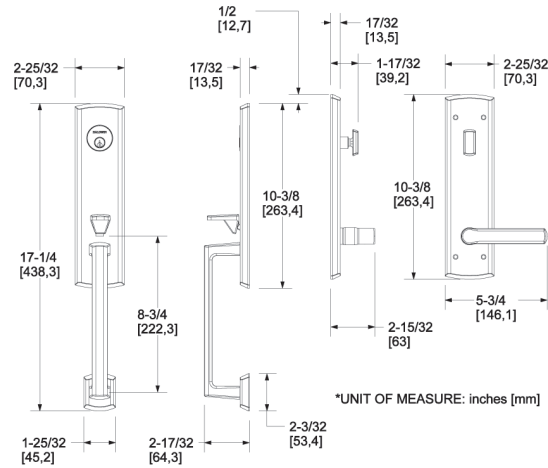


.LENT or .RENT

Finish: 003, 031, 033, 044, 050, 055, 056, 060, 076, 102, 112, 190, 260, 402

Item #	Description	Wt.	Price
85387.xxx.RENT	Single cylinder handleset/ Lever – RH Entry, Emergency Egress	7.8	\$835
85387.xxx.LENT	Single cylinder handleset/ Lever – LH Entry, Emergency Egress	7.8	\$835
85387.xxx.RFD	Full dummy set w/ Lever – RH Dummy	6.2	\$710
85387.xxx.LFD	Full dummy set w/ Lever – LH Dummy	6.2	\$710

NOTE: Active THK Door Kit: 5399.xxx.C, Dummy THK Door Kit: 5399.xxx.D, & Replacement Cylinder: 8031.xxx.KD22.



TUBULAR
HANDLESETS

Soho® Two-Point Handleset
w/ 5485V Soho Lever

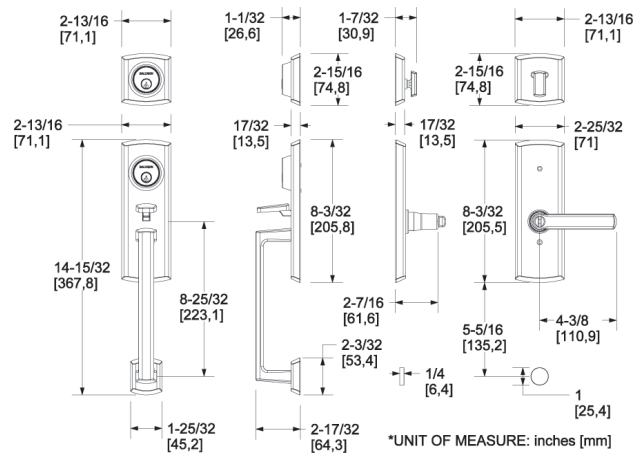


.2LH or .2RH

Finish: 003, 031, 033, 044, 050, 055, 056, 060, 076, 102, 112, 190, 260, 402

Item #	Description	Wt.	Price
85385.xxx.2RH	Single cylinder handleset with lever – RH Entry	9.7	\$835
85385.xxx.2LH	Single cylinder handleset with lever – LH Entry	9.7	\$835
85385.xxx.2DCR	Double cylinder handleset with lever – RH Entry	9.4	\$877
85385.xxx.2DCL	Double cylinder handleset with lever – LH Entry	9.4	\$877
85385.xxx.2RFD	Full dummy set with lever – RH Dummy	8.9	\$710
85385.xxx.2LFD	Full dummy set with lever – LH Dummy	8.9	\$710

NOTE: Designed to fit 1-3/4" to 2" thick doors with 2-1/8" face bore with 3 hole prep.



*QUICK SHIP is available in functions and finishes shown in red.

ENTRANCE SETS, TUBULAR

Stonegate Emergency Egress Handleset w/ 5445V Classic Lever



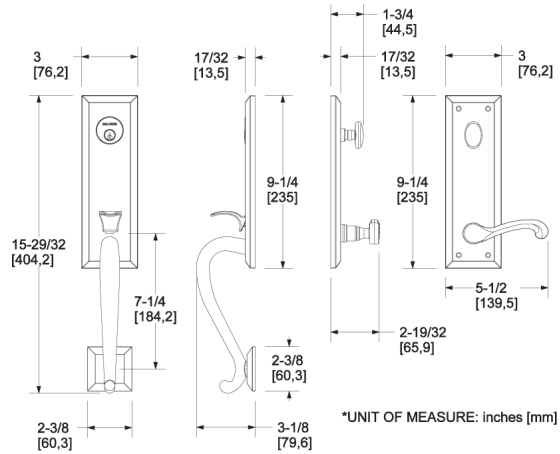
.LENT or .RENT



Finish: 003, 031, 033, 044, 050, 055, 056, 060, 076, 102, 112, 190, 260, 402

Item #	Description	Wt.	Price
85355.xxx.ENTRX	Single cylinder handleset – less lever, emergency egress - active	5.7	\$767
85355.xxx.FDX	Full dummy set less lever - inactive	4.3	\$646
85355.xxx.RENT	Single cylinder handleset w/ lever, emergency egress – RH Entry	8.1	\$835
85355.xxx.LENT	Single cylinder handleset w/ lever, emergency egress – LH Entry	8.1	\$835
85355.xxx.RFD	Full dummy set with lever – RH Dummy	5.9	\$710
85355.xxx.LFD	Full dummy set with lever – LH Dummy	5.9	\$710

NOTE: Active THK Door Kit: 5399.xxx.C, Dummy THK Door Kit: 5399.xxx.D, & Replacement Cylinder: 8031.xxx.KD22.



TUBULAR
HANDLESETS

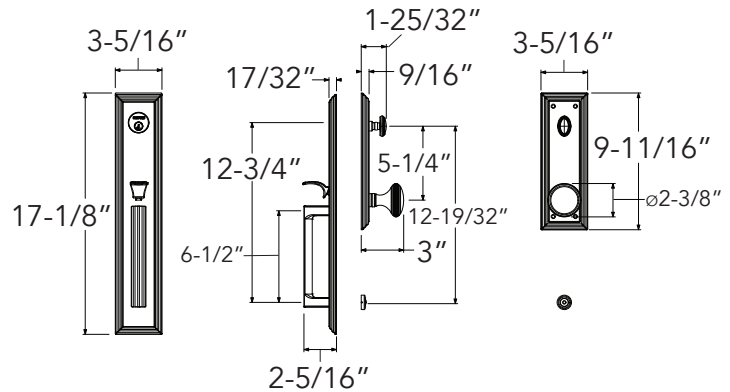
Tremont Full Escutcheon Handleset Emergency Egress w/ 5069 Knob



Finish: 003, 031, 033, 044, 050, 055, 056, 060, 076, 102, 112, 190, 260, 402

Item #	Description	Wt.	Price
85342.xxx.ENTR	Single cylinder handleset w/ knob	7.3	\$945
85342.xxx.FD	Full dummy set w/ knob		\$830
85342.xxx.ENTRX	Single cylinder handleset minus knob		\$879
85342.xxx.FDX	Full dummy set minus knob		\$764

NOTE: Active THK Door Kit: 5399.xxx.C, Dummy THK Door Kit: 5399.xxx.D, & Replacement Cylinder: 8031.xxx.KD22.



*QUICK SHIP is available in functions and finishes shown in red.

5210 & 5300 Replacement Latches



Universal Deadlocking Latch for Keyed Entry & Two -Point

Item #	Adjustable Backset	Front Length	Front Width	Description	Price
5210.xxx	2.375" (60mm) 2.75" (70mm)	2.25" (57mm)	1" (25mm)	Deadlocking Latch Bolt	\$71

FEATRUES: Latch bolts have a .5" throw, are reversible and can be used on beveled doors. Latches are supplied with 1" (25mm) face plates.

PACKED: One per box does not come with strike, fasteners and template.

Adjustable Latch for Tubular Handlesets

Finish: 003, 031, 033, 044, 050, 055, 056, 060, 076, 102, 112, 190, 260

Item #	Description	Price
5300.xxx.9	Adjustable Latch	\$65

5399 – Thick Door Kits for New Mechanics

Finish: 003, 031, 033, 044, 050 055, 056, 060, 076, 102, 112, 190, 260

Item #	Description	Wt.	Price
5399.xxx.A	For all Sectional and Escutcheon Single Cylinder Entrance function handlesets to fit 2" & 2 ¼" thick door	0.3	\$70
5399.xxx.B	For all Sectional and Escutcheon Double Cylinder Entrance handlesets to fit 2" & 2 ¼" thick doors	0.4	\$70
5399.xxx.C	For all Emergency Egress function handlesets to fit 2" & 2 ¼" thick doors	0.3	\$70
5399.xxx.D	For all Full Dummy handle functions -- Sectional, Escutcheon and Emergency Egress to fit 2" & 2 ¼" thick doors	0.1	\$24

FEATURES: Each conversion kit includes tailpieces (if necessary), thru-bolts, strike plate, and instructions for modifying sets for use on doors either 2" (51mm) or 2 ¼" (57mm) in thickness. (Must specify finish)

WEIGHT: 2.1 lbs. (.09kg)

5399 – Repair Kits for New Mechanics

Finish: 003, 031, 044, 050, 055 056, 060, 076, 102, 112, 190, 260, 402

Item #	Description	Wt.	Price
5399.xxx.G	For active Sectional and Escutcheon handlesets with Interior Knobs including Single Cylinder (ENTR) and Double Cylinder (DBLC) sets	1.1	\$70
5399.xxx.H	For active Sectional and Escutcheon handlesets with Interior Levers including Single Cylinder (LHRH) and Double Cylinder (LRDB) sets	1.3	\$70
5399.xxx.K	For Full Dummy (FD or LRFD) Sectional, Escutcheon, and Emergency Egress handlesets with a Traditional oval thumbpiece including Interior Knobs or Levers	0.7	\$54
5399.xxx.M	For active Emergency Egress handlesets (ENTR) with an oval egress cartridge, a Traditional oval thumbpiece, and an Interior Knob	2.0	\$70
5399.xxx.N	For active Emergency Egress handlesets (LENT or RENT) with a rectangular egress cartridge, a Traditional oval thumbpiece, and an Interior Lever	2.0	\$70

NOTE: All parts must be installed for proper lock function.

5300 – Thumblift Repair Kit

Item #	Description	Price
5300.000.005	Thumblift Repair Kit	\$27

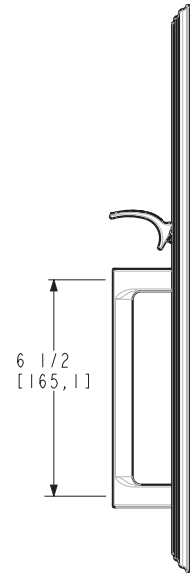
*QUICK SHIP is available in functions and finishes shown in red.

TUBULAR
HANDSETS

Exterior Handle Set Grip Center to Center Specifications

Below are the handle set grip center to center specifications for all Tubular handle sets. To locate throughbolt location from the center of the latch bore, add 3/4" to the CTC.

Item#	Description	Grip CTC
6402.xxx.ENTR	6402 Boulder Full Escutcheon	8.000
6402.xxx.RENT/LENT	6402 Boulder Full Escutcheon	8.000
6403.xxx.ENTR	6403 Cody Full Escutcheon	8.000
6403.xxx.RENT/LENT	6403 Cody Full Escutcheon	8.000
85316.XXX.RENT/LENT	85316 Gramercy Full Escutcheon	8.000
85317.XXX.RENT/LENT	85317 Gramercy Knurled Full Escutcheon	8.000
85310.xxx.ENTR	85310 Hollywood Hills Sectional	8.000
85311.xxx.ENTR	85311 Hollywood Hills Full Escutcheon	8.000
85315.xxx.ENTR	85315 Logan Sectional	6.500
85315.xxx.RENT/LENT	85315 Logan Sectional	6.500
85320.xxx.ENTR	85320 Madison	6.500
85320.xxx.RENT/LENT	85320 Madison	6.500
85327.xxx.ENTR	85327 Bethpage Sectional	7.750
85327.xxx.RENT/LENT	85327 Bethpage Sectional	7.750
85337.xxx.ENTR	85337 Bethpage 3/4 Escutcheon	7.750
85337.xxx.RENT/LENT	85337 Bethpage 3/4 Escutcheon	7.750
85342.xxx.ENTR	85342 Tremont	6.500
85350.xxx.RENT/LENT	85350 Manchester 3/4 Escutcheon	8.000
85352.xxx.ENTR	85352 Cody 3/4 Escutcheon	8.000
85352.xxx.RENT/LENT	85352 Cody 3/4 Escutcheon	8.000
85354.xxx.ENTR	85354 Boulder 3/4 Escutcheon	8.000
85354.xxx.RENT/LENT	85354 Boulder 3/4 Escutcheon	8.000
85355.xxx.RENT/LENT	85355 Stonegate	6.500
85360.xxx.ENTR	85360 Blakely	6.500
85386.xxx.RENT/LENT	85386 Soho Sectional	8.000
85387.xxx.RENT/LENT	85387 Soho 3/4 Escutcheon	8.000
85390.xxx.RENT/LENT	85390 Minneapolis Sectional	8.000
85391.xxx.RENT/LENT	85391 Minneapolis 3/4 Escutcheon	8.000
85392.xxx.RENT/LENT	85392 Minneapolis Full Escutcheon	8.000
85397.xxx.RENT/LENT	85397 Palm Springs	8.000



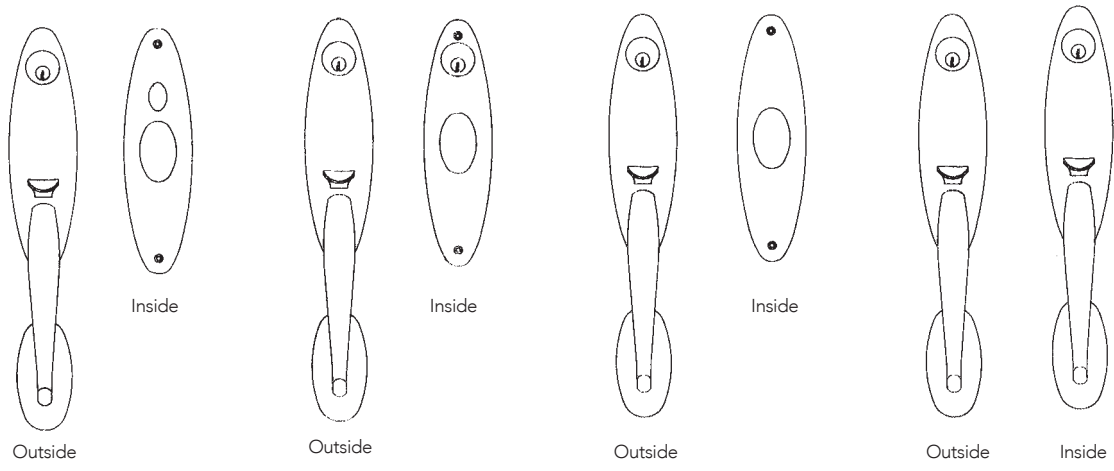
TUBULAR
HANDLESETS

MORTISE LOCKS



HOW TO ORDER

Refer to back cover for ordering guide

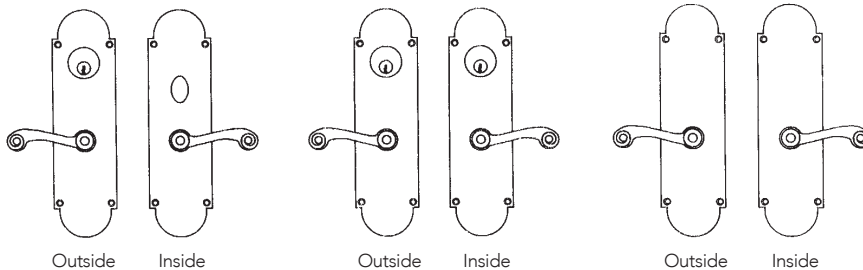


ENTRANCE (ENTR)

ENTRANCE* DOUBLE CYLINDER (DBLC)

FULL DUMMY (FD)

BACK TO BACK (BB75)



ENTRANCE (ENTR)

ENTRANCE* DOUBLE CYLINDER (DBLC)

FULL DUMMY (FD)

***WARNING:** Double cylinder functions on any application used for Egress may present a safety hazard in times of emergency. Installation should be in accordance with local codes.

MORTISE LOCKS



Watch for this icon as your quick guide to coordinating Baldwin lock hardware throughout your home. Your favorite Baldwin styles can be available in Tubular, Mortise, or Multi-Point.



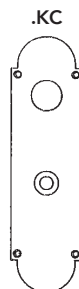
This symbol signifies that the illustrated lock trim will cover most single tubular cut-outs when used with appropriate backset mortise lock. Individual conditions should be examined to confirm acceptability.

Escutcheon Plate Configurations

Ordered in half pairs except for privacy (.KP) cut-outs which are ordered in pairs.



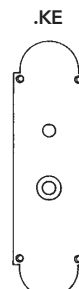
ENTRANCE (KNOB HOLE)
MORTISE AND TUBULAR APPLICATION



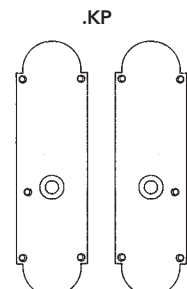
ENTRANCE (KNOB AND CYLINDER HOLE)
MORTISE APPLICATION



PRIVACY (KNOB AND TURN PIECE ATTACHED)
MORTISE AND TUBULAR APPLICATION



EMERGENCY RELEASE (KNOB AND ER HOLE)
MORTISE AND TUBULAR APPLICATION



PRIVACY PIN* (KNOB AND PRIVACY PIN HOLE)
***NOT AVAILABLE ON ALL ESCUTCHEONS**
USED FOR TUBULAR PRIVACY LATCH APPLICATION

Terminology

All the codes used in Entrance Trim

ESCUTCHEON TRIMS

Function Code	Description
.ENTR	Active Entrance Trim – Knobs, Levers
.RENT	Right-handed Active Handleset – Levers
.LENT	Left-handed Active Handleset – Levers
.DBLC	Double Cylinder Active Entrance Trim
.FD	Full Dummy Trim
.RFD	Right-Handed Full Dummy
.LFD	Left-Handed Full Dummy
.BB75	Back to Back Entrance Trims 1 ¾” Doors
.BB30	Back to Back Entrance Trims up to 3” Doors
.BBFD	Back to Back Full Dummy
.KC	Knob and Cylinder Hole
.KT	Knob and Turn Piece Attached
.KN	Knob Hole
.KP	Knob and Privacy Button Hole (only sold in Pairs)
.KE	Knob and Emergency Release Hole
.KCIS	Cut for Cylinder Inside*
.KEIS	Cut for Emergency Release Inside*
.KNIS	Cut for Knob Inside*
.KTIS	Cut for Turn Piece Inside*
.KCOS	Cut for Cylinder Outside **
.KEOS	Cut for Emergency Release Outside**
.KNOS	Cut for Knob Outside**
.KTOS	Cut for Turn Piece Outside**

*Surface Mounted Thru-Bolt

** Thru-Bolted (No Surface Screws)

MORTISE LOCKS

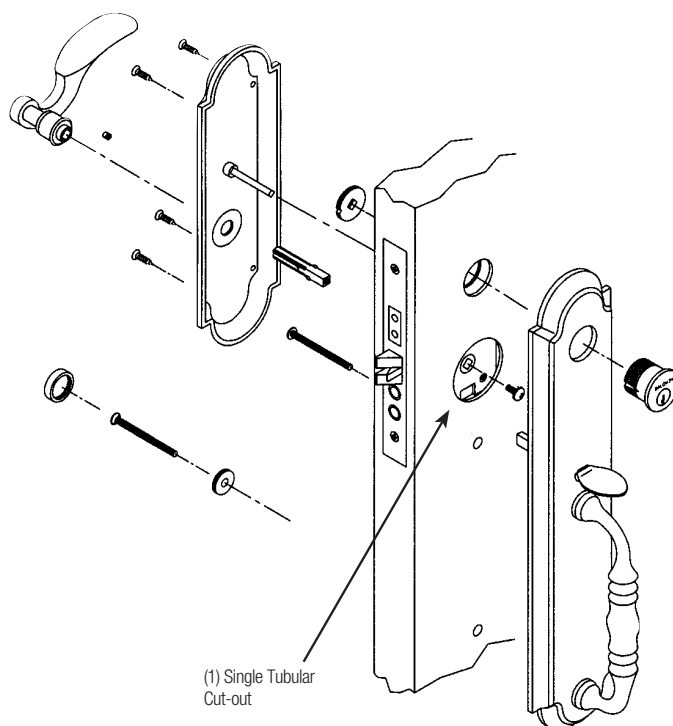
Function Code	Description
.R	Right-handed Mortise Lock (Knobs)
.L	Left -handed Mortise Lock (Knobs)
.RLS	Right-handed Mortise Lock Lever Strength (Levers)
.LLS	Left-handed Mortise Lock Lever Strength (Levers)
.RR	Right-handed Reverse Bevel Mortise Lock (Knobs)
.LR	Left-handed Reverse Bevel Mortise Lock (Knobs)
.RRLS	Right-handed Reverse Bevel Mortise Lock Lever Strength (Levers)
.LRLS	Left-handed Reverse Bevel Mortise Lock Lever Strength (Levers)
.LRB1	Right-handed Reverse Bevel Mortise Lock Lever Strength (Levers) w/ 1” Front
.RRB1	Left-handed Reverse Bevel Mortise Lock Lever Strength (Levers) w/ 1” Front

MORTISE LOCKS

Pre-Drilled Doors



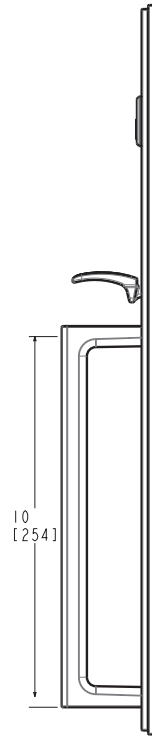
This symbol signifies that the illustrated lock trim will cover most single tubular cut-outs when used with appropriate backset mortise lock. Individual conditions should be examined to confirm acceptability.



Exterior Handle Set Grip Center to Center Specifications

Below are the handle set grip center to center specifications for all Mortise handle sets.

Item#	Description	Grip CTC
6542.xxx.ENTR	6542 Tremont	7.000
6544.xxx.RENT /.LENT	6544 Hamilton	7.000
6560.xxx.ENTR	6560 Lexington	6.500
6571.xxx.ENTR	6571 Concord	5.500
6573.xxx.ENTR	6573 Springfield	6.500
6921.xxx.RENT /.LENT	6921 Palm Springs	8.000
6944.xxx.RENT /.LENT	6944 Pasadena	8.000
6946.xxx.ENTR	6946 Hollywood Hills	10.000
6950.xxx.RENT /.LENT	6950 Kensington	6.500
6952.xxx.RENT /.LENT	6952 Edinburgh	8.000
6963.xxx.RENT /.LENT	6963 Bristol	6.000
6966.xxx.RENT /.LENT	6966 Lakeshore	6.500
6971.xxx.RENT/LENT	6971 Gramercy 20" Full Escutcheon	10.000
6972.xxx.RENT/LENT	6972 Gramercy Knurled 20" Full Escutcheon	10.000
6976.xxx.RENT /.LENT	6976 Minneapolis 16"	7.000
6977.xxx.RENT /.LENT	6977 Minneapolis 20"	10.000
M502.xxx.ENTR	M502 Cody 3/4 Escutcheon	8.000
M502.xxx.RENT /.LENT	M502 Cody 3/4 Escutcheon	8.000
M504.xxx.ENTR	M504 Cody Full Escutcheon	8.000
M504.xxx.RENT /.LENT	M504 Cody Full Escutcheon	8.000
M512.xxx.ENTR	M512 Boulder 3/4 Escutcheon	8.000
M512.xxx.RENT /.LENT	M512 Boulder 3/4 Escutcheon	8.000
M514.xxx.ENTR	M514 Boulder Full Escutcheon	8.000
M514.xxx.RENT /.LENT	M514 Boulder Full Escutcheon	8.000
M516.xxx.RENT /.LENT	M516 Soho 3/4 Escutcheon	8.000
M522.xxx.ENTR	M522 Bethpage 3/4 Escutcheon	7.750
M522.xxx.RENT /.LENT	M522 Bethpage 3/4 Escutcheon	7.750



MORTISE LOCKS

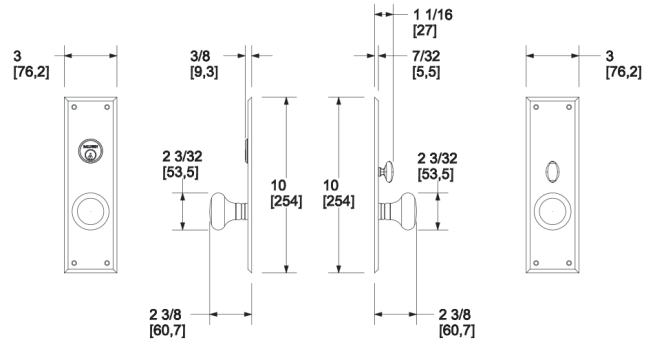


Finish: 003, 031, 033, 044, 050, 055, 056, 060, 076, 102, 112, 190, 260



	Item #	Description		Price
SET	6552.xxx.ENTR	Entrance Trim	Set	\$760
	6552.xxx.DBLC	Double Cylinder	Set	\$760
	6552.xxx.FD	Full Dummy	Set	\$760
	6552.xxx.ENFD†	1 Active Entrance Set + 1 Full Dummy Set	2 Sets	\$1,520
EXT	6552.xxx.DM	Dummy Exterior Trim	Each	\$330
INTERIOR		Interior Escutcheon –		
	6767.xxx.KC	Cut for Cylinder (KC), Double Cylinder	Each	\$295
	6767.xxx.KE**	Cut for Emergency Release (KE)	Each	\$295
	6767.xxx.KN	Cut for Knob (KN), Passage/Dummy	Each	\$295
	6767.xxx.KT	Interior Escutcheon w/ Turn Knob (KT)	Each	\$348
	6767.xxx.KP	Escutcheons Cut for Privacy (KP)	Pair	\$590

†.ENFD only available in 050 & 112, to ensure a finish match on all components.



*UNIT OF MEASURE: inches [mm]

Trim thickness: .1875" – D

Sets

	6552.xxx.ENTR	6552.xxx.DBLC	6552.xxx.FD
Exterior Trim	6767.xxx.KC	6767.xxx.KC	6767.xxx.KN
Interior Escutcheon	6767.xxx.KT	6767.xxx.KC	6767.xxx.KN
Knob/Lever	5015.xxx.MR (Pair)	5015.xxx.MR (Pair)	5015.xxx.MR (Pair)
Spindle	0522.004 (4" Swivel)	0522.004 (4" Swivel)	5099.0042
Cylinder	8322 (1.75" door)	• 8322.xxx.DBL	0511.004
Mortise Lock	•	•	
Blocking Ring		• 8440.xxx.002 (x2)	



A La Carte

	Entrance	Privacy	Passage
Exterior Trim	6767.xxx.KC	6767.xxx.KE	6767.xxx.KN
Interior Escutcheon	6767.xxx.KT	6767.xxx.KT or .KP	6767.xxx.KN
Knob/Lever	5106.xxx.MR (Pair)	5015.xxx.MR (Pair)	5015.xxx.MR (Pair)
Spindle	•	•	•
Cylinder	•		
Mortise Lock	•	• Tubular Latch & Mortise Bolt / or Mortise Lock	• Tubular Latch / or Mortise Lock
Blocking Ring			
Turn Knob			

REQUIRED

Must order separately shown in grey

** (All .KE hardware include 6701 ER cover)

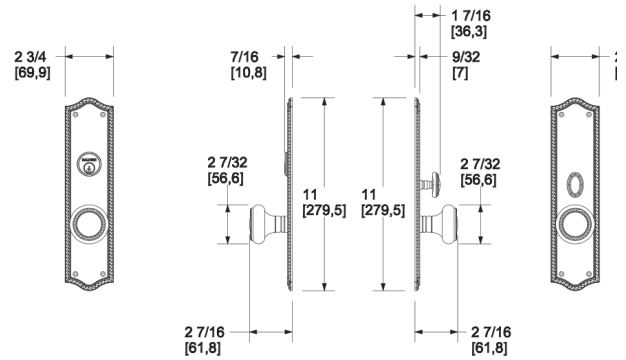




Finish: 003, 031, 033, 044, 050, 055, 056, 060, 076, 102, 112, 190, 260

	Item #	Description		Price
SET	6554.xxx.ENTR	Entrance Trim – Barclay	Set	\$760
	6554.xxx.DBLC	Double Cylinder	Set	\$760
	6554.xxx.FD	Full Dummy	Set	\$760
	6554.xxx.ENFD†	1 Active Entrance Set + 1 Full Dummy Set	2 Sets	\$1,520
EXT	6554.xxx.DM	Dummy Exterior only	Each	\$330
INTERIOR		Interior Escutcheon –		
	6991.xxx.KC	Cut for Cylinder (KC), Double Cylinder	Each	\$295
	6991.xxx.KE**	Cut for Emergency Release (KE)	Each	\$295
	6991.xxx.KN	Cut for Knob (KN), Passage/Dummy	Each	\$295
	6991.xxx.KT	Interior Escutcheon w/ Turn Knob (KT)	Each	\$348
	6991.xxx.KP	Escutcheons Cut for Privacy (KP)	Pair	\$590

†.ENFD only available in 050 & 112, to ensure a finish match on all components.



*UNIT OF MEASURE: inches [mm]
 Trim thickness: .375" – G

MORTISE LOCKS

Sets	6554.xxx.ENTR	6554.xxx.DBLC	6554.xxx.FD
Exterior Trim	6991.xxx.KC	6991.xxx.KC	
Interior Escutcheon	6991.xxx.KT	6991.xxx.KC	6991.xxx.KN (x2)
Knob/Lever	5064.xxx.MR (Pair)	5064.xxx.MR (Pair)	5064.xxx.MR (Pair)
Spindle	0522.004 (4" Swivel)	0522 (4" Swivel)	0511.004 (4" Straight)
Cylinder	8323 (1.75" door)	• 8324.XXX.DBL	5099.004 (x2)
Mortise Lock	• (Knob Strength)	• (Knob Strength)	
Blocking Ring		• 8440.xxx.001	



A La Carte

Passage

Exterior Trim	6991.xxx.KN
Interior Escutcheon	6991.xxx.KN
Knob/Lever	5064.xxx.MR
Spindle	•
Cylinder	
Mortise Lock	• Tubular Latch / or Mortise Lock
Blocking Ring	
Turn Knob	

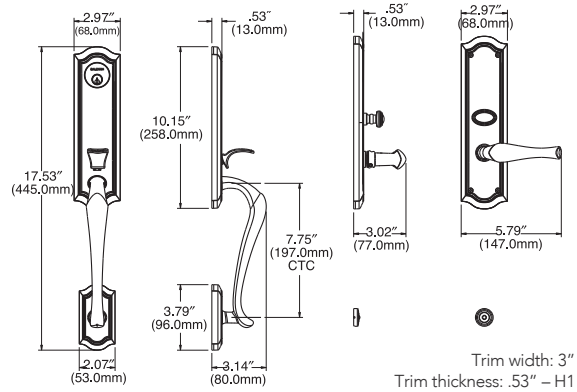
Must order separately shown in grey

** (All .KE hardware include 6701 ER cover)

Finish: 003, 031, 033, 044, 050, 055, 056, 060, 076, 102, 112, 190, 260, 402



	Item #	Description		Price
SET	M522.xxx.ENTR	Entrance Trim – Knob	Set	\$760
	M522.xxx.RENT (LENT)	Entrance Trim – Lever	Set	\$760
	M522.xxx.FD	Full Dummy – Knob	Set	\$760
	M522.xxx.RFD (LFD)	Full Dummy – Lever	Set	\$760
EXT	M522.xxx	Active Exterior Trim	Each	\$330
	M522.xxx.DM	Dummy Exterior Trim	Each	\$330
INTERIOR		Interior Escutcheon –		
	M522.xxx.KC	Cut for Cylinder (KC), Double Cylinder	Each	\$295
	M522.xxx.KE**	Cut for Emergency Release (KE)	Each	\$295
	M522.xxx.KN	Cut for Knob (KN), Passage/Dummy	Each	\$295
	M522.xxx.KT	Interior Escutcheon w/ Turn Knob (KT)	Each	\$348



Lever Sets

	M522.xxx.RENT (LENT)	M522.xxx.RFD (LFD)
Exterior Trim	M522.xxx	M522.xxx.DM
Interior Escutcheon	M522.xxx.KT	M522.xxx.KN
Knob/Lever	5447V.xxx.LMR (RMR)	5447V.xxx.LMR (RMR)
Spindle	0530.004 (2.375" Half)	5077.004 (1.5" Dummy)
Cylinder	8325 (1.75" door)	6761 (Dummy)
Mortise Lock	•	
Blocking Ring		



Knob Sets

	M522.xxx.ENTR	M522.xxx.FD
Exterior Trim	M522.xxx	M522.xxx.DM
Interior Escutcheon	M522.xxx.KT	M522.xxx.KN
Knob/Lever	5077.xxx.IMR	5077.xxx.IMR
Spindle	0530.004 (2.375" Half)	5077.004 (1.5" Dummy)
Cylinder	8325 (1.75" door)	6761 (Dummy)
Mortise Lock	•	
Blocking Ring		

MORTISE LOCKS

*QUICK SHIP is available in functions and finishes shown in red.

SEE BACK COVER FLAP for easy-ordering charts and requirements for doors thicker than 1.75"

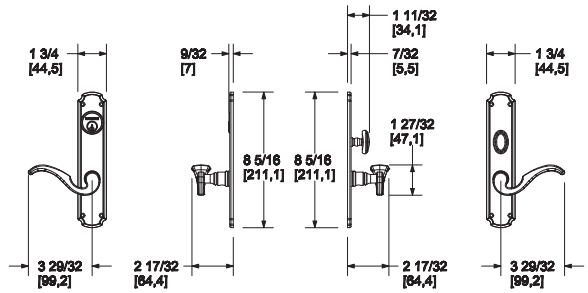


Finish: 003, 031, 033, 044, 050, 055, 056, 060, 076, 102, 112, 190, 260, 402



	Item #	Description		Price
SET	6942.xxx.ENTR	Entrance Trim	Set	\$760
	6942.xxx.DBLC	Double Cylinder	Set	\$760
	6942.xxx.FD	Full Dummy	Set	\$760
	6942.xxx.ENFD†	1 Active Entrance Set + 1 Full Dummy Set	2 Sets	\$1,520
EXT	6942.xxx.RDM (LDM)	Dummy Exterior only	Each	\$330
INTERIOR		Interior Escutcheon –		
	6986.xxx.KC	Cut for Cylinder (KC), Double Cylinder	Each	\$295
	6986.xxx.KE**	Cut for Emergency Release (KE)	Each	\$295
	6986.xxx.KN	Cut for Knob (KN), Passage/Dummy	Each	\$295
	6986.xxx.KT	Interior Escutcheon w/ Turn Knob (KT)	Each	\$348

†.ENFD only available in 050 & 112, to ensure a finish match on all components.



*UNIT OF MEASURE: inches [mm]

Trim thickness: .125" – C

MORTISE LOCKS



Sets	6942.xxx.ENTR	6942.xxx.DBLC	6942.xxx.FD
Exterior Trim	6986.xxx.KC	6986.xxx.KC	6986.xxx.KN
Interior Escutcheon	6986.xxx.KT	6986.xxx.KC	6986.xxx.KN
Knob/Lever	5152.xxx.MR (Pair)	5152.xxx.MR (Pair)	5152.xxx.MR (Pair)
Spindle	0522.004 (4" Swivel)	0522.004 (4" Swivel)	0511.004 (4" Straight)
Cylinder	8322 (1.75" door)	8321.xxx.DBLC	5099.004 (x2)
Mortise Lock	• (Lever Strength)	• (Lever Strength)	
Blocking Ring		• 8440.xxx.1	

A La Carte	Entrance	Privacy	Passage
Exterior Trim	6986.xxx.KC	6986.xxx.KE**	6986.xxx.KN
Interior Escutcheon	6986.xxx.KT	6986.xxx.KT	6986.xxx.KN
Knob/Lever	5064.xxx.MR	5152.xxx.MR	5152.xxx.MR
Spindle	•	•	•
Cylinder	•		
Mortise Lock	•	• Tubular Latch & Mortise Bolt / or Mortise Lock	• Tubular Latch / or Mortise Lock
Blocking Ring			
Turn Knob			

REQUIRED

Must order separately shown in grey

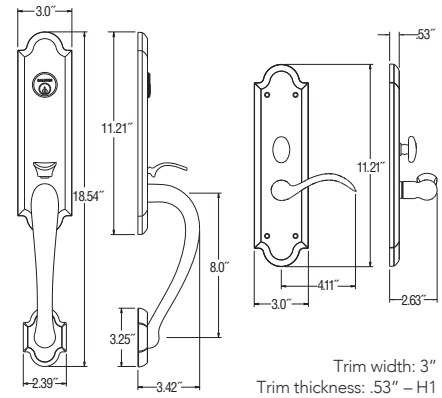
** (All .KE hardware include 6701 ER cover)

SEE BACK COVER FLAP for easy-ordering charts and requirements for doors thicker than 1.75"

Finish: 003, 031, 033, 044, 050, 055, 056, 060, 076, 102, 112, 190, 260, 402



	Item #	Description		Price
SET	M512.xxx.ENTR	Entrance Trim – Knob	Set	\$760
	M512.xxx.RENT (LENT)	Entrance Trim – Lever	Set	\$760
	M512.xxx.FD	Full Dummy – Knob	Set	\$760
	M512.xxx.RFD (LFD)	Full Dummy – Lever	Set	\$760
EXT	M512.xxx	Active Exterior Trim	Each	\$330
	M512.xxx.DM	Dummy Exterior Trim	Each	\$330
INTERIOR		Interior Escutcheon –		
	M512.xxx.KC	Cut for Cylinder (KC), Double Cylinder	Each	\$295
	M512.xxx.KE**	Cut for Emergency Release (KE)	Each	\$295
	M512.xxx.KN	Cut for Knob (KN), Passage/Dummy	Each	\$295
	M512.xxx.KT	Interior Escutcheon w/ Turn Knob (KT)	Each	\$348



Lever Sets

	M512.xxx.RENT (LENT)	M512.xxx.RDBL (LDBL)	M512.xxx.RFD (LFD)
Exterior Trim	M512.xxx	M512.xxx	M512.xxx.DM
Interior Escutcheon	M512.xxx.KT	M512.xxx.KC	M512.xxx.KN
Knob/Lever	5452V.xxx.LMR (RMR)	5452V.xxx.LMR (RMR)	5452V.xxx.LMR (RMR)
Spindle	0530.004 (2.375" Half)	0530 (2.375" Half)	5077.004 (1.5" Dummy)
Cylinder	8325 (1.75" door)	• 8324.xxx.DBL	6761 (Dummy)
Mortise Lock	•	•	
Blocking Ring		•	



Knob Sets

	M512.xxx.ENTR	M512.xxx.DBLC	M512.xxx.FD
Exterior Trim	M512.xxx	M512.xxx	M512.xxx.DM
Interior Escutcheon	M512.xxx.KT	M512.xxx.KC	M512.xxx.KN
Knob/Lever	5024.xxx.IMR	5024.xxx.IMR	5024.xxx.IMR
Spindle	0530.004 (2.375" Half)	0530.004 (2.25" Half)	5077.004 (1.5" Dummy)
Cylinder	8325 (1.75" door)	(Double)	6761 (Dummy)
Mortise Lock	•	•	
Blocking Ring		•	

** (All .KE hardware include 6701 ER cover)

SEE BACK COVER FLAP for easy-ordering charts and requirements for doors thicker than 1.75"

MORTISE LOCKS

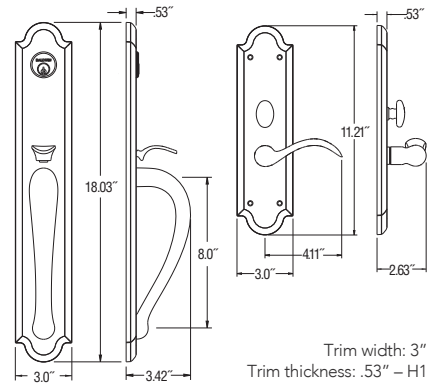
ENTRANCE TRIM, MORTISE | BOULDER FULL ESCUTCHEON



Finish: 003, 031, 033, 044, 050, 055, 056, 060, 076, **102, 112, 190, 260, 402**



	Item #	Description		Price
SET	M514.xxx.ENTR	Entrance Trim – Knob	Set	\$990
	M514.xxx.RENT (LENT)	Entrance Trim – Lever	Set	\$990
	M514.xxx.FD	Full Dummy – Knob	Set	\$990
	M514.xxx.RFD (LFD)	Full Dummy – Lever	Set	\$990
EXT	M514.xxx	Active Exterior Trim	Each	\$560
	M514.xxx.DM	Dummy Exterior Trim	Each	\$560
INTERIOR		Interior Escutcheon –		
	M512.xxx.KC	Cut for Cylinder (KC), Double Cylinder	Each	\$295
	M512.xxx.KE**	Cut for Emergency Release (KE)	Each	\$295
	M512.xxx.KN	Cut for Knob (KN), Passage/Dummy	Each	\$295
	M512.xxx.KT	Interior Escutcheon w/ Turn Knob (KT)	Each	\$348



MORTISE LOCKS

Lever Sets

	M514.xxx.RENT (LENT)	M514.xxx.RDBL (LFD)	M514.xxx.RFD (LFD)
Exterior Trim	M514.xxx	M514.xxx	M514.xxx.DM
Interior Escutcheon	M514.xxx.KT	M512.xxx.KC	M512.xxx.KN
Knob/Lever	5452V.xxx.LMR (RMR)	5452V.xxx.LMR (RMR)	5452V.xxx.LMR (RMR)
Spindle	0530.004 (2.375" Half)	0530 (2.375" Half)	5077.004 (1.5" Dummy)
Cylinder	8325 (1.75" door)	• 8324.xxx.DBL	6761 (Dummy)
Mortise Lock	•	•	
Blocking Ring		•	



Knob Sets

	M514.xxx.ENTR	M514.xxx.DBLC	M514.xxx.FD
Exterior Trim	M514.xxx	M514.xxx	M514.xxx.DM
Interior Escutcheon	M512.xxx.KT	M512.xxx.KC	M512.xxx.KN
Knob/Lever	5024.xxx.IMR	5024.xxx.IMR	5024.xxx.IMR
Spindle	0530.004 (2.375" Half)	0530.004 (2.375" Half)	5077.004 (1.5" Dummy)
Cylinder	8325 (1.75" door)	8324.xxx.DBL	6761 (Dummy)
Mortise Lock	•	•	
Blocking Ring		•	

****(All .KE hardware include 6701 ER cover)**

SEE BACK COVER FLAP for easy-ordering charts and requirements for doors thicker than 1.75"

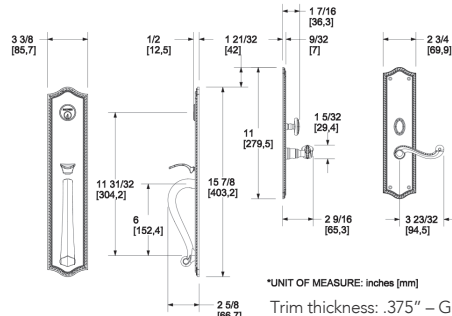
***QUICK SHIP** is available in functions and finishes shown in red.



Finish: 003, 031, 033, 044, 050, 055, 056, 060, 076, 102, 112, 190, 260, 402

Item #	Description		Price
SET	6963.xxx.RENT (LENT)	Entrance Trim – Bristol	Set \$1,219
	6963.xxx.RDBL (LBDL)	Double Cylinder	Set \$1,219
	6963.xxx.RFD (LFD)	Full Dummy	Set \$1,219
	6963.xxx.ENFD†	1 Active Entrance Set + 1 Full Dummy Set	2 Sets \$2,438
	6627.xxx.BB75	Entrance Back-to-Back - 1.75" door	Set \$1,642
	6627.xxx.BB30	Entrance Back-to-Back - up to 3" door	Set \$1,642
EXT	6627.xxx.BBFD	Dummy Back-to-Back	Set \$1,642
	6627.xxx	Active Exterior Trim only	Each \$880
INTERIOR	6627.xxx.DM	Dummy Exterior only	Each \$880
	6991.xxx.KC	Interior Escutcheon – Cut for Cylinder (KC), Double Cylinder	Each \$295
	6991.xxx.KE**	Cut for Emergency Release (KE)	Each \$295
	6991.xxx.KN	Cut for Knob (KN), Passage/Dummy	Each \$295
	6991.xxx.KT	Interior Escutcheon w/ Turn Knob (KT)	Each \$348
6991.xxx.KP	Escutcheons Cut for Privacy (KP)	Pair \$590	

NOTE: For interior trim, see Barclay.
†.ENFD only available in 050 & 112, to ensure a finish match on all components.



Sets

	6963.xxx.LENT (RENT)	6963.xxx.LDBL (RDBL)	6963.xxx.LFD (RFD)	6627.xxx.BB75 (BB30, BBFD)
Exterior Trim	6627.xxx	6627.xxx	6627.xxx.DM	6627.xxx (x2)
Interior Escutcheon	6991.xxx.KT	6991.xxx.KC	6991.xxx.KN	
Knob/Lever	5104.xxx.RMR (LMR)	5104.xxx.RMR (LMR)	5104.xxx.RMR (LMR)	
Spindle	0530.004 (2.375" Half)	0530.004 (2.375" Half)	5092.004 (1.125" Dummy)	•
Cylinder	8323 (1.75" door)	• 8323.000.DBL	6761 (Dummy)	• 8323.000.DBL
Mortise Lock	• (Lever Strength)	• (Lever Strength)		•
Blocking Ring		• 8440.xxx.001		•

In an effort to simplify the mortise trim offering, some escutcheon trim sets will no longer be available pre-configured. However, these configurations are still available a la carte. See breakouts below by function.

A La Carte

	Entry	Double Cylinder	Full Dummy
Exterior Trim	6991.xxx.KC	6991.xxx.KC	6991.xxx.KN
Interior Escutcheon	6991.xxx.KT	6991.xxx.KC	6991.xxx.KN
Knob/Lever	5104.xxx.MR (Pair)	5104.xxx.MR (Pair)	5104.xxx.MR (Pair)
Spindle	0522.004 (4" Swivel)	0522.004 (4" Swivel)	5099.004 & 0511.004 (2 EA)
Cylinder	•	• (Double)	
Mortise Lock	• (Lever Strength)	• (Lever Strength)	
Blocking Ring		•	

A La Carte

	Entrance	Privacy
Exterior Trim	6627.xxx	6691.xxx.KE**
Interior Escutcheon	6991.xxx.KT	6991.xxx.KT or .KP
Knob/Lever	Half Pair	Pair
Spindle	•	•
Cylinder	•	
Mortise Lock	•	•
Blocking Ring		
Turn Knob		

Must order separately shown in grey

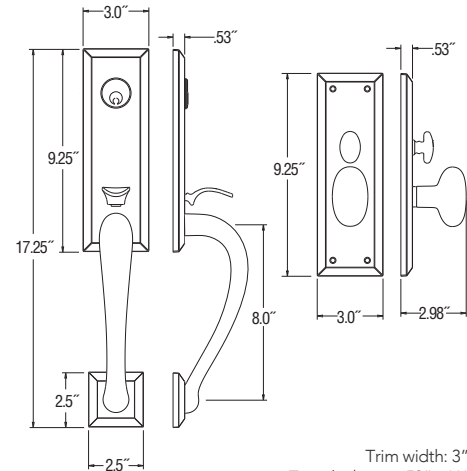
** (All .KE hardware include 6701 ER cover)

MORTISE LOCKS



Finish: 003, 031, 033, 044, 050, 055, 056, 060, 076, 102, 112, 190, 260, 402

	Item #	Description		Price
SET	M502.xxx.ENTR	Entrance Trim – Knob	Set	\$760
	M502.xxx.RENT (LENT)	Entrance Trim – Lever	Set	\$760
	M502.xxx.FD	Full Dummy – Knob	Set	\$760
	M502.xxx.RFD (LFD)	Full Dummy – Lever	Set	\$760
EXT	M502.xxx	Active Exterior Trim	Each	\$330
	M502.xxx.DM	Dummy Exterior Trim	Each	\$330
INTERIOR		Interior Escutcheon –		
	M502.xxx.KC	Cut for Cylinder (KC), Double Cylinder	Each	\$295
	M502.xxx.KE**	Cut for Emergency Release (KE)	Each	\$295
	M502.xxx.KN	Cut for Knob (KN), Passage/Dummy	Each	\$295
	M502.xxx.KT	Interior Escutcheon w/ Turn Knob (KT)	Each	\$348



Trim width: 3"
Trim thickness: .53" – H1

MORTISE LOCKS

Lever Sets

	M502.xxx.RENT (LENT)	M502.xxx.RDBL (LDBL)	M502.xxx.RFD (LFD)
Exterior Trim	M502.xxx	M502.xxx	M502.xxx.DM
Interior Escutcheon	M502.xxx.KT	M502.xxx.KC	M502.xxx.KN
Knob/Lever	5452V.xxx.LMR (RMR)	5452V.xxx.LMR (RMR)	5452V.xxx.LMR (RMR)
Spindle	0530.004 (2.375" Half)	0530 (2.375" Half)	5077.004 (1.5" Dummy)
Cylinder	8325.xxx (1.75" door)	8324.xxx.DBL	6761 (Dummy)
Mortise Lock	• (Lever Strength)	•	
Blocking Ring		•	



Knob Sets

	M502.xxx.ENTR	M502.xxx.DBLC	M502.xxx.FD
Exterior Trim	M502.xxx	M502.xxx	M502.xxx.DM
Interior Escutcheon	M502.xxx.KT	M502.xxx.KC	M502.xxx.KN
Knob/Lever	5024.xxx.IMR	5024.xxx.IMR	5024.xxx.IMR
Spindle	0530.004 (2.375" Half)	0530.004 (2.375" Half)	0511.004 (1.5" Dummy)
Cylinder	8325 (1.75" door)	(Double)	5099.004 (x2)
Mortise Lock	• (Lever Strength)	•	
Blocking Ring		•	

Must order separately shown in grey

** (All .KE hardware include 6701 ER cover)

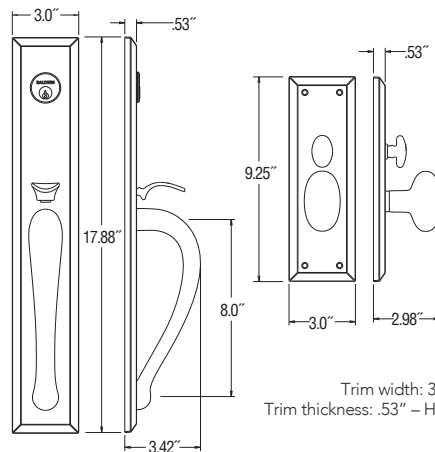
SEE BACK COVER FLAP for easy-ordering charts and requirements for doors thicker than 1.75"



Finish: 003, 031, 033, 044, 050, 055, 056, 060, 076, 102, 112, 190, 260, 402



	Item #	Description		Price
SET	M504.xxx.ENTR	Entrance Trim – Knob	Set	\$990
	M504.xxx.RENT (LENT)	Entrance Trim – Lever	Set	\$990
	M504.xxx.FD	Full Dummy – Knob	Set	\$990
	M504.xxx.RFD (LFD)	Full Dummy – Lever	Set	\$990
EXT	M504.xxx	Active Exterior Trim	Each	\$560
	M504.xxx.DM	Dummy Exterior Trim	Each	\$560
INTERIOR		Interior Escutcheon –		
	M502.xxx.KC	Cut for Cylinder (KC), Double Cylinder	Each	\$295
	M502.xxx.KE**	Cut for Emergency Release (KE)	Each	\$295
	M502.xxx.KN	Cut for Knob (KN), Passage/Dummy	Each	\$295
	M502.xxx.KT	Interior Escutcheon w/ Turn Knob (KT)	Each	\$348



Lever Sets

	M504.xxx.RENT (LENT)	M504.xxx.RDBL (LDBL)	M504.xxx.RFD (LFD)
Exterior Trim	M504.xxx	M504.xxx	M504.xxx.DM
Interior Escutcheon	M502.xxx.KT	M502.xxx.KC	M502.xxx.KN
Knob/Lever	5452V.xxx.LMR (RMR)	5452V.xxx.LMR (RMR)	5452V.xxx.LMR (RMR)
Spindle	0530.004 (2.375" Half)	0530.004 (2.375" Half)	5077.004 (1.5" Dummy)
Cylinder	8325 (1.75" door)	8324.000.DBL	6761 (Dummy)
Mortise Lock	•	•	
Blocking Ring		• 8440.xxx.001	



Knob Sets

	M504.xxx.ENTR	M504.xxx.DBLC	M504.xxx.FD
Exterior Trim	M504.xxx	M504.xxx	M504.xxx.DM
Interior Escutcheon	M502.xxx.KT	M502.xxx.KC	M502.xxx.KN
Knob/Lever	5024.xxx.IMR	5024.xxx.IMR	5024.xxx.IMR
Spindle	0530.004 (2.375" Half)	0530.004 (2.25" Half)	5077.004 (1.5" Dummy)
Cylinder	8325 (1.75" door)	8324.000.DBL	6761 (Dummy)
Mortise Lock	•	•	
Blocking Ring		•	

MORTISE LOCKS

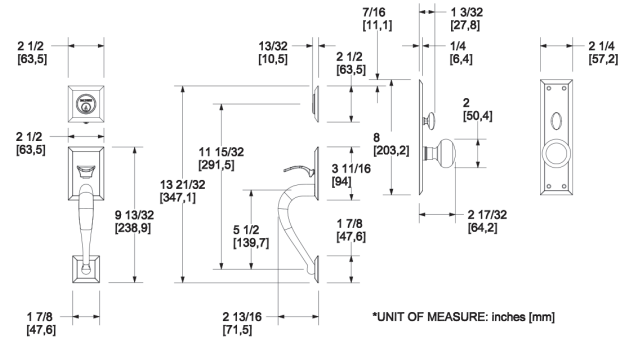
*QUICK SHIP is available in functions and finishes shown in red.

Finish: 003, 031, 033, 044, 050, 055, 056, 060, 076, 102, 112, 190, 260



	Item #	Description		Price
SET	6571.xxx.ENTR	Entrance Trim	Set	\$760
	6571.xxx.DBLC	Double Cylinder	Set	\$760
	6571.xxx.FD	Full Dummy	Set	\$760
	6571.xxx.ENFD†	1 Active Entrance Set + 1 Full Dummy Set	2 Sets	\$1,520
EXT	6604.xxx	Active Exterior Trim only	Each	\$330
	6604.xxx.DM	Dummy Exterior only	Each	\$330
INTERIOR		Interior Escutcheon –		
	6794.xxx.KC	Cut for Cylinder (KC), Double Cylinder	Each	\$295
	6794.xxx.KE	Cut for Emergency Release (KE)	Each	\$295
	6794.xxx.KN	Cut for Knob (KN), Passage/Dummy	Each	\$295
	6794.xxx.KT	Interior Escutcheon w/ Turn Knob (KT)	Each	\$348

†.ENFD only available in 050 & 112, to ensure a finish match on all components.



Trim width: 2.5"
Trim thickness: .25" – E

Sets

	6571.xxx.ENTR	6571.xxx.DBLC	6571.xxx.FD
Exterior Trim	6604.xxx	6604.xxx	6604.xxx.DM
Interior Escutcheon	6794.xxx.KT	6794.xxx.KC	6794.xxx.KN
Knob/Lever	5000.xxx.IMR	5000.xxx.IMR	5000.xxx.IMR
Spindle	0530.004 (2.375" Half)	0530.004 (2.375" Half)	5092.004 (1.125" Dummy)
Cylinder	8323 (1.75" door)	• 8322.xxx.DBL	6761 (Dummy)
Mortise Lock	•	•	
Blocking Ring		• 8440.xxx.001	



A La Carte

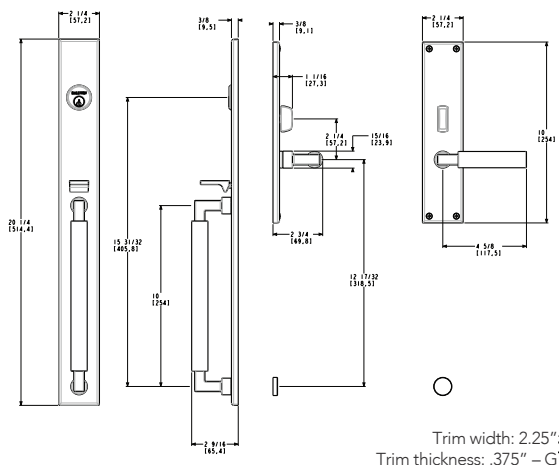
	Entrance	Entrance	Double Cylinder	Privacy	Passage
Exterior Trim	6604.xxx	6794.xxx.KC	6794.xxx.KC	6794.xxx.KE**	
Interior Escutcheon	6794.xxx.KT	6794.xxx.KT	6794.xxx.KC	6794.xxx.KT	6794.xxx.KN (x2)
Knob/Lever	5106.xxx.RMR	5000.xxx.MR	5000.xxx.MR	5000.xxx.MR	5000.xxx.MR
Spindle	0530.004 (2.375" Half)	0522.004 (4" spindle)	0522.004 (4" spindle)	0522.004 (4" spindle)	•
Cylinder	•		• 8322.xxx.DBL		
Mortise Lock	• (Lever Strength)	•	•	• Tubular Latch & Mortise Bolt / or Mortise Lock	• Tubular Latch / or Mortise Lock
Blocking Ring			•		
Turn Knob					

Must order separately shown in grey

** (All .KE hardware include 6701 ER cover)



Item #	Description	Wt.	003, 031, 033, 044 050, 055, 056, 060 076, 102, 112, 190, 260, 402	M01, M02, M03, M04, M05, M06, M07, M08, M09, M10
SET	6971.xxx.RENT (LENT) Entrance Trim - Gramercy	Set	\$1,371	\$1,508
	6971.xxx.RDBL (LDBL) Double Cylinder	Set	\$1,371	\$1,508
	6971.xxx.RFD (LFD) Full Dummy	Set	\$1,371	\$1,508
EXT	6971.xxx	Set	\$880	\$968
	6971.xxx.DM	Set	\$880	\$968
INTERIOR	Interior Escutchen -			
	6513.xxx.KC	Each	\$295	
	6513.xxx.KE**	Each	\$295	
	6513.xxx.KN	Each	\$295	
	6514.xxx.KT	Each	\$348	
	6513.xxx.KP	Each	\$590	



Sets	6971.xxx.RENT (LENT)	6971.xxx.RDBL (LDBL)	6971.xxx.RFD (LFD)
Exterior Trim	6971.xxx	6971.xxx	6971.xxx
Interior Escutcheon	6514.xxx.KT	6513.xxx.KC	6513.xxx.KN
Knob/Lever	L029.xxx.LMR (RMR)	L029.xxx.LMR (RMR)	L029.xxx.LMR (RMR)
Spindle	0530.004 (2.375" Half)	0530.004 (2.375" Half)	5092.004 (1.125" Dummy)
Cylinder	8323 (1.75" Door)	8323.xxx.DBL	6761 (Dummy)
Mortise Lock	*(Lever Strength)	*	
Blocking Ring		*8440.xxx.001	

Must order seperately shown in grey

****(All .KE hardware include 6701 ER cover)**
SEE BACK COVER FLAP for easy-ordering charts and requirements for doors thicker than 1.75"

***QUICK SHIP** is available in functions and finishes shown in red.

MORTISE LOCKS

Finish: 003, 031, 033, 044, 050, 055, 056, 060, 076, 102, 112, 190, 260, 402



Item #	Description		Price	
SET	6544.xxx.RENT (LENT)	Entrance Trim – Hamilton	Set	\$1,219
	6544.xxx.RDBL (LDBL)	Double Cylinder	Set	\$1,219
	6544.xxx.RFD (LFD)	Full Dummy	Set	\$1,219
	6544.xxx.ENFD†	1 Active Entrance Set + 1 Full Dummy Set	2 Sets	\$2,438
	6622.xxx.BB75	Entrance Back-to-Back – 1.75" door	Set	\$1,642
	6622.xxx.BB30	Entrance Back-to-Back – up to 3" door	Set	\$1,642
	6622.xxx.BBFD	Dummy Back-to-Back	Set	\$1,642
EXT	6622.xxx	Active Exterior Trim only	Each	\$880
	6622.xxx.DM	Dummy Exterior only	Each	\$880
INTERIOR		Interior Escutcheon –		
	6791.xxx.KC	Cut for Cylinder (KC), Double Cylinder	Each	\$295
	6791.xxx.KE**	Cut for Emergency Release (KE**)	Each	\$295
	6791.xxx.KN	Cut for Knob (KN), Passage/Dummy	Each	\$295
	6791.xxx.KT	Interior Escutcheons w/ Turn Knob (KT)	Each	\$348

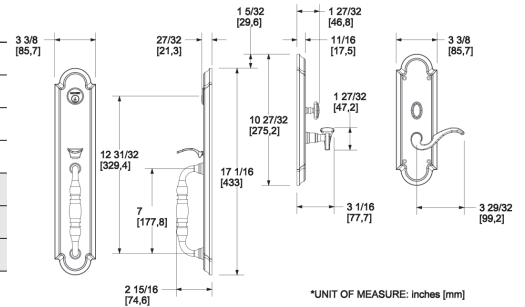
†.ENFD only available in 050 & 112, to ensure a finish match on all components.



Hamilton

Sets

	6544.xxx.RENT (LENT)	6544.xxx.RDBL (LDBL)	6544.xxx.RFD (LFD)	6622.xxx.BB75 (BB30, BBFD)
Exterior Trim	6622.xxx	6622.xxx	6622.xxx.DM	6622.xxx (x2)
Interior Escutcheon	6791.xxx.KT	6791.xxx.KC	6791.xxx.KN	
Knob/Lever	5152.xxx.RMR (LMR)	5152.xxx.RMR (LMR)	5152.xxx.RMR (LMR)	
Spindle	0531.004 (2.875" Half)	0531.004 (2.875" Half)	5077.004 (1.5" Dummy)	
Cylinder	8326 (1.75" door)	• 8326.xxx.DBL	6761 (Dummy)	• (Double)
Mortise Lock	• (Lever Strength)	•		•
Blocking Ring		• 8440.xxx.001		•



*UNIT OF MEASURE: inches [mm]
Trim width: 3.375"
Trim thickness: .75" – J

In an effort to simplify the mortise trim offering, some escutcheon trim sets will no longer be available pre-configured. However, these configurations are still available a la carte. See breakouts below by function.



A La Carte

	Entry	Double Cylinder	Full Dummy
Exterior Trim	6791.xxx.KC	6791.xxx.KC	
Interior Escutcheon	6791.xxx.KT	6791.xxx.KC	6791.xxx.KN (x2)
Knob/Lever	5152.xxx.MR (Pair)	5152.xxx.MR (Pair)	5152.xxx.MR (Pair)
Spindle	0524.004 (5.5" Swivel)	0524.004 (5.5" Swivel)	0514.004 (5.5" Straight)
Cylinder	•	• (Double)	5099.004 (x2)
Mortise Lock	• (Lever Strength)	• (Lever Strength)	
Blocking Ring		•	

A La Carte

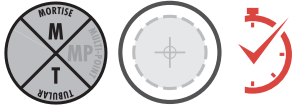
	Hamilton Entrance
Exterior Trim	6622.xxx
Interior Escutcheon	6791.xxx.KT
Knob/Lever	5064.xxx.IMR
Spindle	•
Cylinder	•
Mortise Lock	•
Blocking Ring	

REQUIRED

Must order separately shown in grey

** (All .KE hardware include 6701 ER cover)

SEE BACK COVER FLAP for easy-ordering charts and requirements for doors thicker than 1.75"

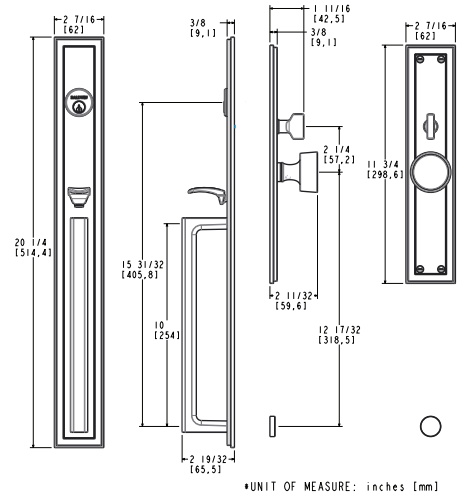


Finish: 003, 031, 033, 044, 050, 055, 056, 060, 076, 102, 112, 190, 260, 402



Item #	Description		Price
SET	6946.xxx.ENTR	Entrance Trim- Hollywood Hills Handleset	Set \$1,371
	6946.xxx.DBLC	Double Cylinder	Set \$1,371
	6946.xxx.FD	Full Dummy	Set \$1,371
	6946.xxx.ENFD†	1 Active Entrance Set + 1 Full Dummy Set	2 Sets \$2,742
EXT	6946.xxx	Active Exterior Trim	Each \$880
	6946.xxx.DM	Dummy Exterior Trim	Each \$880
INTERIOR	Exterior Escutcheons (OS), Interior Escutcheon (IS)		
	6535.xxx.KCIS (KCIS)	Cut for Cylinder (KC), Double Cylinder	Each \$364
	6535.xxx.KEOS (KEIS)**	Cut for Emergency Release (KE)	Each \$364
	6535.xxx.KNIS (KNIS)	Cut for Knob (KN), Passage/Dummy	Each \$364
	6535.xxx.KTIS (KTOS)	Interior Escutcheon w/ Turn Knob (KT)	Each \$424

†.ENFD only available in 050 & 112, to ensure a finish match on all components.



Trim width: 2.44"
Trim thickness: .375" – G

MORTISE LOCKS

Sets	6946.xxx.ENTR	6946.xxx.DBLC	6946.xxx.FD
Exterior Trim	6946.xxx	6946.xxx	6946.xxx.DM
Interior Escutcheon	6535.xxx.KTIS	6535.xxx.KCIS	6535.xxx.KNIS
Knob/Lever	K008.xxx.IMR	K008.xxx.IMR	K008.xxx.IMR
Spindle	0530.004 (2.375" Half)	0530.004 (2.375" Half)	5077.004 (1.5" Dummy)
Cylinder	8323 (1.75" doors)	• 8323.xxx.DBL	6761 (Dummy)
Mortise Lock	• (Knob Strength)	• (Knob Strength)	
Blocking Ring		• 8440.xxx.001	



A La Carte Entrance

REQUIRED	Entrance
Exterior Trim	6946.xxx
Interior Escutcheon	6535.xxx.KTIS
Knob/Lever	IMR / RMR / LMR
Spindle	•
Cylinder	•
Mortise Lock	•
Blocking Ring	

Must order separately shown in grey

** (All .KE hardware include 6701 ER cover)

SEE BACK COVER FLAP for easy-ordering charts and requirements for doors thicker than 1.75"

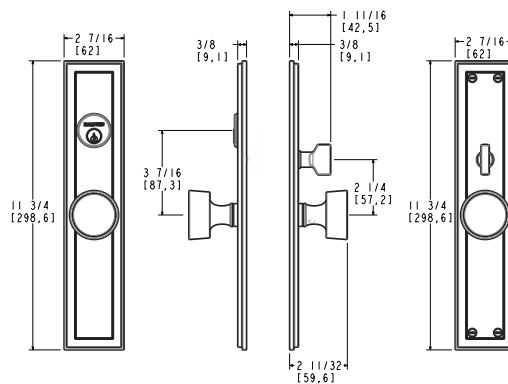


Finish: 003, 031, 033, 044, 050, 055, 056, 060, 076, 102, 112, 190, 260, 402



	Item #	Description		
SET	6945.xxx.ENTR	Entrance Trim – Hollywood Hills (Knob) Set	Set	\$860
	6945.xxx.DBLC	Double Cylinder	Set	\$860
	6945.xxx.FD	Full Dummy	Set	\$860
	6945.xxx.ENFD†	1 Active Entrance Set + 1 Full Dummy Set	2 Sets	\$1,720
EXT	6510.xxx.DM	Dummy Exterior Trim	Each	\$431
INTERIOR	Exterior Escutcheons (OS), Interior Escutcheon (IS)			
	6535.xxx.KCOS (KCIS)	Cut for Cylinder (KC), Double Cylinder	Each	\$364
	6535.xxx.KEOS (KEIS)**	Cut for Emergency Release (KE)	Each	\$364
	6535.xxx.KNOS (KNIS)	Cut for Knob (KN), Passage/Dummy	Each	\$364
	6535.xxx.KTIS	Interior Escutcheon w/ Turn Knob (KT)	Each	\$424

†.ENFD only available in 050 & 112, to ensure a finish match on all components.



*UNIT OF MEASURE: inches [mm]

Trim width: 2.44"
Trim thickness: .375" – G

Sets	6945.xxx.ENTR	6945.xxx.DBLC	6945.xxx.FD
Exterior Trim	6535.xxx.KCOS	6535.xxx.KCOS	6510.xxx.DM
Interior Escutcheon	6535.xxx.KTIS	6535.xxx.KCIS	6535.xxx.KNIS
Knob/Lever	K008.xxx.MR	K008.xxx.MR	K008.xxx.MR
Spindle	0522.004.ENTR	0522.004.DBLC	0511.004 // 5099.004 (x2)
Cylinder	8323 (1.75" door)	• 8323.xxx.DBL	
Mortise Lock	• (Knob Strength)	• (Knob Strength)	
Blocking Ring		• 8440.xxx.001	



A La Carte	Entrance	Privacy	Passage
Exterior Trim	6535.xxx.KCOS	6535.xxx.KEOS	6535.xxx.KNOS
Interior Escutcheon	6535.xxx.KTIS	6535.xxx.KTIS	6535.xxx.KNIS
Knob/Lever	Pair	Pair	Pair
Spindle	•	•	0511.004
Cylinder	•		
Mortise Lock	•	• Tubular Latch & Mortise Bolt / or Mortise Lock	• Tubular Latch / or Mortise Lock
Blocking Ring			

REQUIRED

Must order separately shown in grey

***(All .KE hardware include 6701 ER cover)*

SEE BACK COVER FLAP for easy-ordering charts and requirements for doors thicker than 1.75"

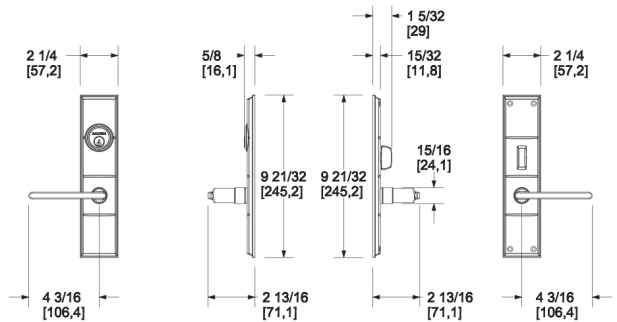
MORTISE LOCKS



Finish: 003, 031, 033, 044, 050, 055, 056, 060, 076, 102, 112, 190, 260, 402

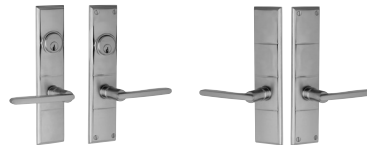
	Item #	Description		Price
SET	6973.xxx.ENTR	Entrance Trim	Set	\$760
	6973.xxx.DBLC	Double Cylinder	Set	\$760
	6973.xxx.FD	Full Dummy	Set	\$760
	6973.xxx.ENFD†	1 Active Entrance Set + 1 Full Dummy Set	2 Sets	\$1,520
EXT	6973.xxx.RDM (LDM)	Dummy Exterior only	Each	\$330
INTERIOR	Interior Escutcheon –			
	6506.xxx.KCOS (KCIS)	Cut for Cylinder (KC), Double Cylinder	Each	\$295
	6506.xxx.KEOS (KEIS)	Cut for Emergency Release (KE)	Each	\$295
	6506.xxx.KNOS (KNIS)	Cut for Knob (KN), Passage/Dummy	Each	\$295
	6506.xxx.KTOS (KTIS)	Interior Escutcheon w/ Turn Knob (KT)	Each	\$348
	6506.xxx.KP	Escutcheons Cut for Privacy (KP)	Pair	\$590

†.ENFD only available in 050 & 112, to ensure a finish match on all components.



*UNIT OF MEASURE: inches [mm]

Trim thickness: .435" – H



Sets	6973.xxx.ENTR	6973.xxx.DBLC	6973.xxx.FD
Exterior Trim	6506.xxx.KCOS	6506.xxx.KCOS	6506.xxx.KNOS
Interior Escutcheon	6506.xxx.KTIS	6506.xxx.KCIS	6506.xxx.KNIS
Knob/Lever	5164.xxx.MR (Pair)	5164.xxx.MR (Pair)	5164.xxx.MR (Pair)
Spindle	0522.004 (4" Swivel)	0522.004 (4" Swivel)	0511.004 (4" Solid)
Cylinder	8324 (1.75" door)	• 8323.xxx.DBL	5099.004 (x2)
Mortise Lock	• (Lever Strength)	• (Lever Strength)	
Blocking Ring		•	



A La Carte	Entrance	Privacy	Passage
Exterior Trim	6506.xxx.KCOS	6506.xxx.KEOS	6506.xxx.KNOS
Interior Escutcheon	6506.xxx.KTIS	6506.xxx.KTIS	6506.xxx.KNIS
Knob/Lever	Pair	Pair	Pair
Spindle	•	•	•
Cylinder	•		
Mortise Lock	•	• Tubular Latch & Mortise Bolt / or Mortise Lock	• Tubular Latch / or Mortise Lock
Blocking Ring			
Turn Knob			

REQUIRED

Must order separately shown in grey

** (All .KE hardware include 6701 ER cover)

SEE BACK COVER FLAP for easy-ordering charts and requirements for doors thicker than 1.75"

MORTISE LOCKS

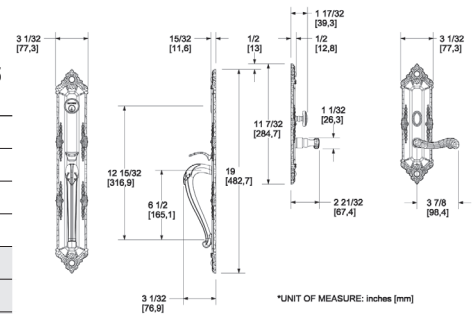


Finish: 003, 031, 033, 044, 050, 055, 056, 060, 076, 1t02, 112, 190, 260, 402



Item #	Description		Price
6950.xxx.RENT (LENT)	Entrance Trim – Kensington	Set	\$1,219
6950.xxx.RDBL (LDBL)	Double Cylinder	Set	\$1,219
6950.xxx.RFD (LFD)	Full Dummy	Set	\$1,219
6950.xxx.ENFD†	1 Active Entrance Set + 1 Full Dummy Set	2 Sets	\$2,438
6624.xxx.BB75	Entrance Back-to-Back – 1.75" door	Set	\$1,642
6624.xxx.BB30	Entrance Back-to-Back – up to 3" door	Set	\$1,642
6624.xxx.BBFD	Dummy Back-to-Back	Set	\$1,642
6624.xxx	Active Exterior Trim only	Each	\$880
6624.xxx.DM	Dummy Exterior only	Each	\$880
INTERIOR			
Interior Escutcheon –			
6790.xxx.KC	Cut for Cylinder (KC), Double Cylinder	Each	\$295
6790.xxx.KE**	Cut for Emergency Release (KE)	Each	\$295
6790.xxx.KN	Cut for Knob (KN), Passage/Dummy	Each	\$295
6790.xxx.KT	Interior Escutcheon w/ Turn Knob (KT)	Each	\$348
6790.xxx.KP	Escutcheons Cut for Privacy (KP)	Pair	\$590

†.ENFD only available in 050 & 112, to ensure a finish match on all components.



Sets	6950.xxx.RENT (LENT)	6950.xxx.RDBL (LDBL)	6950.xxx.RFD (LFD)	6624.xxx.BB75 (BB30, BBFD)
Exterior Trim	6624.xxx	6624.xxx	6624.xxx.DM	6624.xxx (x2)
Interior Escutcheon	6790.xxx.KT	6790.xxx.KC	6790.xxx.KN	
Knob/Lever	5108.xxx.LMR (RMR)	5108.xxx.LMR (RMR)	5108.xxx.LMR (RMR)	
Spindle	0530.004 (2.375" Half)	0530.004 (2.375" Half)	5092.004 (1.125" Dummy)	
Cylinder	8323 (1.75" door)	• 8322.xxx.DBL	6761 (Dummy)	• (Double)
Mortise Lock	• (Lever Strength)	• (Lever Strength)		•
Blocking Ring		•		•

In an effort to simplify the mortise trim offering, some escutcheon trim sets will no longer be available pre-configured. However, these configurations are still available a la carte. See breakouts below by function.

Formerly the Westminister Configuration



A La Carte	Entry	Double Cylinder	Full Dummy
Exterior Trim	6790.xxx.KC	6790.xxx.KC	
Interior Escutcheon	6790.xxx.KT	6790.xxx.KC	6790.xxx.KN (x2)
Knob/Lever	5108.xxx.MR (Pair)	5108.xxx.MR (Pair)	5108.xxx.MR (Pair)
Spindle	0522.004 (4" Swivel)	0522.004 (4" Swivel)	0511.004 (4" Straight)
Cylinder	•	• (Double)	5099.004 (x2)
Mortise Lock	• (Lever Strength)	• (Lever Strength)	
Blocking Ring		•	

A La Carte



REQUIRED	Kensington Entrance	6970 Privacy
Exterior Trim	6624.xxx	6790.xxx.KE**
Interior Escutcheon	6790.xxx.KT	6790.xxx.KT or .KP
Knob/Lever	Half Pair	Pair
Spindle	•	•
Cylinder	•	•
Mortise Lock	• (Lever Strength)	• Tubular Latch & Mortise Bolt / or Mortise Lock
Blocking Ring		
Turn Knob		

Must order separately shown in grey

** (All .KE hardware include 6701 ER cover)
SEE BACK COVER FLAP for easy-ordering charts and requirements for doors thicker than 1.75"

*QUICK SHIP is available in functions and finishes shown in red.

MORTISE LOCKS



Finish: 003, 031, 033, 044, 050, 055, 056, 060, 076, 102, 112, 190, 260, 402



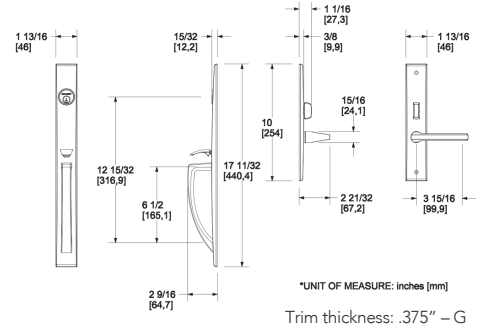
Item #	Description		Price
6966.xxx.RENT (LENT)	Entrance Trim – Lakeshore	Set	\$1,219
6966.xxx.RDBL (LDBL)	Double Cylinder	Set	\$1,219
6966.xxx.RFD (LFD)	Full Dummy	Set	\$1,219
6966.xxx.ENFD†	1 Active Entrance Set + 1 Full Dummy Set	2 Sets	\$2,438
6553.xxx.BB75	Entrance Back-to-Back – 1.75" door	Set	\$1,642
6553.xxx.BB30	Entrance Back-to-Back – up to 3" door	Set	\$1,642
6553.xxx.BBFD	Dummy Back-to-Back	Set	\$1,642
6553.xxx	Active Exterior Trim only	Each	\$880
6553.xxx.DM	Dummy Exterior only	Each	\$880
INTERIOR			
Interior Escutcheon –			
6502.xxx.KCOS (KCIS)	Cut for Cylinder (KC), Double Cylinder	Each	\$295
6502.xxx.KEOS (KEIS)	Cut for Emergency Release (KE)	Each	\$295
6502.xxx.KNOS (KNIS)	Cut for Knob (KN), Passage/Dummy	Each	\$295
6502.xxx.KTOS (KTIS)	Interior Escutcheon w/ Turn Knob (KT)	Each	\$348

†.ENFD only available in 050 & 112, to ensure a finish match on all components.



Sets

	6966.xxx.RENT (LENT)	6950.xxx.RDBL (LDBL)	6950.xxx.RFD (LFD)	6624.xxx.BB75 (BB30, BBFD)
Exterior Trim	6553.xxx	6553.xxx	6553.xxx.DM	6553.xxx (x2)
Interior Escutcheon	6502.xxx.KTIS	6502.xxx.KTIS	6502.xxx.KNIS	
Knob/Lever	5162.xxx.LMR (RMR)	5162.xxx.LMR (RMR)	5162.xxx.LMR (RMR)	
Spindle	0530.004 (2.375" Half)	0530.004 (2.375" Half)	5092.004 (1.125" Dummy)	
Cylinder	8323 (1.75" door)	• 8323.xxx.DBL	6761 (Dummy)	• (Double)
Mortise Lock	• (Lever Strength)	• (Lever Strength)		•
Blocking Ring		• 8440.xxx.001		•



MORTISE LOCKS

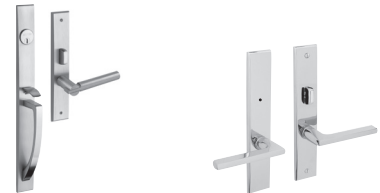
In an effort to simplify the mortise trim offering, some escutcheon trim sets will no longer be available pre-configured. However, these configurations are still available a la carte. See breakouts below by function.

A La Carte



	Entry	Double Cylinder	Full Dummy
Exterior Trim	6502.xxx.KCOS	6502.xxx.KCOS	6502.xxx.KNOS
Interior Escutcheon	6502.xxx.KTIS	6502.xxx.KCIS	6502.xxx.KNIS
Knob/Lever	5162.xxx.MR (Pair)	5162.xxx.MR (Pair)	5162.xxx.MR (Pair)
Spindle	0522.004 (4" Swivel)	0522.004 (4" Swivel)	0511.004 (4" Straight)
Cylinder	•	• (Double)	
Mortise Lock	• (Lever Strength)	• (Lever Strength)	
Blocking Ring		•	

A La Carte



	Entrance	Privacy
Exterior Trim	6553.xxx	6502.xxx.KEOS**
Interior Escutcheon	6502.xxx.KTIS	6502.xxx.KTIS
Knob/Lever	Half Pair	Pair
Spindle	•	•
Cylinder	•	
Mortise Lock	•	• Tubular Latch & Mortise Bolt / or Mortise Lock
Blocking Ring		
Turn Knob		

Must order separately shown in grey

** (All .KE hardware include 6701 ER cover)

SEE BACK COVER FLAP for easy-ordering charts and requirements for doors thicker than 1.75"

*QUICK SHIP is available in functions and finishes shown in red.

Finish 003, 031, 033, 044, 050, 055, 056, 060, 076, 102, 112, 190, 260, 402



	Item #	Description		Price
SET	6560.xxx.ENTR	Entrance Trim – Lexington	Set	\$760
	6560.xxx.DBLC	Double Cylinder	Set	\$760
	6560.xxx.FD	Full Dummy	Set	\$760
	6560.xxx.ENFD†	1 Active Entrance Set + 1 Full Dummy Set	2 Sets	\$1,520
	6621.xxx.BB75	Entrance Back-to-Back – 1.75" door	Set	\$1,568
	6621.xxx.BB30	Entrance Back-to-Back – up to 3" door	Set	\$1,568
EXT	6621.xxx.BBFD	Dummy Back-to-Back	Set	\$1,568
	6621.xxx	Active Exterior Trim only	Each	\$560
INTERIOR	6621.xxx.DM	Dummy Exterior only	Each	\$560
		Interior Escutcheon –		
	6795.xxx.KC	Cut for Cylinder (KC), Double Cylinder	Each	\$295
	6795.xxx.KE**	Cut for Emergency Release (KE)	Each	\$295
	6795.xxx.KN	Cut for Knob (KN), Passage/Dummy	Each	\$295
6795.xxx.KT	Interior Escutcheon w/ Turn Knob (KT)	Each	\$348	

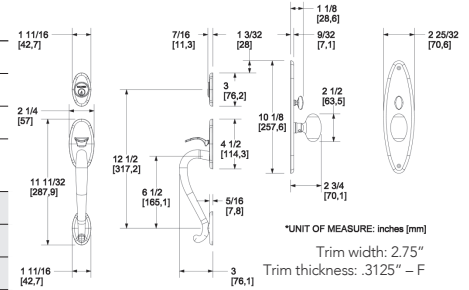
†.ENFD only available in 050 & 112, to ensure a finish match on all components.



Lexington

Sets

	6560.xxx.ENTR	6560.xxx.DBLC	6560.xxx.FD	6621.xxx.BB75 (BB30, BBFD)
Exterior Trim	6621.xxx	6621.xxx	6621.xxx.DM	6621.xxx (x2)
Interior Escutcheon	6795.xxx.KT	6795.xxx.KC	6795.xxx.KN	
Knob/Lever	5025.xxx.IMR	5025.xxx.IMR	5025.xxx.IMR	
Spindle	0530.004 (2.375" Half)	0530.004 (2.375" Half)	5092.004 (1.125" Dummy)	
Cylinder	8323 (1.75" door)	• 8322.xxx.DBL	6761 (Dummy)	• (Double)
Mortise Lock	•	•		•
Blocking Ring		•		•



In an effort to simplify the mortise trim offering, some escutcheon trim sets will no longer be available pre-configured. However, these configurations are still available a la carte. See breakouts below by function.

Formerly the Wilmington Configuration



A La Carte

	Entry	Double Cylinder	Full Dummy
Exterior Trim	6795.xxx.KC	6795.xxx.KC	
Interior Escutcheon	6795.xxx.KT	6795.xxx.KC	6795.xxx.KN (x2)
Knob/Lever	5025.xxx.MR (Pair)	5025.xxx.MR (Pair)	5025.xxx.MR (Pair)
Spindle	0522.004 (4" Swivel)	0522.004 (4" Swivel)	0511.004 (4" Straight)
Cylinder	•	• (Double)	
Mortise Lock	•	•	
Blocking Ring		•	

REQUIRED

A La Carte

	Lexington Entrance	6795 Privacy
Exterior Trim	6621.xxx	6795.xxx.KE**
Interior Escutcheon	6795.xxx.KT	6795.xxx.KT
Knob/Lever	Half Pair	Pair
Spindle	•	•
Cylinder	•	
Mortise Lock	• (Lever Strength)	• Tubular Latch & Mortise Bolt / or Mortise Lock
Blocking Ring		
Turn Knob		

REQUIRED

Must order separately shown in grey

** (All .KE hardware include 6701 ER cover)

*QUICK SHIP is available in functions and finishes shown in red.

ENTRANCE TRIM, MORTISE | MINNEAPOLIS 16" HANDLESET

Finish: 003, 031, 033, 044, 050, 055, 056, 060, 076, 102, 112, 190, 260, 402



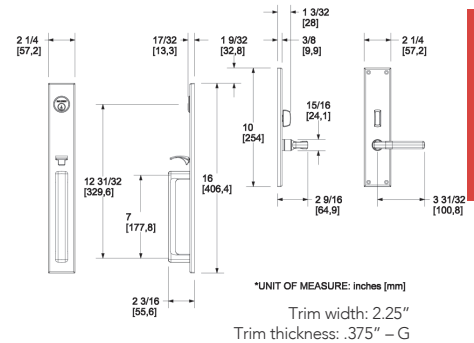
Item #	Description		Price
SET	6976.xxx.RENT (LENT) Entrance Trim	Set	\$990
	6976.xxx.RDBL (LDBL) Double Cylinder	Set	\$990
	6976.xxx.RFD (LFD) Full Dummy	Set	\$990
	6976.xxx.ENFD [†] 1 Active Entrance Set + 1 Full Dummy Set	2 Sets	\$1,980
	6620.xxx.BB75 Entrance Back-to-Back – 1.75" door	Set	\$1,568
	6620.xxx.BB30 Entrance Back-to-Back – up to 3" door	Set	\$1,568
	6620.xxx.BBFD Dummy Back-to-Back	Set	\$1,568
EXT	6620.xxx Active Exterior Trim	Each	\$560
	6620.xxx.DM Dummy Exterior Trim	Each	\$560
INTERIOR	Interior Escutcheon –		
	6513.xxx.KC Cut for Cylinder (KC), Double Cylinder	Each	\$295
	6513.xxx.KE** Cut for Emergency Release (KE)	Each	\$295
	6513.xxx.KN Cut for Knob (KN), Passage/Dummy	Each	\$295
	6514.xxx.KT Interior Escutcheon w/ Turn Knob (KT)	Each	\$348
	6513.xxx.KP Escutcheons cut for Privacy (KP)	Pair	\$590
	6514.xxx.TK010 Escutcheon W/ ADA TK010 Turn Knob	Each	\$348

†.ENFD only available in 050 & 112, to ensure a finish match on all components.



Sets

	6976.xxx.RENT (LENT)	6976.xxx.RDBL (LDBL)	6976.xxx.RFD (LFD)	6620.xxx.BB75 (BB30, BBFD)
Exterior Trim	6620.xxx	6620.xxx	6620.xxx.DM	6620.xxx (x2)
Interior Escutcheon	6514.xxx.KT	6513.xxx.KC	6513.xxx.KN	
Knob/Lever	5162.xxx.LMR (RMR)	5162.xxx.LMR (RMR)	5162.xxx.LMR (RMR)	
Spindle	0530.004 (2.375" Half)	0530.004 (2.375" Half)	5092.004 (1.125" Dummy)	
Cylinder	8323 (1.75" door)	8323.xxx.DBL	6761 (Dummy)	• 8323.xxx.DBL
Mortise Lock	• (Lever Strength)	•		•
Blocking Ring		• 8440.xxx.001		•



MORTISE LOCKS

A La Carte

REQUIRED

	Entrance	Entrance	Double Cylinder	Privacy	Privacy- ADA Compliant	Passage
Exterior Trim	6620.xxx	6513.xxx.KC	6513.xxx.KC	6513.xxx.KE**		
Interior Escutcheon	6514.xxx.KT	6514.xxx.KT	6513.xxx.KC	6514.xxx.KT	6514.xxx.	6513.xxx.KN (x2)
Knob/Lever	5055.xxx.IMR	Pair	Pair	Pair		Pair
Spindle	•	•	•	•		•
Cylinder	•	•	• (Double)			
Mortise Lock	•	• (Lever Strength)	• (Lever Strength)	• Tubular Latch & Mortise Bolt / or Mortise Lock	• Tubular Latch & Mortise Bolt or Mortise Lock	• Tubular Latch / or Mortise Lock
Blocking Ring			•			
Turn Knob						

Must order separately shown in grey

** (All .KE hardware include 6701 ER cover)

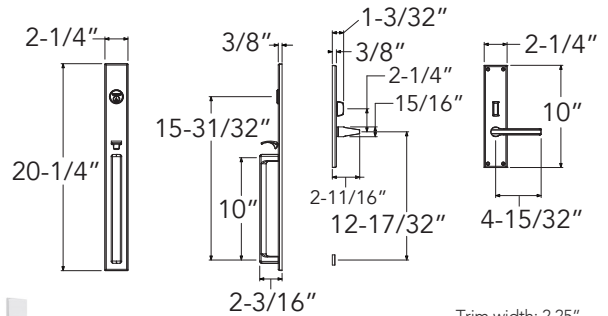
*QUICK SHIP is available in functions and finishes shown in red.

SEE BACK COVER FLAP for easy-ordering charts and requirements for doors thicker than 1.75"



Finish: 003, 031, 033, **044, 050, 055, 056, 060, 076, 102, 112, 190, 260, 402**

	Item #	Description		Price
SET	6977.xxx.RENT (LENT)	Entrance Trim - Minneapolis 20"	Set	\$1,371
	6977.xxx.RDBL (LDBL)	Double Cylinder	Set	\$1,371
	6977.xxx.RFD (LFD)	Full Dummy	Set	\$1,371
EXT	6977.xxx	Active Exterior Trim	Each	\$880
	6977.xxx.DM	Dummy Exterior Trim	Each	\$880
INTERIOR		Interior Escutcheon -		
	6513.xxx.KC	Cut for Cylinder (KC), Double Cylinder	Each	\$295
	6513.xxx.KE**	Cut for Emergency Release (KE)	Each	\$295
	6513.xxx.KN	Cut for Knob (KN), Passage/Dummy	Each	\$295
	6514.xxx.KT	Interior Escutcheon w/ Turn Knob (KT)	Each	\$348
	6513.xxx.KP	Escutcheons cut for Privacy (KP)	Pair	\$590
	6514.xxx.TK01	Escutcheon W/ ADA TK010 Turn Knob	Each	\$348



Trim width: 2.25"
Trim thickness: .375" - G



Sets

	6977.xxx.RENT (LENT)	6977.xxx.RDBL (LDBL)	6977.xxx.RFD (LFD)
Exterior Trim	6977.xxx	6977.xxx	6977.xxx.DM
Interior Escutcheon	6514.xxx.KT	6513.xxx.KC	6513.xxx.KN
Knob/Lever	5162.xxx.LMR (RMR)	5162.xxx.LMR (RMR)	5162.xxx.LMR (RMR)
Spindle	0530.004 (2.375" Half)	0530.004 (2.375" Half)	5092.004 (1.125" Dummy)
Cylinder	8323 (1.75" door)	8323 (1.75" door)	6761 (Dummy)
Mortise Lock	• (Lever Strength)	•	
Blocking Ring		• 8323.xxx.DBL	

A La Carte



	Entrance	Entrance	Double Cylinder	Privacy	Passage
Exterior Trim	6977.xxx	6513.xxx.KC	6513.xxx.KC	6513.xxx.KE**	
Interior Escutcheon	6514.xxx.KT	6514.xxx.KT	6513.xxx.KC	6514.xxx.KT	6513.xxx.KN (x2)
Knob/Lever	5055.xxx.IMR	Pair	Pair	Pair	Pair
Spindle	•	•	•	•	•
Cylinder	•	•	• (Double)		
Mortise Lock	•	• (Lever Strength)	• (Lever Strength)	• Tubular Latch & Mortise Bolt / or Mortise Lock	• Tubular Latch / or Mortise Lock
Blocking Ring			•		
Turn Knob					

REQUIRED

Must order separately shown in grey

** (All .KE hardware include 6701 ER cover)
SEE BACK COVER FLAP for easy-ordering charts and requirements for doors thicker than 1.75"

*QUICK SHIP is available in functions and finishes shown in red.

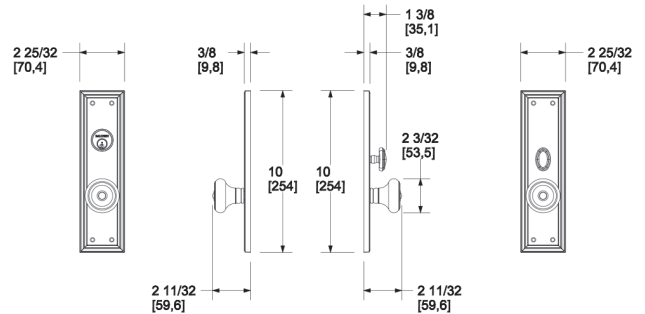


Finish: 003, 031, 033, 044, 050, 055, 056, 060, 076, 102, 112, 190, 260, 402



	Item #	Description		Price
SET	6547.xxx.ENTR	Entrance Trim	Set	\$760
	6547.xxx.DBLC	Double Cylinder	Set	\$760
	6547.xxx.FD	Full Dummy	Set	\$760
	6547.xxx.ENFD†	1 Active Entrance Set + 1 Full Dummy Set	2 Sets	\$1,520
EXT	6547.xxx.DM	Dummy Exterior only	Each	\$330
INTERIOR		Interior Escutcheon –		
	6793.xxx.KC	Cut for Cylinder (KC), Double Cylinder	Each	\$295
	6793.xxx.KE**	Cut for Emergency Release (KE)	Each	\$295
	6793.xxx.KN	Cut for Knob (KN), Passage/Dummy	Each	\$295
	6793.xxx.KT	Interior Escutcheon w/ Turn Knob (KT)	Each	\$348
	6793.xxx.KP	Escutcheons Cut for Privacy (KP)	Pair	\$590

†.ENFD only available in 050 & 112, to ensure a finish match on all components.



*UNIT OF MEASURE: inches [mm]

Trim thickness: .25" – E



Sets

	6547.xxx.ENTR	6547.xxx.DBLC	6547.xxx.FD
Exterior Trim	6793.xxx.KC	6793.xxx.KC	
Interior Escutcheon	6793.xxx.KT	6793.xxx.KC	6793.xxx.KN (x2)
Knob/Lever	5020.xxx.MR (Pair)	5020.xxx.MR (Pair)	5020.xxx.MR (Pair)
Spindle	0522.004 (4" Swivel)	0522.004 (4" Swivel)	0511.004 (4" Straight)
Cylinder	8323 (1.75" door)	8322.xxx.DBL	5099.004 (x2)
Mortise Lock	•	•	
Blocking Ring		• 8440.xxx.001	

A La Carte



REQUIRED

	Entrance	Privacy	Passage
Exterior Trim	6793.xxx.KC	6793.xxx.KE**	
Interior Escutcheon	6793.xxx.KT	6793.xxx.KT or .KP	6793.xxx.KN (x2)
Knob/Lever	Pair	Pair	Pair
Spindle	•	•	•
Cylinder	•		
Mortise Lock	•	• Tubular Latch & Mortise Bolt / or Mortise Lock	• Tubular Latch / or Mortise Lock
Blocking Ring			
Turn Knob			

Must order separately shown in grey

** (All .KE hardware include 6701 ER cover)

SEE BACK COVER FLAP for easy-ordering charts and requirements for doors thicker than 1.75"

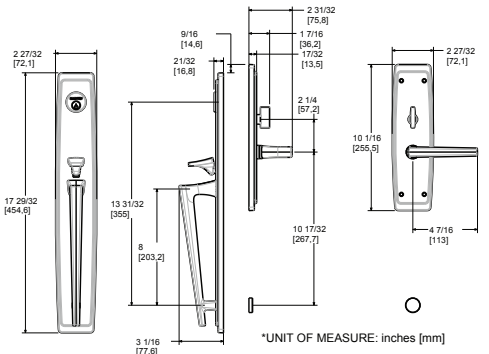
MORTISE LOCKS



Finish: 003, 031, 033, 044, 050, 055, 056, 060, 076, 102, 112, 190, 260, 402

	Item #	Description		Price
SET	6921.xxx.RENT (LENT)	Entrance Trim	Set	\$990
	6921.xxx.RDBL (LDBL)	Double Cylinder	Set	\$990
	6921.xxx.RFD (LFD)	Full Dummy	Set	\$990
	6921.xxx.ENFD†	1 Active Entrance Set + 1 Full Dummy Set	2 Sets	\$1,980
EXT	6616.xxx	Active Exterior Trim	Each	\$560
	6616.xxx.DM	Dummy Exterior Trim	Each	\$560
INTERIOR		Interior Escutcheon –		
	6715.xxx.KC	Cut for Cylinder (KC), Double Cylinder	Each	\$295
	6715.xxx.KE**	Cut for Emergency Release (KE)	Each	\$295
	6715.xxx.KN	Cut for Knob (KN), Passage/Dummy	Each	\$295
	6715.xxx.KT	Interior Escutcheon w/ Turn Knob (KT)	Each	\$348

†.ENFD only available in 050 & 112, to ensure a finish match on all components.



Trim width: 2.84"
Trim thickness: .53" – H1

Sets	6921.xxx.RENT (LENT)	6921.xxx.RDBL (LDBL)	6921.xxx.RFD (LFD)
Exterior Trim	6616.xxx	6616.xxx	6616.xxx.DM
Interior Escutcheon	6715.xxx.KT	6715.xxx.KC	6715.xxx.KN
Knob/Lever	L024.xxx.LMR (RMR)	L024.xxx.LMR (RMR)	L024.xxx.LMR (RMR)
Spindle	0530.004 (2.375" Half)	0530.004 (2.375" Half)	5077.004 (1.5" Dummy)
Cylinder	8323 (1.75" door)	• 8324.xxx.DBL	6761 (Dummy)
Mortise Lock	•	•	
Blocking Ring		•	



A La Carte	Entrance	Entrance	Double Cylinder	Privacy	Passage
Exterior Trim	6616.xxx	6715.xxx.KC	6715.xxx.KC	6715.xxx.KE	
Interior Escutcheon	6715.xxx.KT	6715.xxx.KT	6715.xxx.KC	6715.xxx.KT	6715.xxx.KN (x2)
Knob/Lever	Half Pair	Pair	Pair	Pair	Pair
Spindle	•	•	•	•	•
Cylinder	•	•	• (Double)		
Mortise Lock	• (Lever Strength)	•	•	• Tubular Latch & Mortise Bolt / or Mortise Lock	• Tubular Latch / or Mortise Lock
Blocking Ring			•		
Turn Knob					

Must order separately shown in grey

** (All .KE hardware include 6701 ER cover)

SEE BACK COVER FLAP for easy-ordering charts and requirements for doors thicker than 1.75"

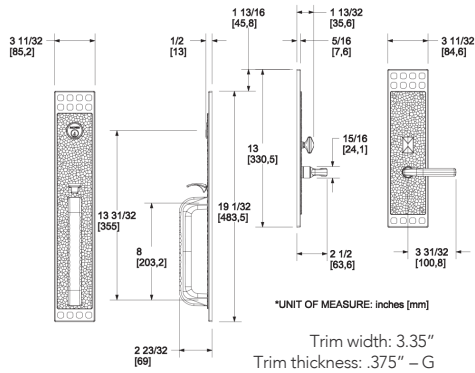


Finish: 003, 031, 033, 044, 050, 055, 056, 060, 076, 102, 112, 190, 260, 402



Item #	Description		Price
SET	6944.xxx.RENT (LENT)	Entrance Trim	Set \$1,219
	6944.xxx.RDBL (LDBL)	Double Cylinder	Set \$1,219
	6944.xxx.RFD (LFD)	Full Dummy	Set \$1,219
	6944.xxx.ENFD†	1 Active Entrance Set + 1 Full Dummy Set	2 Sets \$2,318
	6641.xxx.BB75	Entrance Back-to-Back – 1.75" door	Set \$1,642
6641.xxx.BB30	Entrance Back-to-Back – 3" door	Set \$1,642	
6641.xxx.BBFD	Dummy Back-to-Back	Set \$1,642	
EXT	6641.xxx	Active Exterior Trim	Each \$880
	6641.xxx.DM	Dummy Exterior Trim	Each \$880
INTERIOR		Interior Escutcheon –	
	6714.xxx.KC	Cut for Cylinder (KC), Double Cylinder	Each \$295
	6714.xxx.KE**	Cut for Emergency Release (KE)	Each \$295
	6714.xxx.KN	Cut for Knob (KN), Passage/Dummy	Each \$295
	6714.xxx.KT	Interior Escutcheon w/ Turn Knob (KT)	Each \$348

†.ENFD only available in 050 & 112, to ensure a finish match on all components.



MORTISE LOCKS

Sets	6944.xxx.RENT (LENT)	6944.xxx.RDBL (LDBL)	6944.xxx.RFD (LFD)	6944.xxx.BB75 (BBFD)
Exterior Trim	6641.xxx	6641.xxx	6641.xxx.DM	6641.xxx (x2)
Interior Escutcheon	6714.xxx.KT	6714.xxx.KC	6714.xxx.KN	
Knob/Lever	5190.xxx.LMR (RMR)	5190.xxx.LMR (RMR)	5190.xxx.LMR (RMR)	
Spindle	0530.004 (2.375" Half)	0530.004 (2.375" Half)	5092.004 (1.125" Dummy)	
Cylinder	8323 (1.75" door)	• 8323.xxx.DBL	6761 (Dummy)	• 8323.xxx.DBL
Mortise Lock	•	•		•
Blocking Ring		• 8440.xxx.001		•



A La Carte	Entrance	Entrance	Double Cylinder	Privacy	Passage
Exterior Trim	6641.xxx	6714.xxx.KC	6714.xxx.KC	6714.xxx.KE**	
Interior Escutcheon	6714.xxx.KT	6714.xxx.KT	6714.xxx.KC	6714.xxx.KT	6714.xxx.KN (x2)
Knob/Lever	Half Pair	Pair	Pair	Pair	Pair
Spindle	•	•	•	•	•
Cylinder	•	•	• (Double)		
Mortise Lock	• (Lever Strength)	•	•	• Tubular Latch & Mortise Bolt / or Mortise Lock	• Tubular Latch / or Mortise Lock
Blocking Ring			•	Other - ER Trim	
Turn Knob					

REQUIRED

Must order separately shown in grey

*QUICK SHIP is available in functions and finishes shown in red.

** (All .KE hardware include 6701 ER cover) SEE BACK COVER FLAP for easy-ordering charts and requirements for doors thicker than 1.75"

Finish: 003, 031, 033, 044, 050, 055, 056, 060, 076, 102, 112, 190, 260, 402



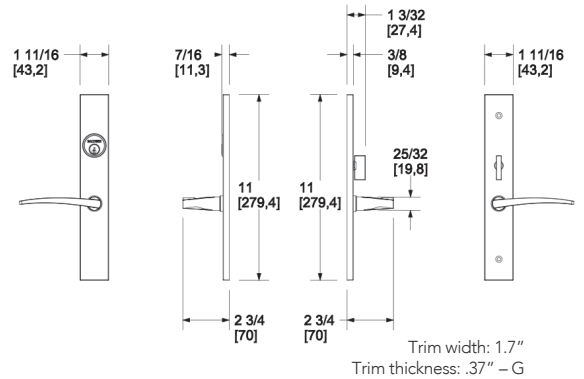
Item #	Description		Price
SET	6915.xxx.ENTR	Entrance Trim	Set \$760
	6915.xxx.DBLC	Double Cylinder	Set \$760
	6915..xxx.FD	Full Dummy	Set \$760
	6915.xxx.ENFD†	1 Active Entrance Set + 1 Full Dummy Set	2 Sets \$1,444
EXT	6915.xxx.LDM	Dummy Exterior Trim	Each \$330
	6915.xxx.RDM	Dummy Exterior Trim	Each \$330
	6530.xxx.KCOS	Exterior Trim Plate KC	Each \$295
	6530.xxx.KEOS	Exterior Trim Plate KE	Each \$295
INTERIOR	6530.xxx.KNOS	Exterior Trim Plate KN	Each \$295
	6530.xxx.KEIS	Interior Trim Plate KE	Each \$285
	6530.xxx.KNIS	Interior Trim Plate KN	Each \$285
	6530.xxx.KTIS	Interior Trim Plate KT	Each \$348

†.ENFD only available in 050 & 112, to ensure a finish match on all components.

MORTISE LOCKS



Sets	6915.xxx.ENTR	6915.xxx.DBLC	6915.xxx.FD
Exterior Trim	6530.xxx.KCOS	6530.xxx.KCOS	6530.xxx.KNOS
Interior Escutcheon	6530.xxx.KTIS	6530.xxx.KCIS	6530.xxx.KNIS
Knob/Lever	L022.xxx.MR	L022.xxx.MR	L022.xxx.MR
Spindle	0521.004 (4.5" Swivel)	0521.004 (4.5" Swivel)	5012.004 (x2)
Cylinder	8323 (1.75" door)	• 8323.xxx.DBLC	5099.004 (x2)
Mortise Lock	•	•	
Blocking Ring		• 8440.xxx.001	



	Entrance	Privacy	Passage
Exterior Trim	6530.xxx.KCOS	6530.xxx.KEOS**	6530.xxx.KNOS
Interior Escutcheon	6530.xxx.KTIS	6530.xxx.KTIS	6530.xxx.KNIS
Knob/Lever	Pair	Pair	Pair
Spindle	•	•	•
Cylinder	•		
Mortise Lock	• (Latch & Bolt or Lock)	• (Latch & Bolt or Lock)	• (Latch & Bolt or Lock)
Blocking Ring			
Turn Knob			

REQUIRED

Must order separately shown in grey

** (All .KE hardware include 6701 ER cover)

SEE BACK COVER FLAP for easy-ordering charts and requirements for doors thicker than 1.75"

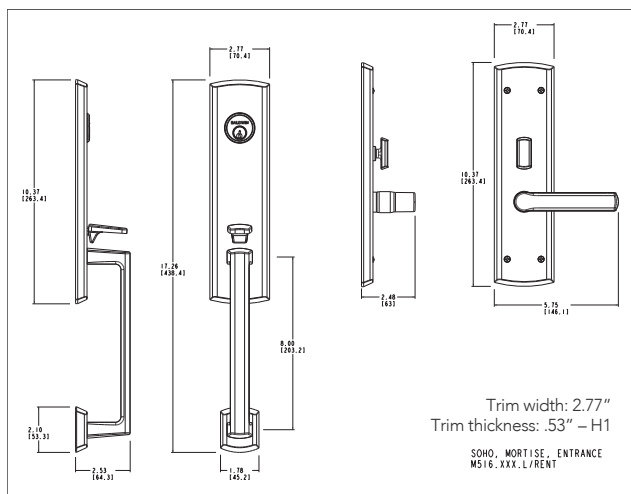
*QUICK SHIP is available in functions and finishes shown in red.



Finish:003, 031, 033, 044, 050, 055, 056, 060, 076, 102, 112, 190, 260, 402

Item #	Description		Price
SET	M516.xxx.RENT (LENT) Entrance Trim – Lever	Set	\$760
	M516.xxx.RFD (LFD) Full Dummy – Lever	Set	\$760
EXT	M516.xxx Active Exterior Trim	Each	\$330
	M516.xxx.DM Dummy Exterior Trim	Each	\$330
INTERIOR	Interior Escutcheon –		
	M516.xxx.KC Cut for Cylinder (KC), Double Cylinder	Each	\$295
	M516.xxx.KE** Cut for Emergency Release (KE)	Each	\$295
	M516.xxx.KN Cut for Knob (KN), Passage/Dummy	Each	\$295
M516.xxx.KT Interior Escutcheon w/ Turn Knob (KT)	Each	\$348	

†.ENFD only available in 050 & 112, to ensure a finish match on all components.



MORTISE LOCKS

Lever Sets	M516.xxx.RENT (LENT)	M516.xxx.RFD (LFD)
Exterior Trim	M516.xxx	M516.xxx.DM
Interior Escutcheon	M516.xxx.KT	M516.xxx.KN
Knob/Lever	5485V.xxx.LMR (RMR)	5485V.xxx.LMR (RMR)
Spindle	0530.004 (2.375" Half)	5092.004 (1.125" Dummy)
Cylinder	8325 (1.75" door)	6761 (Dummy)
Mortise Lock	•	
Blocking Ring		



A La Carte

	Entrance	Entrance	Double Cylinder	Privacy	Passage
Exterior Trim	M516.xxx	M516.xxx.KC	M516.xxx.KC	M516.xxx.KE**	
Interior Escutcheon	M516.xxx.KT	M516.xxx.KT	M516.xxx.KC	M516.xxx.KT	M516.xxx.KN (x2)
Knob/Lever	5485V.xxx.RMR (LMR) (Lever)	Pair	Pair	Pair	Pair
Spindle	•	•	•	•	•
Cylinder	•	•	• 8324.xxx.DBL		
Mortise Lock	•	•	•	• Tubular Latch & Mortise Bolt / or Mortise Lock	• Tubular Latch / or Mortise Lock
Blocking Ring			•		
Turn Knob	•				

SEE BACK COVER FLAP for easy-ordering charts and requirements for doors thicker than 1.75"



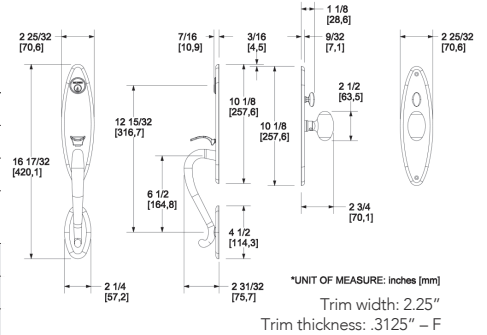
Finish: 003, 031, 044, 050, 055, 056, 060, 076, 102, 112, 190, 260, 402

	Item #	Description		Price
SET	6573.xxx.ENTR	Entrance Trim	Set	\$760
	6573.xxx.DBLC	Double Cylinder	Set	\$760
	6573.xxx.FD	Full Dummy	Set	\$760
	6573.xxx.ENFD†	1 Active Entrance Set + 1 Full Dummy Set	2 Sets	\$1,520
EXT	6628.xxx.BB75	Entrance Back-to-Back – 1.75" door	Set	\$1,568
	6628.xxx.BB30	Entrance Back-to-Back – up to 3" door	Set	\$1,568
INTERIOR	6628.xxx.BBFD	Dummy Back-to-Back	Set	\$1,568
	6628.xxx	Active Exterior Trim only	Each	\$560
	6628.xxx.DM	Dummy Exterior only	Each	\$560
		Interior Escutcheon –		
	6798.xxx.KC	Cut for Cylinder (KC), Double Cylinder	Each	\$295
	6798.xxx.KE**	Cut for Emergency Release (KE)	Each	\$295
	6798.xxx.KN	Cut for Knob (KN), Passage/Dummy	Each	\$295
	6798.xxx.KT	Interior Escutcheon w/ Turn Knob (KT)	Each	\$348
6798.xxx.KP	Escutcheons Cut for Privacy (KP)	Pair	\$590	

†.ENFD only available in 050 & 112, to ensure a finish match on all components.
 **All .KE hardware include 6701 ER cover.



Sets	6573.xxx.ENTR	6573.xxx.DBLC	6573.xxx.FD	6628.xxx.BB75 (BB30, BBFD)
Exterior Trim	6628.xxx	6628.xxx	6628.xxx.DM	6628.xxx (x2)
Interior Escutcheon	6798.xxx.KT	6798.xxx.KC	6798.xxx.KN	
Knob/Lever	5025.xxx.IMR	5025.xxx.IMR	5025.xxx.IMR	
Spindle	0530.004 (2.375" Half)	0530.004 (2.375" Half)	5092.004 (1.125" Dummy)	
Cylinder	8323 (1.75" Door)	• 8322.xxx.DBL	6761 (Dummy)	• (Double)
Mortise Lock	•	•		•
Blocking Ring		•		•



A La Carte	Entrance	Entrance	Double Cylinder	Privacy	Passage
Exterior Trim	6628.xxx	6798.xxx.KC	6798.xxx.KC	6798.xxx.KE**	
Interior Escutcheon	6798.xxx.KT	6798.xxx.KT	6798.xxx.KC	6798.xxx.KT or .KP	6798.xxx.KN (x2)
Knob/Lever	Half Pair	Pair	Pair	Pair	Pair
Spindle	•	•	•	•	•
Cylinder	•	•	• (Double)		
Mortise Lock	• (Lever Strength)	•	•	• Tubular Latch & Mortise Bolt / or Mortise Lock	• Tubular Latch / or Mortise Lock
Blocking Ring			•		
Turn Knob					

REQUIRED

Must order separately shown in grey

** (All .KE hardware include 6701 ER cover)
 SEE BACK COVER FLAP for easy-ordering charts and requirements for doors thicker than 1.75"

*QUICK SHIP is available in functions and finishes shown in red.



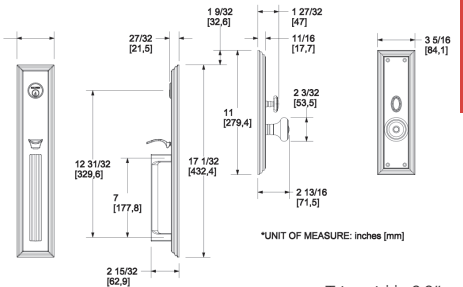
Finish: 003, 031, 033, 044, 050, 055, 056, 060, 076, 102, 112, 190, 260, 402

	Item #	Description	Wt.	Price
SET	6542.xxx.ENTR	Entrance Trim	Set 9.5	\$1,219
	6542.xxx.DBLC	Double Cylinder	Set	\$1,219
	6542.xxx.FD	Full Dummy	Set	\$1,219
	6542.xxx.ENFD†	1 Active Entrance Set + 1 Full Dummy Set	2 Sets	\$2,438
EXT	6605.xxx.BB75	Entrance Back-to-Back	Set	\$1,642
	6605.xxx.BB30	Entrance Back-to-Back	Set	\$1,642
	6605.xxx.BBFD	Dummy Back-to-Back	Set	\$1,642
	6605.xxx	Active Exterior Trim	Each	\$880
	6605.xxx.DM	Dummy Exterior Trim	Each	\$880
	INTERIOR		Interior Escutcheon –	
6796.xxx.KC		Cut for Cylinder (KC), Double Cylinder	Each	\$295
6796.xxx.KE**		Cut for Emergency Release (KE**)	Each	\$295
6796.xxx.KN		Cut for Knob (KN), Passage/Dummy	Each	\$295
6796.xxx.KT		Interior Escutcheon w/ Turn Knob (KT)	Each	\$348
6796.xxx.KP		Escutcheons Cut for Privacy (KP)	Pair	\$590

†.ENFD only available in 050 & 112, to ensure a finish match on all components.



Sets	6542.xxx.ENTR	6542.xxx.DBLC	6542.xxx.FD	6605.xxx.BB75 (BB30, BBFD)
Exterior Trim	6605.xxx	6605.xxx	6605.xxx.DM	6605.xxx (x2)
Interior Escutcheon	6796.xxx.KT	6796.xxx.KC	6796.xxx.KN	
Knob/Lever	5020.xxx.IMR	5020.xxx.IMR	5020.xxx.IMR	
Spindle	0531.004 (2.875" Half)	0531.004 (2.875" Half)	5077.004 (1.5")	
Cylinder	8326 (1.75" Door)	• 8326.000.DBL	6761 (Dummy)	• (Double)
Mortise Lock	•	•		•
Blocking Ring		• 8440.xxx.001		•



MORTISE LOCKS

A La Carte



REQUIRED

	Entrance	Entrance	Double Cylinder	Privacy	Passage
Exterior Trim	6605.xxx	6796.xxx.KC	6796.xxx.KC	6796.xxx.KE**	
Interior Escutcheon	6796.xxx.KT	6796.xxx.KT	6796.xxx.KC	6796.xxx.KT or .KP	6796.xxx.KN (x2)
Knob/Lever	5162.xxx.RMR (.LMR) (Lever)	Pair	Pair	Pair	Pair
Spindle	•	•	•	•	•
Cylinder	•	•	• (Double)		
Mortise Lock	•	•	•	• Tubular Latch & Mortise Bolt / or Mortise Lock	• Tubular Latch / or Mortise Lock
Blocking Ring			•		
Turn Knob	•				

Must order separately shown in grey

*QUICK SHIP is available in functions and finishes shown in red.

** (All .KE hardware include 6701 ER cover) SEE BACK COVER FLAP for easy-ordering charts and requirements for doors thicker than 1.75"

MORTISE GUIDE | 1.75" DOOR THICKNESS

CATALOG REFERENCE LETTER	DESIGN	DESCRIPTION	TRIM	CYLINDER	2.5 " BS		2.75" BS		LEVER STRENGTH
					STANDARD	EMERGENCY EGRESS	STANDARD	EMERGENCY EGRESS	
D	Baltimore	Knob X Knob	6552	8322	6301	6375	6075	6375	
E	Barclay	Knob X Knob	6554	8322	6301	6375	6075	6375	
H1	Bethpage	Handleset X Knob Or Lever	M522	8325	6320	6321	6020	6021	
C	Bismark	Lever X Lever	6942	8321	6301	6375	6075	6375	LS
H1	Boulder	Handleset X Knob Or Lever	M514	8325	6320	6321	6020	6375	
H1	Boulder 3/4	Handleset X Knob Or Lever	M512	8325	6320	6321	6020	6021	
G	Bristol	Handleset X Lever	6963	8323	6320	6321	6020	6021	LS
E	Bristol Lever	Lever X Lever	6939	8322	6301	6375	6075	6375	LS
H1	Cody 3/4	Handleset X Knob Or Lever	M502	8325	6320	6321	6020	6021	
H1	Cody Full	Handleset X Knob Or Lever	M504	8325	6320	6321	6020	6021	
E	Concord	Handleset X Knob	6571	8322	6320	6321	6020	6021	
H	Edinburgh	Handleset X Lever	6952	8324	6320	6321	6020	6021	LS
G	Gramercy	Handleset X Lever	6971	8323	6320	6321	6020	6021	LS
G	Gramercy 20"	Handleset X Lever	6972	8323	6320	6321	6020	6021	LS
J	Hamilton	Handleset X Lever	6544	8326	6320	6321	6020	6021	LS
G	Hollywood Hills	Handleset X Lever	6946	8323	6320	6321	6020	6021	LS
H	Houston	Lever X Lever	6973	8324	6301	6375	6075	6375	LS
F	Kensington	Handleset X Lever	6950	8323	6320	6321	6020	6021	LS
G	Lakeshore	Handleset X Lever	6966	8323	6320	6321	6020	6021	LS
G	Lakeshore Lever	Lever X Lever	6974	8323	6301	6375	6075	6375	LS
B	Lancaster	Handleset X Knob	6543	8321	6320	6321	6020	6021	
F	Lexington	Handleset X Knob	6560	8323	6320	6321	6020	6021	
G	Minneapolis	Handleset X Lever	6976	8323	6320	6321	6020	6021	LS
G	Minneapolis 20"	Handleset X Lever	6977	8323	6320	6321	6020	6021	LS
C	Nashville	Knob X Knob	6547	8321	6301	6375	6075	6375	
H1	Palm Springs	Handleset X Lever	6921	8325	6320	6321	6020	6021	LS
G	Pasadena	Handleset X Lever	6944	8323	6320	6321	6020	6021	LS
G	Santa Monica	Lever X Lever	6915	8323	6301	6375	6075	6375	LS
H1	Soho	Handleset By Lever Only	M516	8325	6320	6321	6020	6021	LS
F	Springfield	Handleset X Knob	6573	8323	6320	6321	6020	6021	
J	Tremont	Handleset X Knob	6542	8326	6320	6321	6020	6021	

CATALOG REFERENCE LETTER	TRIM	DESIGN	DESCRIPTION	CYLINDER	2.5" BS		2.75" BS		Spindle	EXTENDED TURNPIECE	THICK DOOR KIT
					LOCK	STRIKE	LOCK	STRIKE			
D	6552	Baltimore	Knob X Knob	8324	6375	6339.XXX.X158	6075	6039.XXX.X158	0521	-	N/A
E	6554	Barclay	Knob X Knob	8324	6375	6339.XXX.X158	6075	6039.XXX.X158	0523	-	N/A
H1	M522	Bethpage	Handleset X Knob Or Lever	8327	6320/6321	6039.XXX.X158	6020/6021	6339.XXX.X158	Spindle Comes In Kit	-	6501.000.C
C	6942	Bismark	Lever X Lever	8323	6375 LLS	6039.XXX.X158	6075 LLS	6339.XXX.X158	0521	-	N/A
H1	M514	Boulder	Handleset X Knob Or Lever	8327	6320/6321	6039.XXX.X158	6020/6021	6339.XXX.X158	Spindle Comes In Kit	-	6501.000.C
H1	M512	Boulder 3/4	Handleset X Knob Or Lever	8327	6320/6321	6039.XXX.X158	6020/6021	6339.XXX.X158	Spindle Comes In Kit	-	6501.000.C
G	6963	Bristol	Handleset X Lever	8325	6320/6321	6039.XXX.X158	6020/6021	6339.XXX.X158	0531	-	6501.000.A
E	6939	Bristol Lever	Lever X Lever	8324	6375 LLS	6039.XXX.X158	6075 LLS	6339.XXX.X158	0523	-	N/A
H1	M502	Cody 3/4	Handleset X Knob Or Lever	8327	6320/6321	6039.XXX.X158	PRING	6339.XXX.X158	Spindle Comes In Kit	-	6501.000.C
H1	M504	Cody Full	Handleset X Knob Or Lever	8327	6320/6321	6039.XXX.X158	6020/6021	6339.XXX.X158	Spindle Comes In Kit	-	6501.000.C
E	6571	Concord	Handleset X Knob	8324	6320/6321	6339.XXX.X158	6020/6021	6039.XXX.X158	0530	-	6501.000.A
H	6952	Edinburgh	Handleset X Lever	8326	6320/6321	6039.XXX.X158	6020/6021	6339.XXX.X158	Spindle Comes In Kit	-	6501.000.C
G	6971	Gramercy	Handleset X Lever	8325	6320/6321	6039.XXX.X158	6020/6021	6339.XXX.X158	0531	-	6501.000.A
G	6972	Gramercy 20"	Handleset X Lever	8325	6320/6321	6339.XXX.X158	6020/6021	6039.XXX.X158	0531	-	6501.000.A
J	6544	Hamilton	Handleset X Lever	8328 & 8440.XXX.003	6320/6321	6339.XXX.X158	6020/6021	6039.XXX.X158	0531	-	6501.000.D
G	6946	Hollywood Hills	Handleset X Lever	8325	6320/6321	6339.XXX.X158	6020/6021	6039.XXX.X158			
H	6973	Houston	Lever X Lever	8326	6375 LLS	6039.XXX.X158	6075 LLS	6339.XXX.X158	0524	-	N/A
F	6950	Kensington	Handleset X Lever	8325	6320/6321	6039.XXX.X158	6020/6021	6039.XXX.X158	0530	-	6501.000.A
G	6966	Lakeshore	Handleset X Lever	8325	6320/6321	6039.XXX.X158	6020/6021	6339.XXX.X158	0531	-	6501.000.F
G	6974	Lakeshore Lever	Lever X Lever	8325	6375 LLS	6039.XXX.X158	6075 LLS	6339.XXX.X158	0523	-	6501.000.E
B	6543	Lancaster	Handleset X Knob	8323	6320/6321	6339.XXX.X158	6020/6021	6039.XXX.X158	0533	-	6501.000.A
F	6560	Lexington	Handleset X Knob	8325	6320/6321	6339.XXX.X158	6020/6021	6039.XXX.X158	0530	-	6501.000.A
G	6976	Minneapolis	Handleset X Lever	8325	6320/6321	6039.XXX.X158	6020/6021	6339.XXX.X158	0531	-	6501.000.A
G	6977	Minneapolis 20"	Handleset X Lever	8325	6320/6321	6339.XXX.X158	6020/6021	6039.XXX.X158	0531	-	6501.000.A
C	6547	Nashville	Knob X Knob	8323	6375	6339.XXX.X158	6075	6039.XXX.X158	0521	-	N/A
H1	6921	Palm Springs	Handleset X Lever	8327	6320/6321LLS	6339.XXX.X158	6020/6021LLS	6039.XXX.X158	Spindle Comes In Kit	-	6501.000.C
G	6944	Pasadena	Handleset X Lever	8325	6320/6321	6339.XXX.X158	6020/6021	6039.XXX.X158	Spindle Comes In Kit	-	6501.000.C
G	6915	Santa Monica	Lever X Lever	8325	6375 LLS	6339.XXX.X158	6075 LLS	6039.XXX.X158	0523	-	6501.000.B
H1	M516	Soho	Handleset By Lever Only	8327	6320/6321LLS	6039.XXX.X158	6020/6021LLS	6339.XXX.X158	Spindle Comes In Kit	-	6501.000.C
F	6573	Springfield	Handleset X Knob	8325	6320/6321	6339.XXX.X158	6020/6021	6039.XXX.X158	0530	-	6501.000.A
J	6542	Tremont	Handleset X Knob	8328 & 8440.XXX.003	6320/6321	6339.XXX.X158	6020/6021	6039.XXX.X158	0531	-	6501.000.D

MORTISE LOCKS

Give your doors of distinction the hardware to match with Baldwin luxury entrysets—now easily compatible with custom decorative iron/steel doors in a wide range of thicknesses.

- Kits available for doors 1.5" to 2.25" thick
- Mortise and tubular options available
- Choose from dozens of Baldwin styles
- Easy to implement

FINISH EQUIVALENCES

FINISH EQUIVALENCY GRID*

Trim Finish	Kit Finish	Trim Finish	Kit Finish	Trim Finish	Kit Finish	Trim Finish	Kit Finish
003	= 221	050	= 102	076	= 151	190	= 102
031	= 221	055	= 140	102	= 102	260	= 140
033	= 221	056	= 140	112	= 112	402	= 102
044	= 221	060	= 221	150	= 140		

*Does not apply to 6501 A-C kits due to blocking rings.

THICK DOOR KITS

1.75" to 2.25" door thickness mortise handlesets



MORTISE HANDLESETS, STEEL DOOR

Kit	For Entrance Trim #	102, 112 140, 221
6599.XXX.THKA	Monterey (6565, .0937")	\$34
6599.XXX.THKB	Victoria (6948, .1875"), Kensington (6950, .3125")	\$34
6599.XXX.THKC	San Diego (6540, .0937"), Lancaster (6543, .0937"), Richmond (6557, .0937"), Dallas (6931, .0937")	\$34
6599.XXX.THKD	Bristol (6963, .375"), Concord (6571, .25")	\$34
6599.XXX.THKE	Springfield (6573, .3125"), Lexington (6560, .3125"), Atlanta (6570, .375"), Minneapolis (6976/6977, .375"), Boulder (M512/M514, .53"), Cody (M502/M504, .53"), Trenton (6567, .1875"), Pasadena (6944, .375"), Palm Springs (6920, 6921)	\$34
6599.XXX.THKF	Williamsburg (6549, .3125")	\$34
6599.XXX.THKG	New York (6562, .25")	\$34
6599.XXX.THKH	Chicago (6563, .0937")	\$34
6599.XXX.THKI	Edinburgh (6952, .435"), Richland (6999, .435")	\$34
6599.XXX.THKJ	Edinburgh Sectional (6515, .5625"), Oval Edinburgh (6516, .5625"), Bristol Sectional (6520, .5625"), 3/4 Kensington (6526, .5625")	\$34
6599.XXX.THKK	Hamilton (6544, .75"), Tremont (6542, .75")	\$34
6599.XXX.THKL	Lakeshore (6966, .396")	\$34

MORTISE, WOOD DOOR

Kit	For Entrance Trim #	Price
6501.000.A	6515, 6520, 6526, 6540, 6541, 6543, 6549, 6556, 6557, 6560, 6564, 6565, 6567, 6568, 6570, 6571, 6572, 6573, 6931, 6946, 6948, 6950, 6963, 6976, 6977 active & dummy	\$10
6501.000.B	6548, 6562, 6563, 6915 active & dummy	\$32
6501.000.C	6920, 6921, 6944, 6952, 6999 active & dummy, M502, M504, M512, M514, M516, M522	\$45
6501.000.D	6542, 6544, 6545 ACTIVE ONLY	\$27
6501.000.E	6542, 6544, 6545 DUMMY ONLY	\$34
6501.000.F	6966, 6974	\$38

REQUIRED for all doors over 1.75" and up to 2.25" thick, Thick Door Kits

REQUIRED for all doors over 1.75" and up to 2.25" thick, Thick Door Kits are for Handlesets ONLY, not Entrance Sets (Entrance sets are knob x knob or lever x lever)

*QUICK SHIP is available in functions and finishes shown in red.

THIN STEEL DOOR – MORTISE

1.5" to 1.625" Door Thickness Mortise Handle-sets

Finish: 003, 031, 033, 044, 050, 055, 056, 060, 076, 102, 112, 190, 260, 402

Item #	For Entrance Trim #	Price
6501.XXX.15A	Richmond (6557, .0937")	\$60
6501.XXX.15B	Monterey (6565, .0937")	\$60
6501.XXX.15C	Chicago (6563, .0937")	\$45

Finish: 037, 102, 112, 140, 221

Item #	For Entrance Trim #	Price
6501.XXX.15D	Victoria (6948, .1875"), Kensington (6950, .3125"), Edinburgh (6952, .435")	\$45
6501.XXX.15E	Trenton (6567, .1875"), Concord (6571, .25")	\$45
6501.XXX.15G	New York (6562, .25")	\$37
6501.XXX.15H	Williamsburg (6549, .3125")	\$45
6501.XXX.15I	Springfield (6573, .3125"), Lexington (6560, .3125"), Atlanta (6570, .375"), Minneapolis (6976/6977, .375"), Boulder (M512/M514, .53"), Cody (M502/M504, .53")	\$45
6501.XXX.15J	Lakeshore (6966, .396")	\$45
6501.XXX.15L	Richland (6999, .435")	\$51
6501.XXX.15M	Pasadena (6944, .375")	\$51
6501.XXX.15N	Bristol (6963, .375"), Edinburgh Sectional (6515, .5625"), Oval Edinburgh (6516, .5625"), Bristol Sectional (6520, .5625"), 3/4 Kensington (6526, .5625")	\$45
6501.XXX.15O	Hamilton (6544, .75"), Tremont (6542, .75")	\$51

REQUIRED for all doors 1.5" and up to 1.625" thick, Thin Door Kits are for Handlesets ONLY, not Entrance Sets (Entrance sets are knob x knob or lever x lever)

THIN STEEL DOOR – TUBULAR

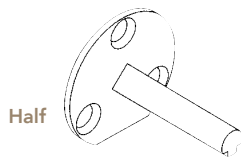
1.5" Door Thickness Tubular Handlesets

Finish: 003, 030, 031, 050, 055, 056, 076, 102, 112, 190, 260, 402

Item #	For Entrance Trim #	Price
5397.xxx.15E	EGRESS: Bethpage 3/4 (85337), Blakely (85360), Boulder (85354), Cody (85352), Manchester (85350), Stonegate (85335)	\$74
5397.xxx.15F	EGRESS: Bristol (6420), Boulder (6402), Cody (6403), Devonshire (6401), Edinburgh (6415 & 6416), Kensington (6426)	\$74

MORTISE LOCKS

Dummy Spindles & Adaptors – Escutcheon



Half

5077, 5091, 5092 – Half Dummy Spindle

- For mounting all current Estate knobs and levers to Escutcheon plates
- 5092 for most escutcheons
- 5077 for thick escutcheons: $\geq .75"$ thick (eg. Hamilton & Tremont)
- 5091 for thin escutcheons: $\leq .1"$ thick (eg. Boston, San Diego, etc.)



Full

5099.004 – Full Dummy Adaptor

- For mounting escutcheons on Full Dummy applications (2 needed)
- 1.175" diameter (30mm)
- Spindle ordered separately

Item #	Description	Size	Price
5077.004	Half Dummy Spindle	1.5"	\$19
5091.004	Half Dummy Spindle	0.875"	\$19
5092.004	Half Dummy Spindle	1.125"	\$19
5099.004	Full Dummy Adaptor	1.175"	\$7

.A SUFFIX TRANSITIONAL SPINDLES (OLD STYLE):

For use with all discontinued Estate threaded knobs & levers, as well as all current Estate knobs and levers

Transitional Half Dummy Spindles – ESCUTCHEON

Item #	Description	Size	Price
5077.004.A	Half Dummy Spindle	1.5"	\$19
5091.004.A	Half Dummy Spindle	0.875"	\$19
5092.004.A	Half Dummy Spindle	1.125"	\$19

*QUICK SHIP is available in functions and finishes shown in red.

BACKSET:

2.75" – for doors 1.75" thick and over
STEEL CASE: .875" x 4" x 5.5"
 (22 x 102 x 140mm)

2.5" – for doors 1.375" thick and over,
 1.375" doors REQUIRE 1" FRONT
STEEL CASE: .75" x 3.5" x 5.5"
 (19 x 89 x 140mm)

NOTE: Baldwin recommends the usage of 2.75" backset locks for doors thicker than 2" or doors 8ft or taller.

1.5" (38mm) and 2" (51mm) Narrow Backset – for doors 1.375" thick and over
STEEL CASE: 1.5" Backset: .75" x 1.5" x 5.5"
 (19 x 64 x 140mm)

NOTE: Baldwin recommends the usage of 2.75" backset locks for doors thicker than 2" or doors 8ft or taller.
 2" Backset: .75" x 3" x 5.5"
 (19 x 76 x 140mm)

LOCK SPECIFICATIONS:

- Standardized heavy steel case is smooth, easy to mortise, and assures snug and solid fit in door mortise.
- Vital interior working parts are made of solid hot forged brass or steel for a lifetime of trouble-free operation.
- All lock cases are constructed of heavy gauge steel (.0937" (2.4mm) - material) and plated with a protective rust-resistant coating to retard oxidation.
- All locks and strikes are designed to fit standard preparation ANSI A115.1 (face cut outs are subject to variation).
- Locks have adjustable forged brass lock fronts, protected by armor scalp fronts for ultimate Strength and protection against tampering.
- All KEYED lock functions illustrated within this section are furnished with a specially- designed security strike constructed of high grade steel for ultimate Strength and durability. The security strike is mortised into the wood jamb and anchored to the structural components of the opening with two 3" steel screws and covered with a finished strike to conceal the fasteners.
- Most lock functions are completely reversible in the field to facilitate installation.
- The bevel of front is adjustable from flat to standard bevel .125" on 2" (3mm on 51mm).
- Most metal door and frame manufacturers have provided reinforcements for Baldwin Mortise Locks.

FRONT: Hot forged brass .218" x 1.25" x 8" (6 x 32 x 203mm). Adjustable for beveled conditions.

SCALP: Wrought brass and bronze, available in standard finishes.

ANTI-FRICTION LATCH BOLT: Furnished with all 2.75" and 2.5" backset locks
 2.75" – .625" x 1" (16 x 25mm) x .75" (19mm) throw.
 2.5" – .5" x 1" (13 x 25mm) x .75" (19mm) throw
 Furnished in US4 and 26D finishes to match trim

SOLID LATCH BOLT: All 1.5" (38mm) and 2" (51mm) backset locks are furnished standard with a solid latch bolt of .5" (13mm) throw and 1" (25mm) wide front. An optional 1.25" (32mm) wide front is available.

DEADBOLT: 2.5" and 2.75" backsets equipped with a 1" (25mm) throw deadbolt with two hardened steel inserts for maximum protection and security. All deadbolts are of forged brass construction. Locks designed with 1.5" (38mm) and 2" (51mm) backsets have a .5" (13mm) throw deadbolt. Furnished in US4 and 26D finishes to match trim.

HUB SIZE: .29" (7mm) with two-way rotation. Broached on the diamond. (One-way rotation on LS functions).

SPACING: center to center of: Knob Hub to cylinder 3.437" (87mm)
 Knob Hub to turn piece 2.25" (57mm)

CYLINDER: Standard mortise type with 03 keyway and two nickel silver keys. Cylinder is not supplied with lock.

KEYING: All levels of Keying including Construction Keying are available.

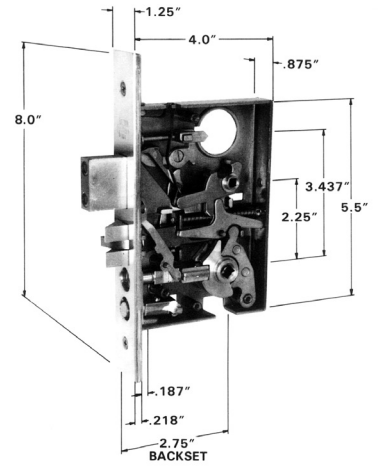
STRIKE: Wrought brass and bronze finished to match. Supplied to ANSI standard A115.1, 1.25" (32mm) lip to center. Locks furnished standard with straight lip strike (Universal) and dust box. Curved lip and special length strikes available. All KEYED lock functions are furnished standard with a high grade steel security strike and two 3" steel screws.

TEMPLATE: Metal doors/frames to be prepared in accordance with ANSI A115.1 or A115.11. Face cutouts are subject to variation. always review trim requirements before door preparation.

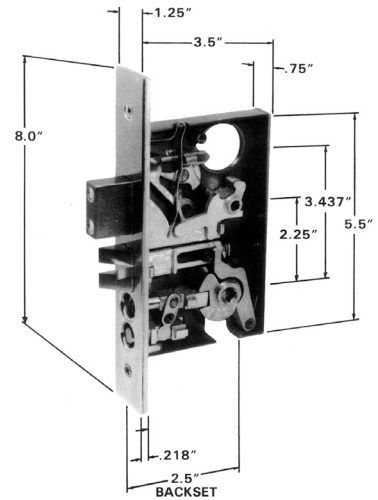
WARNING: 1.5" AND 2" BACKSET LOCKS ARE designed to be used with levers. If knobs are specified, customer should be advised that the knob will only turn in one direction and will have a stiff turning action: NOT RECOMMENDED.

All 2.5" and 2.75" Entrance Mortise Locks are U/L Listed

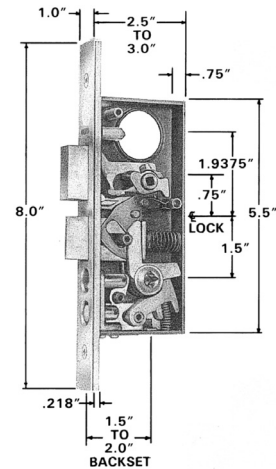
Baldwin UL-listed 2.5" and 2.75" mortise locks meet US standard UL-10C and Canadian standard CAN4 S104-M80 for survival of a 3-hour burn under positive pressure. All Baldwin Estate Collection mortise entry trim and Estate Collection knob/lever trim may be used with Baldwin UL-listed mortise locks.



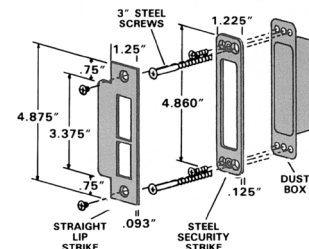
2.75" Backset for doors 1.75" thick and over



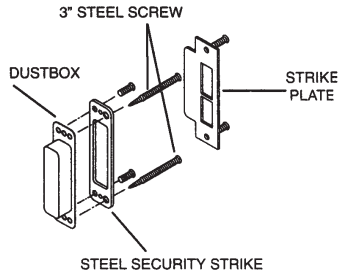
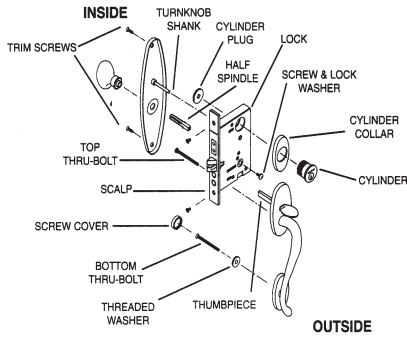
2.5" Backset for doors 1.375" thick and over



1.5" & 2" Backset for doors 1.375" thick and over



MORTISE LOCKS



Trim Symbol	Description	2.75" BACKSET (Handle Sets, Knobs & Levers)	2.5" BACKSET (Handle Sets, Knobs & Levers)	2" BACKSET (Handle Sets & Levers)	1.5" BACKSET (Handle Sets & Levers)
ENTR	Entrance Function	6001, 6010, 6020, 6021, 6070, 6075, 6077, 6091	6301, 6310, 6320, 6321, 6375	6802, 6812, 6832	6800, 6810
SGLC	Single Cylinder Function	6051, 6053, 6060, 6065, 6066, 6130	—	—	—
EXTR	Exterior Patio Function	6055, 6100	6315	6847	6845
PRIV	Privacy Function	6055, 6100	6315	6847	6845
PASS	Passage Function	6110	6318	6857	6855
BB75	Back To Back Handle Sets	6025	6325	—	—

NOTE: Entrance function locks may be used in either single cylinder or double cylinder applications.

TO ORDER: 2.75"/2.5" backset locks for levers, specify LS (Lever Strength) after lock number (i.e. 6375.033.RLS LOCK - RH).

NOTE: 1.5" and 2" Backset Locks are designed to be used with levers. If knobs are specified, customer should be advised that the knob will only turn in one direction and will have a stiff turning action: NOT RECOMMENDED.

CURVED LIP STRIKES: Locks may be ordered with curved lip strikes. The hand of strike will match the hand of the door. Please specify hand of door when ordering. A left hand reverse door will use a right hand strike and a right hand reverse door will use a left hand strike.

*Optional 1" (25mm) front with .75" (19mm) solid latch bolt available for doors of 1.375" (35mm) in thickness. Furnished standard with a curved lip strike.

HOW TO ORDER MORTISE LOCKS

SUFFIX CHART

	Suffix	Minus Strike	With 1" Front*
Right hand	.R	.RDT	.R1DT
Left hand	.L	.LDT	.L1DT
Right hand Reverse bevel	.RR	.RRDT	.RR1DT
Left hand Reverse bevel	.LR	.LRDT	.LR1DT
Right hand Lever Strength	.RLS	.RLSDT	.RLS1DT
Left hand Lever Strength	.LLS	.LLSDT	.LLS1DT
Right hand Reverse bevel Lever Strength	.RRLS	.RRLSDT	.RRB1DT
Left hand Reverse bevel Lever Strength	.LRLS	.LRLSDT	.LRB1DT

*Applies to 2.5" backset locks. For 1" Front DT Distinguishes minus strike. If ordering with strike, do not include the DT note.

1. All Mortise Locks have a handed Suffix (.R or .L)
2. All Mortise Locks are either Knob Strength (no addition to Suffix) or Lever Strength (LS added to the Suffix)

WARNING: DO NOT USE Lever Strength mortise locks with knobs. They only turn one way and have a stiff turning action suitable for levers.

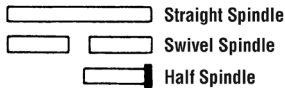
3. Other Mortise Lock options: Reverse Bevel doors (RR or LR) Minus Strike (DT), when an Extended Lip Strike is needed (order Strike separately) Optional 1" Front (1) for 1.375" doors
4. ALWAYS REVIEW SUFFIX CHART!

Finish: 003, 031, 033, 044, 050, 055, 056, 060, 076, 102, 112, 190, 260



List of available handling options

	Suffix*
Right hand	.R
Left hand	.L
Right hand Reverse bevel	.RR
Left hand Reverse bevel	.LR
Right hand Lever Strength	.RLS
Left hand Lever Strength	.LLS
Right hand Reverse bevel Lever Strength	.RRLS
Left hand Reverse bevel Lever Strength	.LRLS
Right hand Reverse bevel Lever Strength with 1" Front	.RRB1
Left hand Reverse bevel Lever Strength with 1" Front	.LRB1



Spindle Key

Item #	Description		Backset	Wt.	Std. Strike	
6001.xxx.Suffix*	Entrance/Apartment	Knob x Knob/Lever x Lever	2.75"	3.0	6040	\$504
6020.xxx.Suffix*	Residential Entrance	Handleset x Knob/Lever	2.75"	3.0	6040	\$504
6021.xxx.Suffix*	Entrance – Emergency Egress	Handleset x Knob/Lever	2.75"	3.0	6040	\$504
6025.xxx.Suffix*	Entrance Back-to-Back	Handleset x Handleset	2.75"	3.0	6040	\$504
6066.xxx.Suffix*	Electrified Strike Entrance	Handleset x Knob/Lever	2.75"	2.8	N/A	\$504
6075.xxx.Suffix*	Entrance – Emergency Egress	Knob x Knob/Lever x Lever	2.75"	3.0	6040	\$504
6301.xxx.Suffix*	Entrance/Apartment	Knob x Knob/Lever x Lever	2.5"	3.0	6340	\$504
6310.xxx.Suffix*	Entrance/Storeroom	Knob x Knob/Lever x Lever	2.5"	3.0	6340	\$504
6320.xxx.Suffix*	Residential Entrance	Handleset x Knob/Lever	2.5"	3.0	6340	\$504
6321.xxx.Suffix*	Entrance – Emergency Egress	Handleset x Knob/Lever	2.5"	3.0	6340	\$504
6325.xxx.Suffix*	Entrance Back-to-Back	Handleset x Handleset	2.5"	3.0	6340	\$504
6375.xxx.Suffix*	Entrance – Emergency Egress	Knob x Knob/Lever x Lever	2.5"	3.0	6340	\$504
6800.xxx.Suffix*	Entrance/Apartment	Lever x Lever	1.5"	3.0	6340	\$504
6802.xxx.Suffix*	Entrance/Apartment	Lever x Lever	2"	3.0	6340	\$504
6810.xxx.Suffix*	Entrance/Storeroom	Lever x Lever	1.5"	3.0	6340	\$504
6812.xxx.Suffix*	Entrance/Storeroom	Lever x Lever	2"	3.0	6340	\$504
6832.xxx.Suffix*	Residential Entrance	Handleset x Lever	2"	3.0	6340	\$504
All Mortise Locks shown above Minus Strike (.DT)						\$460

Mortise Locks NOT available in 402 Distressed finish, non-distressed equivalent 402=102

2.75" backsets comes with the 1.25" front. Non-standard 1" inch fronts are available for a 10% additional charge. To order non-standard front, add a "1" at the end of the Item #. i.e. 6802.112.R1 (except Reverse Bevel, LRB1, RRB1 and cannot apply to 2.75" backsets) 2" backsets comes with the 1" front. Non-standard 1.25" fronts are available for a 10% additional charge. To order non-standard front, add a "125" at the end of the Item #. i.e. 6802.112.R125 (except Reverse Bevel, LRB125, RRB125 and cannot apply to 2.75" backsets).

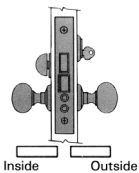
- Specify handing with Suffix* after finish designation (Suffix chart above left)
- Some Baldwin mortise locks are reversible in the field if needed – see individual functions

NOTE: Baldwin recommends the usage of 2.75" backset locks for doors thicker than 2" or doors 8ft or taller.

WARNING: DO NOT USE lever Strength mortise locks with knobs. They only turn one way and have a stiff turning action suitable for levers.

6001, 6301, 6800, 6802

Entrance and Apartment



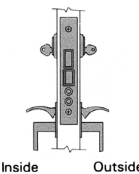
- Latch bolt by thumb piece from either side, except when outside knob is locked by stop in front, then latch bolt by key outside and knob inside.
- Deadbolt by key outside and turn piece inside. Continuous turn of key outside retracts both latch and Deadbolt.
- 1" (25mm) throw Deadbolt with saw-proof inserts is standard equipment. (Not available for 2" or smaller brackets)
- When extended, Deadbolt deadlocks latch bolt (not true for 6800 & 6802).

FEDERAL SPECIFICATION EQUIVALENTS (FSE): ANSI Series: 100-F08/F10

Baldwin Mortise Lock Turn Piece cylinder 8444.xxx may be used for interior, see page 171.

6025, 6325

Back-To-Back Entrance



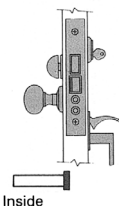
- Latch bolt by thumb piece from either side, except when outside thumb piece is locked by stop in front, then latch bolt by key either side and thumb piece inside.
- Deadbolt by key either side, continuous turn of key retracts both latch and Deadbolt.
- 1" (25mm) throw Deadbolt with saw-proof inserts is standard equipment. When extended, Deadbolt deadlocks latch bolt.

NOTE: Baldwin Mortise Lock Turn Piece cylinder 8440.xxx may be used on the interior, see page 162.

NOTE: To order and price complete trim sets, order two sets of exterior handle trim in "BBXX" configuration.

6020, 6320, 6832

Residential Entrance



- Latch bolt by thumb piece outside and knob inside, except when thumb piece is locked by stop in front; then latch bolt by key outside and knob inside.
- Deadbolt by key outside and turn piece inside.
- Continuous turn of key outside retracts both latch and Deadbolt.
- 1" (25mm) throw Deadbolt with saw-proof inserts is standard equipment. (Not available for 2" or smaller brackets)
- When extended, Deadbolt deadlocks latch bolt (not true for 6832).

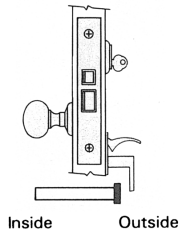
FSE: Government Type: 122A

NOTE: May be used in single and double cylinder applications.

NOTE: To order and price complete trim sets, order two sets of exterior handle trim in "BBXX" configuration.

6066

Electric Strike Entrance

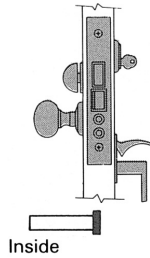


- Latch bolt by knob inside and key outside. Outside trim is always rigid.
- Auxiliary latch deadlocks latch bolt.
- Furnished with solid latch bolt.
- Caution should be used to ensure that the electric strike being used properly engages the latch mechanism while depressing the auxiliary latch.

NOTE: A full dummy trim with an active spindle is recommended for use with this lock.

6021, 6321

Residential Entrance,
Emergency Egress



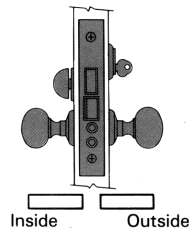
- Latch bolt by thumb piece outside and knob inside, except when thumb piece is locked by stop in front; then latch bolt by key outside and knob inside.
- Deadbolt by key outside and turn piece inside.
- When Deadbolt is thrown, stop is automatically activated making outside thumb piece rigid. Inside knob retracts latch and Deadbolt simultaneously but outside remains LOCKED.
- 1" (25mm) throw Deadbolt with saw-proof inserts is standard equipment.
- When extended, Deadbolt deadlocks latch bolt.

NOTE: Not recommended for double cylinder applications.

NOTE: 6321 - NOT FIELD REVERSIBLE

6075, 6375

Entrance, Emergency Egress



- Latch bolt by knob from either side, except when outside knob is locked by stop in front; then latch bolt by key outside and knob inside. Deadbolt by key outside and turn piece inside. When Deadbolt is thrown, stop is automatically activated making outside knob rigid. Inside knob retracts latch and Deadbolt simultaneously but outside remains LOCKED.
- 1" (25mm) throw Deadbolt with saw-proof inserts is standard equipment. When extended, Deadbolt deadlocks latch bolt.

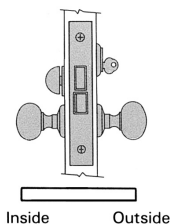
FSE: ANSI Series: 1000-F12/F20

NOTE: Not recommended for double cylinder applications.

NOTE: 6375 - NOT FIELD REVERSIBLE

6310, 6812, 6810

Entrance and Storeroom



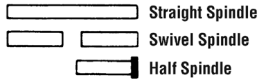
- Latch bolt by knob either side. Deadbolt by key outside and turn piece inside.
- 1" (25mm) throw Deadbolt with saw-proof inserts is standard equipment. (Not available for 2" or smaller backsets) When extended, Deadbolt deadlocks latch bolt.

FSE: ANSI Series: 1000-F21

NOTE: for single and double cylinder applications.

List of available handling options

	Suffix*
Right hand Lever Strength	.RLS
Left hand Lever Strength	.LLS
Right hand Reverse bevel Lever Strength	.RRLS
Left hand Reverse bevel Lever Strength	.LRLS



Spindle Key

Swivel spindles are recommended for all Grade 1 Mortise Locks, except G110-G311 Passage

WHEN ORDERING CYLINDERS

All G-series light commercial mortise locks require a special cylinder.

Use the existing cylinder chart (back flap) for cylinder length, but add a suffix ".EMHT" to the end of the Item #. (same price as standard C keyway cylinders)

EXAMPLE:

Lifetime Polished Brass 1.25" cylinder for G-series mortise locks

8323.003.EMHT

NOTE: Ernhart Cam can be purchase separately, see page 170.

Finish: 003, 031, 033, 040, 050, 055, 056, 060, 076, 102, 112, 190, 260

Item #	Description		ANSI	Backset	Price
G6010.xxx.Suffix*	Dormitory Entrance or Storeroom	Lever x Lever	F21	2.75"	\$547
G6055.xxx.Suffix*	Privacy, Bedroom or Bathroom	Lever x Lever	F19	2.75"	\$489
G6060.xxx.Suffix*	Classroom, Entrance or Office	Lever x Lever	F04	2.75"	\$489
G6065.xxx.Suffix*	Storeroom or Closet	Lever x Lever	F07	2.75"	\$489
G6075.xxx.Suffix*	Entrance or Apartment	Lever x Lever	F12	2.75"	\$547
G6085.xxx.Suffix*	Entrance or Public Restroom	Lever x Lever	F09	2.75"	\$547
G6090.xxx.Suffix*	Store Door	Lever x Lever	F14	2.75"	\$547
G6110.xxx.Suffix*	Passage or Closet	Lever x Lever	F01	2.75"	\$489
G6130.xxx.Suffix*	Classroom	Lever x Lever	F05	2.75"	\$489
G6310.xxx.Suffix*	Dormitory Entrance or Storeroom	Lever x Lever	F21	2.5"	\$547
G6318.xxx.Suffix*	Passage or Closet	Lever x Lever	F01	2.5"	\$518
G6355.xxx.Suffix*	Privacy, Bedroom or Bathroom	Lever x Lever	F19	2.5"	\$489
G6360.xxx.Suffix*	Classroom, Entrance or Office	Lever x Lever	F04	2.5"	\$489
G6365.xxx.Suffix*	Storeroom or Closet	Lever x Lever	F07	2.5"	\$489
G6375.xxx.Suffix*	Entrance or Apartment	Lever x Lever	F12	2.5"	\$547
G6377.xxx.Suffix*	Entrance or Apartment	Lever x Lever	F20	2.5"	\$547
G6385.xxx.Suffix*	Entrance or Public Restroom	Lever x Lever	F09	2.5"	\$489
G6330.xxx.Suffix*	Classroom	Lever x Lever	F05	2.5"	\$547
G6390.xxx.Suffix*	Store Door	Lever x Lever	F14	2.5"	\$547

Mortise Locks NOT available in 402 Distressed finish, non-distressed equivalent 402=102

2.75" backsets comes with the 1.25" front. 2.5" backsets comes with the 1.25" front. Non-standard 1" inch fronts are available for a 10% additional charge. To order non-standard front, add a "1" at the end of the Item #. i.e. 6802.112.R1 (except Reverse Bevel, LRB1, RRB1 and cannot apply to 2.75" backsets)

WARNING: DO NOT USE lever Strength mortise locks with knobs. They only turn one way and have a stiff turning action suitable for levers.

MORTISE LOCKS

Application:

Baldwin Architects/Designers and Dealer Network have requested the ability to utilize Baldwin Estate Trims in light-duty commercial projects (guest rooms, condominium). The Baldwin G6000/G6300 line of Mortise Locks will provide this capability. All existing Baldwin lever by lever entrance and sectional set locksets are adaptable. Door Preparation: For use with metal doors and frames to be prepared in accordance with ANSI A 115.11.

Specification:

Grade 1: Meets/exceeds operational, security and cycle test requirements U/L: ANSI/UL 10B Listed 3 Hour Fire Rated – UL File No. R13846 Backsets: 2 1/2 and 2 3/4 inch standard Other Sizes Available Case: Heavy Gage Plated Steel Armor Front: Wrought Brass, Bronze or S/S. Adjustable Bevel Option Latch Bolt: 3/4" Throw. Brass – Anti-Friction Type Dead Bolt: 1" Throw. Brass – with Harden Steel Inserts Reversibility: Most functions are field reversible. Factory sets handing to order.

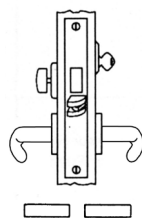
Strikes: Flat standard, curved and long lip strikes available.

Other Specification:

3.437 in lever hub to cylinder center spacing note: designed to be used with existing Baldwin Estate Trim 7.2mm spindle on the diamond for use with Estate Levers

G6010 & G6310

Dormitory Entrance or Storeroom

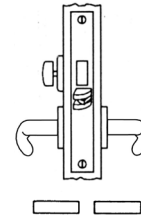


Latch bolt by handle either side. Deadbolt by key outside and thumbturn inside. Use of inside handle retracts latch and deadbolt simultaneously automatically unlocking outside handle.

FEDERAL SPECIFICATION EQUIVALENTS (FSE): ANSI Series: 1000-F21

G6055 & G6355

Privacy, Bedroom or Bathroom

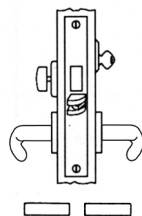


Latch bolt by handle either side. Deadbolt by thumbturn inside and emergency key outside. Use of inside handle retracts latch and dead bolt simultaneously - automatically unlocking outside handle.

FSE: ANSI Series: 1000-F19

G6090 & G6390

Storeroom

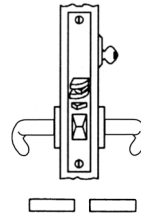


Latch bolt by handle inside and guest/master key outside. Outside handle always rigid. Deadbolt by thumbturn inside and service key only outside.

FSE: ANSI Series: 1000-F14

G6060 & G6360

Classroom, Entrance or Office

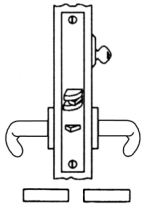


Latch bolt by key outside and handle either side unless outside handle is locked by key outside. Auxiliary latch deadlocks latch bolt.

FSE: ANSI Series: 1000-F04

G6065 & G6365

Storeroom or Closet

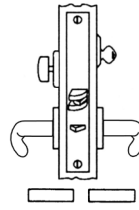


Latch bolt by handle inside and key outside. Outside handle always rigid. Auxiliary latch deadlocks latch bolt.

FSE: ANSI Series: 1000-F07

G6075 & G6375

Entrance or Apartment

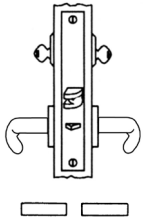


Latch bolt by key outside and handle either side unless outside handle is locked by toggle action stop. Deadbolt by key outside and thumbturn inside. Use of inside handle retracts latch and deadbolt. Outside handle remains locked.

FSE: ANSI Series: 1000-F12

G6085 & G6385

Entrance or Public Restroom

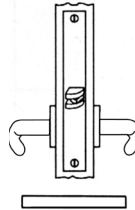


Latch bolt by handle either side unless outside handle is locked by master key from inside. When outside handle is locked, latch Bolt by key outside and handle inside. Auxiliary latch deadlocks latch bolt.

FSE: ANSI Series: 1000-F09

G6110 & G6318

Passage or Closet

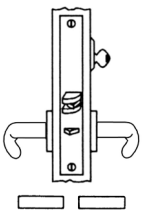


Latch bolt operated by handle either side at all times. Both handles always free.

FSE: ANSI Series: 1000-F01

G6130 & G6330

Classroom

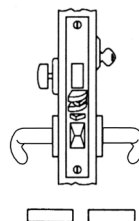


Latch bolt by key outside and handle either side unless outside handle is locked by key outside. Auxiliary latch deadlocks latch bolt.

FSE: ANSI Series: 1000-F05

G6377

Entrance or Apartment



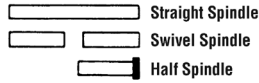
Latch bolt by key outside and handle either side unless outside handle is locked by toggle-action stop. Deadbolt by key outside and thumbturn inside. Use of inside handle retracts latch dead bolt simultaneously. Outside handle remains locked. Auxiliary latch deadlocks latchbolt and prevents manipulation of locked toggle-action stop.

FSE: ANSI Series: 1000-F20

Finish: 003, 031, 033, 044, 050, 055, 056, 060, 076, 102, 112, 190, 260

List of available handling options

	Suffix*
Right hand	.R
Left hand	.L



Spindle Key

Item #	Description	Backset	Wt.	
8530.xxx.Suffix*	Interior Mortise Lock – Passage Knob x Knob	2.5"	1.2	\$233
8535.xxx.Suffix*	Interior Mortise Lock – Passage Lever x Lever	2.5"		\$233
8540.xxx.Suffix*	Interior Mortise Lock – Privacy Knob x Knob	2.5"	1.5	\$233
8545.xxx.Suffix*	Interior Mortise Lock – Privacy Lever x Lever	2.5"		\$233
8530.xxx.FSTR	T Strike for Small Case Mortise Locks			\$37

NOTE: 8530.xxx, 8535.xxx, 8540.xxx & 8545.xxx include a 3.5" spindle & offers 40° opening. Mortise Locks NOT available in 402 Distressed finish, non-distressed equivalent 402=102

• Specify handing with suffix*

PRIVACY FUNCTION: Latch bolt by knob either side. Deadbolt by turn piece inside and Emergency Key 0417 outside.

STEEL CASE: .625" x 3.375" x 3.75" (16 x 86 x 95mm)

FRONT: .156" x 1" x 5.75" (4 x 25 x 133mm). Adjustable for beveled conditions; finished to match.

LATCH BOLT: .5" x .625" (13 x 16mm) x .5" (13mm) throw. Furnished in US4 and 26D finishes to match trim.

DEAD BOLT: .5" x .75" (13 x 19mm) x .5" (13mm) throw. Furnished in US4 and 26D finishes to match trim.

HUB SIZE: .29" (7mm). Broached on the diamond.

BACKSET: 2.5" (64mm)

SPACING: Knob hub to turn piece: 2.25" (57mm)

STRIKE: Specially-designed curved lip strike is fully reversible (non-handed); available in 1.25" (32mm) Lip to Center dimension only.

DUST BOX: Box is furnished unattached; conceals installation marks and cutouts. (8530-000)

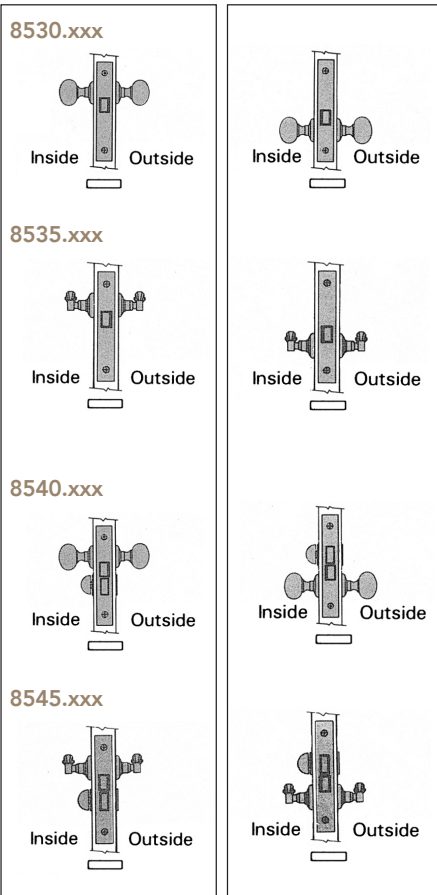
PACKED: One in a box with a strike, dust box, fasteners, and 3.5" spindle.

ORDERING INSTRUCTIONS: Locks are supplied as illustrated in left column.

To install locks as illustrated in right column, specify the OPPOSITE HAND OF THE DOOR.

INSTALLATION METHODS

Locks are reversible, may be installed in either position

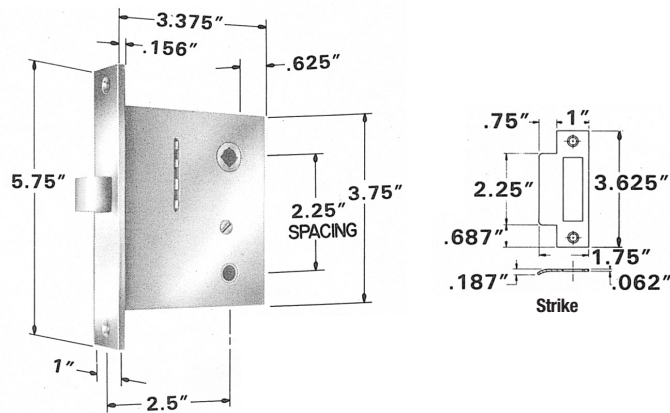


(Normal Installation)

(Reverse Installation, order opposite door handing)

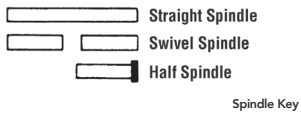
SMALL CASE MORTISE LOCK

- Quick and easy install on pre-prepared doors
- Heavy gauge steel case, solid forged brass interior working parts
- Completely reversible for all door conditions
- Turn Pieces and Emergency Release Trim must be ordered separately (NOT included in price of lock)
- Due to 2-1/4" spacing, not all Baldwin rosettes and ER trim will fit. To verify fit, add 1/2 height of rose & 1/2 height of ER trim, total cannot exceed 2.25".



Finish: 003, 031, 033, 044, 050, 055, 056, 060, 076, 102, 112, 190, 260

List of available handling options	
	Suffix*
Right hand	.R
Left hand	.L
Right hand Reverse bevel	.RR
Left hand Reverse bevel	.LR
Right hand Lever Strength	.RLS
Left hand Lever Strength	.LLS
Right hand Reverse bevel Lever Strength	.RRLS
Left hand Reverse bevel Lever Strength	.LRLS
Right hand Reverse bevel Lever Strength with 1" Front	.RRB1
Left hand Reverse bevel Lever Strength with 1" Front	.LRB1

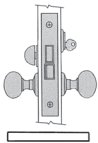


Item #	Description	Backset	Wt.	Std.	Strike	Price
6010.xxx.Suffix*	Interior Mortise Lock – Entrance & Storeroom	Knob x Knob/Lever x Lever	2.75"	3.0	6040	\$444
6055.xxx.Suffix*	Interior Mortise Lock – Privacy	Knob x Knob/Lever x Lever	2.75"	2.8	6040	\$444
6060.xxx.Suffix*	Interior Mortise Lock – Corridor/Office	Knob x Knob/Lever x Lever	2.75"	2.8	6041	\$444
6065.xxx.Suffix*	Interior Mortise Lock – Emergency/Utility Room	Knob x Knob/Lever x Lever	2.75"	2.8	6041	\$444
6070.xxx.Suffix*	Interior Mortise Lock – Dormitory/Exit	Knob x Knob/Lever x Lever	2.75"	2.8	6040	\$444
6100.xxx.Suffix*	Interior Mortise Lock – Bath/Bedroom	Knob x Knob/Lever x Lever	2.75"	2.8	6040	\$444
6110.xxx.Suffix*	Interior Mortise Lock – Passage	Knob x Knob/Lever x Lever	2.75"	2.6	6041	\$444
6130.xxx.Suffix*	Interior Mortise Lock – Classroom	Knob x Knob/Lever x Lever	2.75"	2.8	6041	\$444
6315.xxx.Suffix*	Interior Mortise Lock – Bath/Bedroom	Knob x Knob/Lever x Lever	2.5"	xx	6340	\$444
6318.xxx.Suffix*	Interior Mortise Lock – Passage	Knob x Knob/Lever x Lever	2.5"	xx	6341	\$444
6845.xxx.Suffix*	Narrow Interior Mortise Lock – Bath/Bedroom	Lever x Lever	1.5"	xx	6340	\$444
6847.xxx.Suffix*	Narrow Interior Mortise Lock – Bath/Bedroom	Lever x Lever	2"	xx	6340	\$444
6855.xxx.Suffix*	Narrow Interior Mortise Lock – Passage	Lever x Lever	1.5"	xx	6341	\$444
6857.xxx.Suffix*	Narrow Interior Mortise Lock – Passage	Lever x Lever	2"	xx	6341	\$444
All Mortise Locks shown above Minus Strike (DT)						\$402

Mortise Locks NOT available in 402 Distressed finish, non-distressed equivalent 402=102

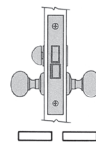
2.75" backsets comes with the 1.25" front. Non-standard 1" inch fronts are available for a 10% additional charge. To order non-standard front, add a "1" at the end of the Item #. i.e. 6802.112.R1 (except Reverse Bevel, LRB1, RRB1 and cannot apply to 2.75" backsets)
 1.5" and 2" backsets comes with the 1" front. Non-standard 1.25" fronts are available for a 10% additional charge. To order non-standard front, add a "125" at the end of the Item #. i.e. 6802.112.R125 (except Reverse Bevel, LRB125, RRB125 and cannot apply to 2.75" backsets)
 Specify handing with Suffix* after finish designation (Suffix chart above left)
 Baldwin mortise locks are reversible in the field if needed
 Furnished with anti friction latch. Solid available upon request
WARNING: DO NOT USE lever Strength mortise locks with knobs. They only turn one way and have a stiff turning action suitable for levers.

6010 Entrance and Storeroom



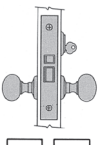
Latch bolt by knob either side. Deadbolt by key outside and turn piece inside. 1" (25mm) throw Deadbolt with saw-proof inserts is standard equipment. When extended, Deadbolt deadlocks latch bolt.
 FEDERAL SPECIFICATION EQUIVALENTS
 (FSE): ANSI Series: 1000-F21
 NOTE: for single and double cylinder applications

6055 Privacy



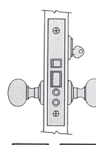
Latch bolt by knob either side. Deadbolt by turn piece inside and emergency key 0417 outside. Inside knob retracts latch and Deadbolt simultaneously, automatically unlocking outside knob. 1" (25mm) throw Deadbolt with saw-proof inserts is standard equipment. When extended, Deadbolt deadlocks latch bolt.
 FSE: ANSI Series: 1000-F19

6065 Emergency and Utility Room



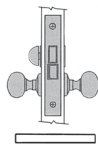
Auxiliary latch deadlocks latch bolt.
 *Suggested for use with electric strike. Caution should be used to ensure that the electric strike being used properly engages the latch mechanism while depressing the auxiliary latch. We recommend solid latch bolt with this lock when used with an electric strike. An anti-friction latch is standard. A solid latch is available.
 FSE: ANSI Series: 1000-F07
 NOTE: For handle set applications, refer to Function 6066.

6060 Corridor and Office



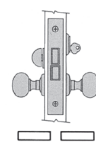
Latch bolt by knob from either side, except when outside knob is locked by stop in front, then by key outside and knob inside. Auxiliary latch deadlocks latch bolt.
 FSE: ANSI Series: 1000-F04

6100, 6315, 6845, 6847 Bathroom and Bedroom



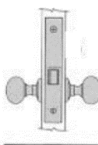
Latch bolt by knob either side. Deadbolt by turn piece inside and emergency key 0417 outside. 1" (25mm) throw Deadbolt with saw-proof inserts is standard equipment. When extended, Deadbolt deadlocks latch bolt.
 FSE: ANSI Series: 1000-F02

6070 Dormitory and Exit



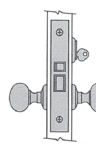
Latch bolt by knob either side. Deadbolt by key outside and turn piece inside. When Deadbolt is projected, latch bolt is deadlocked and outside knob is rigid. Inside knob retracts latch and Deadbolt simultaneously, automatically unlocking outside knob. 1" (25mm) throw Deadbolt with saw-proof inserts is standard equipment. When extended, Deadbolt deadlocks latch bolt.
 FSE: ANSI Series: 1000-F13

6110, 6318, 6855, 6857 Passage



Latch bolt by knob either side.
 FSE: ANSI Series: 1000-F01

6130 Classroom

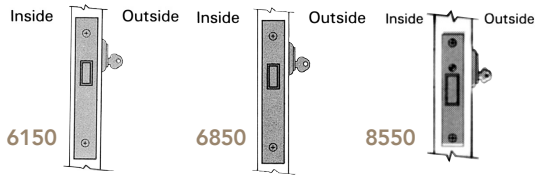


Latch bolt by knob either side, except when outside knob is locked by key outside, then by key outside. Inside knob is always free. Auxiliary latch deadlocks latch bolt.
 FSE: ANSI Series: 1000-F05

MORTISE LOCKS

Single Cylinder

Function: Dead bolt by cylinder key from either side
Included: 8300 Cylinder Collar
Note: 6150, 6850 & 8550 may be used in double cylinder applications



Finish: 003, 031, 033, 044, 050, 055, 056, 060, 076, 102, 112, 190, 260

Item #	Description	Backset	Wt.	Price
6150.xxx	Single Cylinder	2.75"	2.0	\$402
6160.xxx	Turn Piece/Cylinder	2.75"	2.3	\$402
6860.xxx	Turn Piece/Cylinder	1.5"	2.3	\$416
6850.xxx	Single Cylinder	1.5"	2.0	\$416
8550.xxx	Single Cylinder	2.5"	1.0	\$257
8555.xxx	Double Cylinder	2.5"	1.0	\$257
8560.xxx	Turn Piece/Cylinder	2.5"	1.0	\$257

Mortise Locks NOT available in 402 Distressed finish, non-distressed equivalent 402=102

BACKSET:

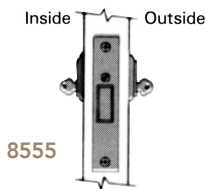
6160 (2.75") – for doors 2.75" thick and over
STEEL CASE: .875" x 4" x 5.5"
 (22 x 102 x 140mm)

8560 (2.5") – for doors 1.375" thick and over, 1.375" doors REQUIRE 1" FRONT Adjustable for beveled conditions; finished to match.
FRONT: 0.156" x 1" x 5.75"
 (4 x 25 x 133mm)

6860 (1.5") (38mm) Narrow Backset – for doors 1.375" thick and over
STEEL CASE: 1.5" Backset: .75" x 2.5" x 5.5"
 (19 x 64 x 140mm)
 2" Backset: .75" x 2.5" x 5.5"
 (19 x 76 x 140mm)
FRONT:* 0.218" x 1" x 8"
 (6 x 25 x 203mm)

Double Cylinder

Function: Dead bolt by cylinder key from either side
Included: 8300 Cylinder Collar, 2 each



- Heavy gauge steel case with solid forged brass working parts
- Completely reversible for all door conditions

DEADBOLT: .5" x 1.25" (13 x 32mm) x 1" (25mm) throw with two saw-proof inserts.

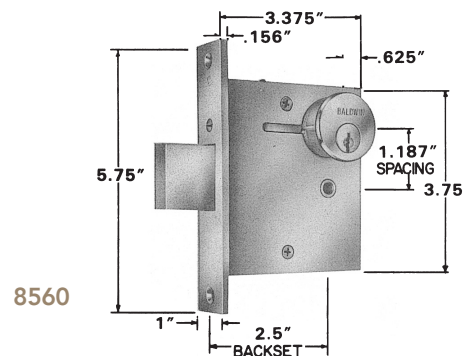
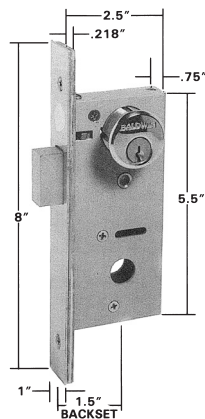
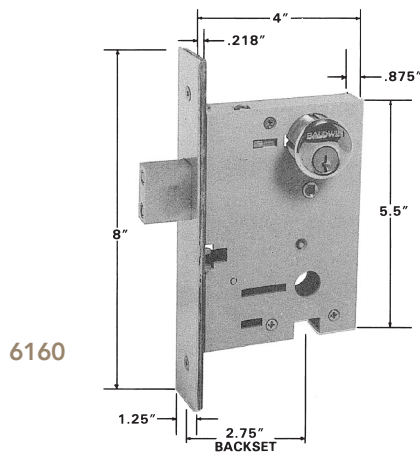
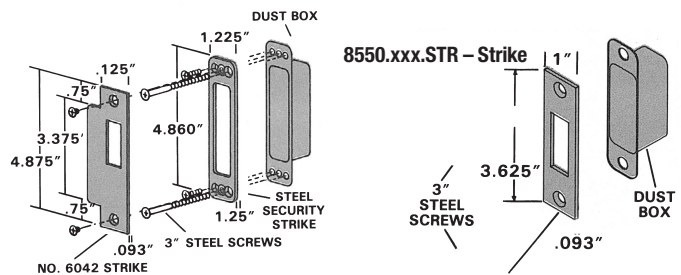
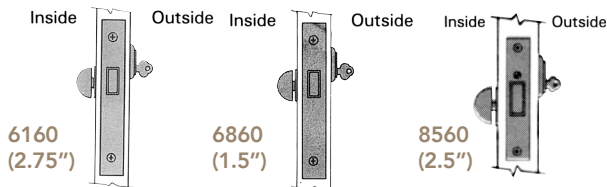
STRIKE: Heavy gauge brass finished to match. Furnished with two 3" steel screws and a dust box standard (8530.000).

CYLINDER: Standard mortise type not included – must be purchased separately.

PACKED: One in a box. 8300 Cylinder Collar, 8530.000 Dust Box, and fasteners.

Turn Piece/ Cylinder

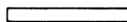


Function: Dead bolt by cylinder key outside and turn piece inside
Included: 8300 Cylinder Collar & 6750 Turn Piece
Note: Other turn pieces and cylinder trim are available



Finish: 003, 031, 033, 044, 050, 055 056, 060, 076, 102 112, 190, 260

List of available handling options

	Suffix*
Right hand	.R
Left hand	.L
Right hand Reverse bevel	.RR
Left hand Reverse bevel	.LR
Right hand Lever Strength	.RLS
Left hand Lever Strength	.LLS
Right hand Reverse bevel Lever Strength	.RRLS
Left hand Reverse bevel Lever Strength	.LRLS

-  Straight Spindle
-  Swivel Spindle
-  Half Spindle

Spindle Key

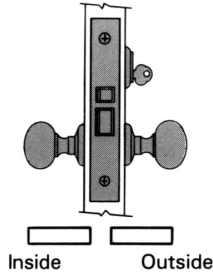
Item #	Description	Backset	Wt.	Std. Strike	Price
6051.xxx.Suffix*	Fail Safe (power off unlocks outside knob)	Knob x Knob/Lever x Lever	2.75"	3.0	6041 \$1,161
6053.xxx.Suffix*	Fail Secure (power off locks outside knob)	Knob x Knob/Lever x Lever	2.75"	3.0	6041 \$1,161
All Mortise Locks shown above Minus Strike (.DT)					\$1,123

Mortise Locks NOT available in 402 Distressed finish, non-distressed equivalent 402=102

- Specify handing with Suffix* after finish designation (Suffix chart above left)
- Baldwin mortise locks are reversible in the field if needed

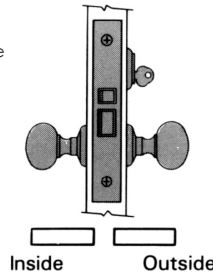
WARNING: DO NOT USE lever Strength mortise locks with knobs. They only turn one way and have a stiff turning action suitable for levers.

6051 Fail Safe



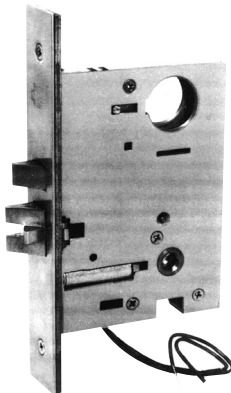
- Latch bolt by knob either side except when outside knob is locked by energizing solenoid.
- Key outside retracts latch bolt when solenoid is energized.
- Inside knob is always FREE.
- Auxiliary Latch deadlocks latch bolt.
- **IMPORTANT: POWER OFF UNLOCKS OUTSIDE KNOB.**

6053 Fail Secure



- Latch bolt by knob either side ONLY when solenoid is energized.
- Latch bolt retracted by key outside and knob inside when solenoid is NOT energized.
- Inside knob is always FREE.
- Auxiliary Latch deadlocks latch bolt.
- **IMPORTANT: POWER OFF LOCKS OUTSIDE KNOB.**

Mortise Electrical Specifications



RATED VOLTAGE: 24V AC/24V DC – AC/DC Converter is built inside.

OPERATING VOLTAGE RANGE: 22-26V AC/V DC

TEST VOLTAGE: 18V AC/V DC

RATED CURRENT: 0.35 Amperes (0.4 Amperes Maximum)

DUTY: Continuous

SOLENOID LEAD WIRE LENGTH: 6" (153mm)

IMPORTANT FEATURE: To facilitate installation, Solenoid is constructed inside the lock case.

IMPORTANT NOTES:

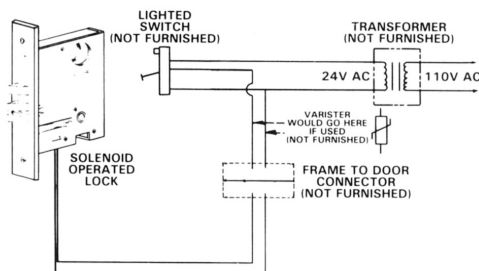
- 1.) Each electrified lock should have its own 24 volt transformer. Two or more locks may be operated in PARALLEL from a single transformer with the proper current rating. DO NOT connect locks in a series from a higher rated transformer.
- 2.) We DO NOT recommend wiring electrified locks to a circuit containing electromagnetic devices as transient voltage can cause damage to the lock. Transient voltage must be suppressed at its source before connecting locks to the circuit.
- 3.) A Varistor at 35 volts (peak-recurrent) may be used for transient voltage protection. 1-hole for latch bolt – Electric strike not available - must order 3rd party

APPLICATIONS: Electrically-controlled locking devices are designed for specific security and fire safety installations including:

- | | |
|----------------------------------|-------------------------|
| Security Controlled Entrances | Stairwell Doors |
| Apartment Buildings | Computer Rooms |
| Remote-controlled Security Doors | Hospital/Narcotic Areas |
| Fire Safety Alarms | Cashier Rooms |

CONTROLLING/REGULATING DEVICES: Electrified locks can be locked or unlocked by the following means:

- | | |
|-------------------------|--------------------------|
| Toggle (Wall) Switch | Computerized Controls |
| Master Control Consoles | Access Card Readers |
| Automatic Time Devices | Smoke/Fire Alarms |
| Security Alarms | Thermo-Sensitive Devices |



Specifications for all Entrance Strikes

THICKNESS:
.093" (2.3mm), brass material.

TEMPLATE:
Designed to fit metal/wood frames prepared in accordance to ANSI A115.1/A115.11.

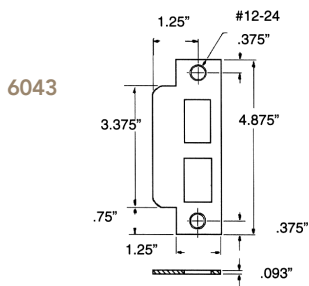
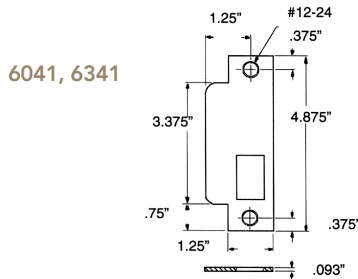
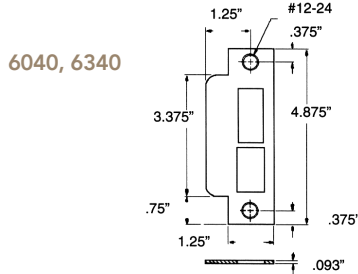
CURVED LIP:
Available with a curved lip. Supplied standard with all locks incorporating a solid-type latch bolt. ALWAYS SPECIFY

SCREWS:
Furnished with 12 combination wood/machine screws, finished to match.

FEATURES:
Furnished flat with rounded lip edges for universal use with left and right handed locks.

HAND OF DOOR:
Example: 6340.XXX.R.
Please see ordering instructions in this section.

ASA Strikes - Straight & Curved Lip
Residential Entrance, Emergency Egress



Finish: 003, 031, 033, 044, 050, 055, 056, 060, 076, 102, 112, 190, 260

ASA Strikes – Straight Lip – 1.25" Lip-to-Center

Item #	Function	Price
6040.xxx	2.75" backset latch, deadbolt	\$45
6041.xxx	2.75" backset latch only	\$45
6043.xxx	2.75" backset latch, deadbolt, aux latch	\$45
6340.xxx	1.5", 2", 2.5" backset latch, deadbolt	\$45
6341.xxx	1.5", 2", 2.5" backset latch only	\$45

ASA Strikes – Curved Lip – 1.25" Lip-to-Center

Item #	Function	Price
6040.xxx.R (L)	2.75" backset latch, deadbolt	\$45
6041.xxx.R (L)	2.75" backset latch only	\$45
6043.xxx.R (L)	2.75" backset latch, deadbolt, aux latch	\$45
6340.xxx.R (L)	1.5", 2", 2.5" backset latch, deadbolt	\$45
6341.xxx.R (L)	1.5", 2", 2.5" backset latch only	\$45

Curved lip strikes are handed – order same hand as door (.R or .L)

6044.xxx, 6340.xxx – LATCH/DEADBOLT FUNCTION

- Supplied standard with all locks
- Anti-friction latch bolt
- 6040 – Use with locks incorporating a .625" (16mm) wide latch bolt (6000 Series)
- 6340 – Use with locks incorporating a .5" (13mm) wide latch bolt. (6300 Series and 6800 Series locks)

6041.xxx, 6341.xxx – LATCH BOLT FUNCTION

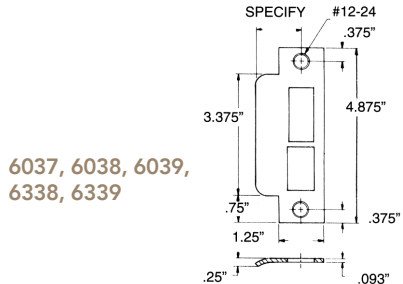
- 6041 – Use with locks incorporating .625" (16mm) wide latch bolt (6000 Series)
- 6341 – Use with locks incorporating .5" (13mm) wide latch bolt. (6300 Series and 6800 Series locks)

6043.xxx – LATCH/AUXILIARY LATCH/DEADBOLT FUNCTION

Use with lock functions incorporating a latch, auxiliary latch, and deadbolt
Available for 6000 Series locks only

MORTISE LOCKS

ASA Strikes - Extended Lip



Finish: 003, 031, 033, 044, 050, 055, 056, 060, 076, 102, 112, 190, 260

Item #	Function	Price
6037.xxx.XXXX	2.75" backset latch, deadbolt, aux latch	\$95
6038.xxx.XXXX	2.75" backset latch only	\$95
6039.xxx.XXXX	2.75" backset latch, deadbolt	\$95
6338.xxx.XXXX	1.5", 2", 2.5" backset latch only	\$95
6339.xxx.XXXX	1.5", 2", 2.5" backset latch, deadbolt	\$95

.XXXX indicates Extended Lip to Center size = .R158, .L158, .R178, .L178, .R214, .L214, .R300, .L300

6037, 6038, 6039, 6338, 6339.xxx – EXTENDED LIP STRIKES (HANDED)

- Use with locks installed on special door/frame conditions
- Supplied with a curved lip only
- ALWAYS SPECIFY HAND OF DOOR AND REQUIRED LENGTH
- **Note:** Reverse bevel doors use opposite hand for strike selection (i.e. Right hand reverse bevel use left hand strike.)

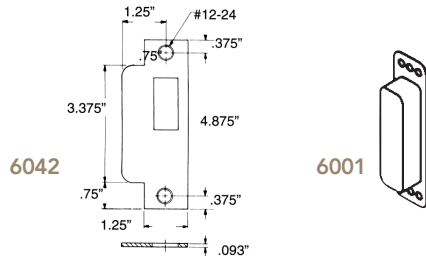
Lip to Center lengths:
.R158 or .L158 – 1.625" (41mm)
.R178 or .L178 – 1.875" (48mm)
.R214 or .L214 – 2.25" (57mm)
.R300 or .L300 – 3" (76mm)

Lip to Center length determined by the following formula:

Door thickness ÷ 2 + .375" (10mm) = Lip to Center length
Round to closest size

*Strikes NOT available in Distressed finishes, non-distressed equivalents 402=102, 452=152

Deadlock Strike & Dust Box



Finish: 003, 031, 033, 044, 050, 055, 056, 060, 076, 102, 112, 190, 260

Deadlock Strike

Item #	Function	Price
6042.xxx	Deadlock function strike for 6000 & 6800 only	\$45

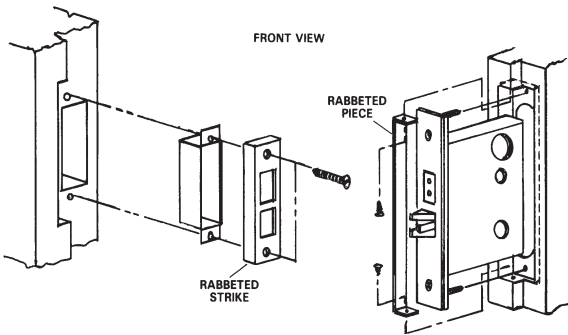
- Use with lock functions incorporating a deadlock
- Available for 6000 Series and 6800 Series locks only

DUST BOX

Item #	Description	Price
6001.000	Dust Box (included with all Mortise Locks)	\$7

- Designed to conceal installation cut-outs and marks behind strikes.
- Box measures 1" (25mm) deep for use with all lock functions and strikes.
- Furnished standard with all mortise locks illustrated within this section.

Rabbeted Door Strike



Finish: 003, 031, 033, 044, 050, 055, 056, 060, 076, 102, 112, 190, 260

Item #	Function	Price
6897.xxx	1.5", 2", 2.5" backset, RABBETED strike	\$153

Used with all 1.5" (38mm), 2" (51mm), 2.5" (64mm) backset locks (6300, 6800 Series)

FEATURES: Rabbeted strikes and pieces are used on pairs of doors that have a meeting rail which is rabbeted or on single doors that have a rabbeted frame. The strike is designed to fit in a .5" (13mm) rabbet; a separate rabbeted piece conforms to the face of the lock. This rabbeted assembly is available for locks with 1.25" (32mm) wide fronts only.

SIZES: Strike 1" x 5" (25 x 127mm) (Non-Handed); Rabbeted Piece: .5" x 8" (13 x 203mm)

IMPORTANT NOTES:

1. RABBETED STRIKE AND PIECE ARE ONLY AVAILABLE FOR 1.75" (44mm) DOORS.
2. When a rabbeted strike is ordered in conjunction with a keyed function lock, a steel security strike is NOT supplied.

PACKED: One complete set in a box with appropriate fasteners.

ORDERING INSTRUCTIONS: 6897 — Used with all 1.5" (38mm), 2" (51mm), 2.5" (64mm) backset locks (6300, 6800 Series). All locks which are furnished standard with a 1" (25mm) wide front must be ordered with a 1.25" (32mm) wide front.

NOT AVAILABLE for 2.75" backset locks

Armored Fronts

6000 Series

- For use on 6000 Series Locks (2.75" backset only)
- 1.25" (32mm) wide front and .625" (16mm) wide latch bolt

1.25"	6010.xxx.0004 Latch/Deadbolt
	6021.xxx.0004 Latch/Deadbolt/Stops
	6060.xxx.0004 Latch/Auxiliary Latch/Stops
	6065.xxx.0004 Latch/Auxiliary Latch
	6080.xxx.0004 Latch/Auxiliary Latch/Deadbolt/Stops
	6091.xxx.0004 Latch/Auxiliary Latch/Deadbolt
	6110.xxx.0004 Latch
	6150.xxx.0004 Deadbolt

6300 Series

- For use on 6300 Series Locks (2.5" backset only)
- 1.25" (32mm) wide front and .5" (13mm) wide latch bolt

1.25"	6301.xxx.0004 Latch/Deadbolt/Stops
	6310.xxx.0004 Latch/Deadbolt
	6318.xxx.0004 Latch

1" (25mm)

1"	6301.xxx.0084 Latch/Deadbolt/Stops
	6310.xxx.0084 Latch/Deadbolt
	6318.xxx.0084 Latch

6800 Series

- For use on 6800-6802 Series Locks (1.5" and 2" backset)
- 1.25" (32mm) wide front and .5" (13mm) wide latch bolt

1.25"	6150.xxx.0004 Deadbolt
	6800.xxx.0004 Latch/Deadbolt/Stops
	6810.xxx.0004 Latch/Dead Bolt
	6855.xxx.0004 Latch

1" (25mm)

1"	6150.xxx.0084 Deadbolt
	6800.xxx.0084 Latch/Deadbolt/Stops
	6810.xxx.0084 Latch/Deadbolt
	6855.xxx.0084 Latch

Armored Fronts

Removable armored fronts protect the lock against tampering of the cylinder yoke assembly. Available in all matching finishes of mortise locks.

ORDERING INSTRUCTIONS: Specify part number indicated below and finish required.

Finish: 003, 031, 033, 044, 050, 055, 056, 060, 076, 102, 112, 190, 260

1.25" Armored Fronts – standard for 2.5" & 2.75" backset mortise locks

Item #	Function	Price
6010.xxx.0004	Latch/Deadbolt	\$45
6021.xxx.0004	Latch/Deadbolt/Stops	\$45
6060.xxx.0004	Latch/Auxiliary Latch/Stops	\$45
6065.xxx.0004	Latch/Auxiliary Latch	\$45
6080.xxx.0004	Latch/Auxiliary Latch/Deadbolt/Stops	\$45
6091.xxx.0004	Latch/Auxiliary Latch/Deadbolt	\$45
6110.xxx.0004	Latch	\$45
6150.xxx.0004	Deadbolt	\$45
6301.xxx.0004	Latch/Deadbolt/Stops	\$45
6310.xxx.0004	Latch/Deadbolt	\$45
6318.xxx.0004	Latch	\$45
6800.xxx.0004	Latch/Deadbolt/Stops	\$45
6810.xxx.0004	Latch/Deadbolt	\$45
6855.xxx.0004	Latch	\$45

1" Armored Fronts – standard for 1.5" & 2" backset mortise locks

Item #	Function	Price
6301.xxx.0084	Latch/Deadbolt/Stops	\$45
6310.xxx.0084	Latch/Deadbolt	\$45
6318.xxx.0084	Latch	\$45
6150.xxx.0084	Deadbolt	\$45
6800.xxx.0084	Latch/Deadbolt/Stops	\$45
6810.xxx.0084	Latch/Deadbolt	\$45
6855.xxx.0084	Latch	\$45

*Strikes NOT available in 402 Distressed finish, non-distressed equivalent 402=102

MORTISE LOCKS

A - .0625" (1.5mm) 6755 - Cylinder Collar	6502 - Lakeshore	.375"	G	6793 - Nashville	.125"	C
	6506 - Houston	.435"	H	6794 - Concord	.25"	E
	6513 - Minneapolis	.375"	G	6795 - Lexington	.3125"	F
C - .125" (3mm) 6547 - Nashville 6768 - Cylinder Collar 6793 - Nashville	6526 - Kensington (Mort)	.5625"	I	6797 - Springfield	.09"	B
	6530 - Santa Monica	.375"	G	6798 - Springfield	.3125"	F
	6535 - Hollywood Hills Escutcheon	0.375"	G	6915 - Santa Monica	.435"	H
	6542 - Tremont	.75"	J	6921 - Palm Springs	0.57"	H1
	6544 - Hamilton	.75"	J	6939 - Bristol Lever Set	.25"	E
	6546 - Wilmington	.3125"	F	6942 - Bismark	.125"	C
	6547 - Nashville	.125"	C	6944 - Pasadena	.435"	G
	6552 - Baltimore	.1875"	D	6945 - Hollywood Hills	0.375"	G
	6554 - Barclay	.375"	G	6946 - Hollywood Hills	.375"	G
	6560 - Lexington	.3125"	F	6950 - Kensington	.3125"	F
D - .1875" (5mm) 6552 - Baltimore 6767 - Baltimore 8300 - Cylinder Collar (1/8" Adj.)	6571 - Concord	.25"	E	6952 - Edinburgh	.435"	H
	6573 - Springfield	.3125"	F	6962 - Fenwick	.435"	H
	6616 - Palm Springs Handle	.53"	H1	6963 - Bristol Handle Set	.375"	G
	6620 - Minneapolis	.375"	G	6966 - Lakeshore Handleset	.375"	G
	6626 - Springfield Handle Set	.3125"	F	6971 - Gramercy Mortise	.375"	G
	6641 - Pasadena	.375"	G	6972 - Gramercy Knurled	.375"	G
	6642 - Escutcheon	.09"	B	6973 - Houston Entrance Set	.435"	H
	6715 - Palm Springs Escutcheon	.53"	H1	6975 - Escutcheon	.125"	C
	6737 - Cylinder Collar	.25"	E	6976 - Minneapolis	.375"	G
	6738 - Cylinder Collar	.375"	G	6977 - Minneapolis	.375"	G
E - .25" (6mm) 6571 - Concord 6737 - Cylinder Collar 6794 - Concord	6739 - Cylinder Collar	.375"	G	6986 - Bismark	.125"	C
	6743 - Cylinder Collar	.375"	G	6991 - Barclay/Bristol	.25"	E
	6754 - Cylinder Collar	.3125"	F	8300 - Cylinder Collar	.1875"	D
	6755 - Cylinder Collar	.625"	A	8300 - Cylinder Collar	.25"	E
	6757 - Cylinder Collar	.3125"	F	8300 - Cylinder Collar	.3125"	F
	6763 - Escutcheon	.09"	B	M502 - Cody 3/4 escutcheon	.54"	H1
	6765 - Escutcheon	.1875"	D	M504 - Cody full escutcheon	.54"	H1
	6767 - Baltimore	.1875"	D	M512 - Boulder 3/4 escutcheon	.54"	H1
	6768 - Cylinder Collar	.125"	C	M514 - Boulder full escutcheon	.54"	H1
	6789 - Edinburgh	.435"	H	M516 - Soho 3/4 escutcheon	.54"	H1
F - .3125" (8mm) 6560 - Lexington 6573 - Springfield 6754 - Cylinder Collar 6757 - Cylinder Collar 6790 - Kensington	6790 - Kensington	.3125"	F	M522 - Bethpage	.54"	H1
	6791 - Hamilton	.75"	J			
	6743 - Cylinder Collar					
	6945 - Hollywood Hills					
	6963 - Bristol Handle Set					
	6966 - Lakeshore Handleset					
	6976 - Minneapolis					
	6977 - Minneapolis					
	6946 - Hollywood Hills					
	6971 - Gramercy Mortise					
6972 - Gramercy Knurled						
G - .375" (10mm) 6502 - Lakeshore 6513 - Minneapolis 6530 - Santa Monica 6535 - Hollywood Hills Escutcheon 6554 - Barclay 6620 - Minneapolis 6915 - Santa Monica 6944 - Pasadena 6738 - Cylinder Collar 6739 - Cylinder Collar	6743 - Cylinder Collar					
	6945 - Hollywood Hills					
	6963 - Bristol Handle Set					
	6966 - Lakeshore Handleset					
	6976 - Minneapolis					
	6977 - Minneapolis					
	6946 - Hollywood Hills					
	6971 - Gramercy Mortise					
	6972 - Gramercy Knurled					
H - .435" (11mm) 6506 - Houston 6789 - Edinburgh 6952 - Edinburgh 6962 - Fenwick 6973 - Houston Entrance Set						
H1 - .53" (12mm) M502 - Cody 3/4 escutcheon M504 - Cody full escutcheon M512 - Boulder 3/4 escutcheon M514 - Boulder full escutcheon M516 - Soho 3/4 escutcheon	M522 - Bethpage					
	6616 - Palm Springs Handleset					
	6715 - Palm Spring Escutcheon					
	6921 - Palm Spring full escutcheon					
J - .75" (18mm) 6542 - Tremont 6544 - Hamilton 6791 - Hamilton						

DECIMAL FRACTION CHART

FRACTION	DECIMAL
1/16"	.0625"
1/8"	.125"
3/16"	.1875"
1/4"	.25"
5/16"	.3125"
3/8"	.375"
7/16"	.4375"
1/2"	.5"
9/16"	.5625"
5/8"	.625"
11/16"	.6875"
3/4"	.75"
13/16"	.8125"
7/8"	.875"

*Cylinders NOT available in Distressed finishes, non-distressed equivalents 402=102, 452=152

Single Cylinder - C Keyway

Door Thickness	1.375"		1.75"		2"		2.25"		2.5"		2.75"		3"	
Lock Trim Thickness	Cylinder Length	Blocking Ring	Cylinder Length	Blocking Ring	Cylinder Length	Blocking Ring	Cylinder Length	Blocking Ring	Cylinder Length	Blocking Ring	Cylinder Length	Blocking Ring	Cylinder Length	Blocking Ring
A - .0625"	1" 8321.xxx	.250" 8440.xxx.6	1" 8321.xxx	—	1.125" 8322.xxx	—	1.25" 8323.xxx	—	1.375" 8324.xxx	—	1.375"	—	1.5"	—
B - .0937"	1" 8321.xxx	.1875" 8440.xxx.5	1" 8321.xxx	—	1.125" 8322.xxx	—	1.25" 8323.xxx	—	1.375" 8324.xxx	—	1.375"	—	1.5"	—
C - .125"	1" 8321.xxx	.1875" 8440.xxx.4	1.125" 8322.xxx	—	1.125" 8322.xxx	—	1.25" 8323.xxx	—	1.375" 8324.xxx	—	1.5"	—	1.625"	—
D - .1875"	1" 8321.xxx	.125" 8440.xxx.3	1.125" 8322.xxx	—	1.25" 8323.xxx	—	1.375" 8324.xxx	—	1.5" 8325.xxx	—	1.5"	—	1.625"	—
E - .25"	1" 8321.xxx	—	1.125" 8323.xxx	—	1.25" 8323.xxx	—	1.375" 8324.xxx	—	1.5" 8325.xxx	—	1.625"	—	1.75"	—
F - .3125"	1" 8322.xxx	—	1.25" 8323.xxx	—	1.375" 8324.xxx	—	1.5" 8325.xxx	—	1.625" 8326.xxx	—	1.625"	—	1.75"	—
G - .375"	1.125" 8322.xxx	—	1.25" 8323.xxx	—	1.375" 8324.xxx	—	1.5" 8325.xxx	—	1.625" 8326.xxx	—	1.75"	—	2"	.125" 8440 xxx.3
H - .435"	1.125" 8322.xxx	—	1.375" 8324.xxx	—	1.5" 8325.xxx	—	1.625" 8326.xxx	—	1.625" 8327.xxx	—	1.75"	—	2"	—
H1 - .53"	1.125" 8322.xxx	—	1.5" 8325.xxx	—	1.625" 8326.xxx	—	.5" 8327.xxx	—	1.625" 8327.xxx	—	2"	—	2"	—
I - .56"	1.125" 8322.xxx	—	1.5" 8325.xxx	—	1.625" 8326.xxx	—	1.75" 8327.xxx	—	1.75" 8327.xxx	—	2"	—	2"	—
J - .75"	1.5" 8325.xxx	—	1.625" 8326.xxx	—	1.75" 8327.xxx	—	2" 8328.xxx	.125" 8440 xxx.3	2" 8328.xxx	—	2.25"	.125" 8440 xxx.3	2.25"	—

Finish: 003, 031, 033, 044, 050, 055, 056, 060, 076, 102, 112, 190, 260, M02

Item #	Description	Price
8321.xxx	1" Mortise Cylinder	\$82
8322.xxx	1.125" Mortise Cylinder	\$82
8323.xxx	1.25" Mortise Cylinder	\$82
8324.xxx	1.375" Mortise Cylinder	\$82
8325.xxx	1.5" Mortise Cylinder	\$82
8326.xxx	1.625" Mortise Cylinder	\$169
8327.xxx	1.75" Mortise Cylinder	\$169
8328.xxx	2" Mortise Cylinder	\$169
8329.xxx	2.25" Mortise Cylinder	\$169
8330.xxx	2.5" Mortise Cylinder	\$169

Hotel function cylinders: Add "H" to end. \$25 list Adder. When ordering cylinders for G-SERIES MORTISE LOCKS, use this chart, but add a suffix ".EMHT" to the end of the Item # (same price as standard C keyway cylinders).

QuickShip cylinder is only for 1.75" Thick Doors. Other mortise lock components, including thick door kits and locks less strikes are available with standard lead times.

EXAMPLE: Lifetime Polished Brass 1.25" cylinder for G-series mortise 8323.003.EMHT

8321-8330



Double Cylinder - C Keyway

Door Thickness	1.375"		1.75"		2"		2.25"		2.5"		2.75"		3"	
	Cylinder Length	Blocking Ring	Cylinder Length	Blocking Ring	Cylinder Length	Blocking Ring	Cylinder Length	Blocking Ring	Cylinder Length	Blocking Ring	Cylinder Length	Blocking Ring	Cylinder Length	Blocking Ring
A - .0625"	1" 8321.xxx.DBL	.2812" + 8440.xxx.28.5	1" 8321.xxx.DBL	.0937" + 8440.xxx.2	1" 8321.xxx.DBL	—	1.125" 8322.xxx.DBL	—	1.25" 8323.xxx.DBL	—	1.375"	—	1.5"	—
B - .0937"	1" 8321.xxx.DBL	.25" + 8440.xxx.6	1" 8321.xxx.DBL	.125" 8440.xxx.3	1" 8321.xxx.DBL	—	1.125" 8322.xxx.DBL	—	1.25" 8323.xxx.DBL	—	1.375"	—	1.5"	—
C - .125"	1" 8321.xxx.DBL	.25" + 8440.xxx.6	1" 8321.xxx.DBL	.0625" 8440.xxx.1	1.125" 8322.xxx.DBL	.0625" 8440.xxx.1	1.25" 8323.xxx.DBL	.0625" 8440.xxx.1	1.375" 8324.xxx.DBL	.0625" 8440.xxx.1	1.375"	—	1.5"	—
D - .1875"	1" 8321.xxx.DBL	.1562" + 8440.xxx.4	1.125" 8322.xxx.DBL	.0937" + 8440.xxx.2	1.125" 8322.xxx.DBL	—	1.25" 8323.xxx.DBL	—	1.375" 8324.xxx.DBL	—	1.5"	—	1.625"	—
E - .25"	1" 8321.xxx.DBL	.0937" + 8440.xxx.2	1.125" 8322.xxx.DBL	.0625" 8440.xxx.1	1.25" 8323.xxx.DBL	.0625" 8440.xxx.1	1.375" 8324.xxx.DBL	.0625" 8440.xxx.1	1.5" 8325.xxx.DBL	.0625" 8440.xxx.1	1.5"	—	1.625"	—
F - .3125"	1" 8321.xxx.DBL	.0625" 8440.xxx.1	1.25" 8323.xxx.DBL	.0937" + 8440.xxx.2	1.25" 8323.xxx.DBL	—	1.375" 8324.xxx.DBL	—	1.5" 8325.xxx.DBL	—	1.625"	—	1.75"	—
G - .375"	1" 8321.xxx.DBL	—	1.25" 8323.xxx.DBL	.0625" 8440.xxx.1	1.375" 8324.xxx.DBL	.0625" 8440.xxx.1	1.5" 8325.xxx.DBL	.0625" 8440.xxx.1	1.625" 8326.xxx.DBL	.0625" 8440.xxx.1	1.625"	—	1.75"	—
H - .435"	1" 8321.xxx.DBL	—	1.25" 8323.xxx.DBL	—	1.375" 8324.xxx.DBL	—	1.5" 8325.xxx.DBL	—	1.625" 8326.xxx.DBL	—	1.75"	—	2"	.125" +
H1 - .53"	1.125" 8322.xxx	—	1.375" 8324.xxx.DBL	—	1.5" 8325.xxx.DBL	.0625" 8440.xxx.1	1.625" 8326.xxx.DBL	—	1.75" 8327.xxx.DBL	—	2"	.125" +	2"	—
I - .5625"	1.125" 8322.xxx.DBL	—	1.375" 8324.xxx.DBL	—	1.5" 8325.xxx.DBL	—	1.625" 8326.xxx.DBL	—	1.75" 8327.xxx.DBL	—	2"	.125" +	2"	—
J - .75"	1.5" 8325.xxx.DBL	.0937" + 8440.xxx.2	1.625" 8326.xxx.DBL	.0625" 8440.xxx.1	1.75" 8327.xxx.DBL	.0625" 8440.xxx.1	2" 8328.xxx.DBL	.1562" + 8440.xxx.4	2" 8328.xxx.DBL	.0625" 8440.xxx.1	2"	—	2.25"	.0625"
F - .3125" Exterior	1" 8321.xxx	—	1.125" 8322.xxx	—	1.25" 8323.xxx	—	1.375" 8324.xxx	—	1.5" 8325.xxx	—	1.625"	—	1.75"	—
K - .875" Exterior	1.5" 8325.xxx	—	1.75" 8327.xxx	—	2" 8328.xxx	.125" 8440.xxx.3	2" 8328.xxx	—	2.25" 8329.xxx	.125" 440.xxx.3	2.25"	—	2.25"	—

Finish: 003, 031, 033, 044, 050, 055, 056, 060, 076, 102, 112, 190, 260

Item #	Description	Price
8321.xxx.DBL	1" Double Cylinder	\$161
8322.xxx.DBL	1.125" Double Cylinder	\$161
8323.xxx.DBL	1.25" Double Cylinder	\$161
8324.xxx.DBL	1.375" Double Cylinder	\$161
8325.xxx.DBL	1.5" Double Cylinder	\$161
8326.xxx.DBL	1.625" Mortise Cylinder	\$336
8327.xxx.DBL	1.75" Mortise Cylinder	\$336
8328.xxx.DBL	2" Mortise Cylinder	\$336
8329.xxx.DBL	2.25" Mortise Cylinder	\$336
8330.xxx.DBL	2.5" Mortise Cylinder	\$336

Blocking Rings

8440



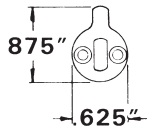
Finish: 003, 031, 033, 044, 050, 055, 056, 060, 076, 102, 112, 190, 260, M02

Item #	Description	Price
8440.xxx.001	.0625" - 1/16" B.R.	\$22
8440.xxx.002	.0937" - 3/32" B.R.	\$22
8440.xxx.003	.125" - 1/8" B.R.	\$22
8440.xxx.004	.1562" - 5/32" B.R.	\$22
8440.xxx.005	.1875" - 3/16" B.R.	\$22
8440.xxx.006	.25" - 1/4" B.R.	\$22

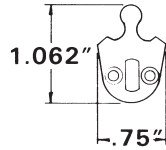
+ Two Blocking Rings Required

Cams for Mortise Cylinders

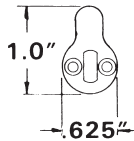
Adams Rite Cam



Emhart Cam



Standard Cam



Item #	Description	Finish	Price
8300.509.AR	Adams Rite Cam	509	\$12
8300.509.EMHT	Emhart Cam	509	\$12
8300.509.STD	Standard Cam	509	\$12

ADAMS RITE CAM

Thickness: .0625" (2mm)
For Adams Rite Series 1800, 4093, 4500.

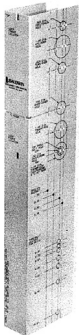
EMHART CAM

Thickness: .0625" (2mm)
For use with Emhart Mortise type locks.

STANDARD CAM

Thickness: .0625" (2mm)
For use with most manufacturers of Mortise type locks.

Residential Trim Making Template

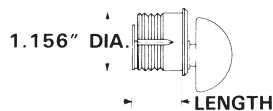
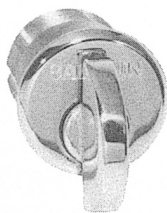


Item #	Description	Price
8498.000	Residential trim marking template – 2.75" doors	\$76

Features: To eliminate face drilling errors with Residential Trim shown in this section, Baldwin offers an economical metal template to ensure precision hold alignment. The template is designed to easily slide over a 1.75" (44mm) door and engages into the mortise cutout. The hole positions mark the center of the specific bore locations. Before marking hole positions, ALWAYS check to verify that metal template is square to mortise cutout. Mark hole locations accordingly and remove template.

MORTISE LOCKS

Mortise Lock Turn Piece Cylinders



Finish: 003, 031, 033, 044, 050, 055, 056, 060, 076, 102, 112, 190, 260

Item #	Description	Price
8441.xxx	1" Turn Knob Cylinder	\$161
8442.xxx	1.125" Turn Knob Cylinder	\$161
8443.xxx	1.25" Turn Knob Cylinder	\$161
8444.xxx	1.625" Turn Knob Cylinder	\$161

Mortise Lock Turn Piece Cylinders

Features: Used for specific conditions when operation by turn piece is required in place of a key. Available only with 6720 T-knob attached. Not handed.

Cylinder Trim

Cylinder Not Included

Finish: 003, 031, 033, 044, 050, 055, 056, 060, 076, 102, 112, 190, 260, 402

Item #	Description	
6737.xxx	Square Cylinder Collar	\$66
6738.xxx	Contemporary Round Collar	\$66
6739.xxx	Lakeshore Cylinder Collar	\$66
6743.xxx	Contemporary Square Collar	\$66
6754.xxx	Oval Cylinder Collar	\$66
6757.xxx	Colonial Cylinder Collar	\$66
6761.xxx	Dummy Cylinder	\$66
6768.xxx	Beaded Cylinder Collar	\$66
6755.xxx	Cylinder Lock Cover Plate	\$140
8300.xxx	Compression Cylinder Collar**	\$25
8314.xxx	Wrought Cylinder Collar**	\$21

**8300 & 8314 NOT available in Distressed finishes

NOTE: Cylinder collars are only for mortise cylinders and will not work on tubular deadbolts.

6737

2.5" x 2.5" x .25" projection - E (64 x 64mm)



6738

1.75" dia. x .375" projection - G



6739

1.9" x 1.9" x .375" projection - G



6743

2" x 2" x .375" projection - G



6754

1.687" x 3" x .3125" projection - F (43 x 76mm)



6755

1.625" x 2.375" x .3125" projection - A (41 x 60mm)

NOTE: Prepared to fit Baldwin mortise or trim cylinders only.



6757

1.75" projection - F (44mm) dia.



6761

For use with escutcheons and sectional trim for symmetrical appearance on pairs of doors.



6768

1.75" projection - C (44mm) dia.



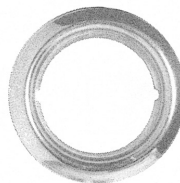
8300

Compression Cylinder Collar
Projection D-E-F

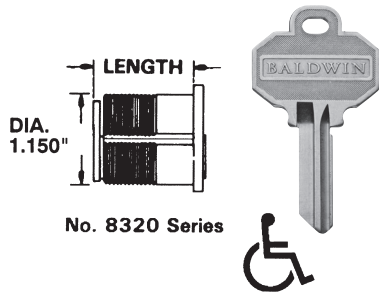


8314

Standard Rim Cylinder Collar
Diameter: 1.945" (49mm)
Thickness: .030 (.8mm)
Adjustment Range: None



Mortise Lock Cylinders



Length of Mortise Cylinders:

The length of a Baldwin cylinder is the measurement from the back edge of the cylinder cap to the outer surface of the cam as illustrated.

Item Number	Cylinder Length	
C(03) Keyway		
8321	1"	(25mm)
8322	1.125"	(29mm)
8323	1.25"	(32mm)
8324	1.375"	(35mm)
8325	1.5"	(38mm)
8326	1.625"	(41mm)
8327	1.75"	(44mm)
8328	2"	(51mm)
8329	2.25"	(57mm)
8330	2.5"	(64mm)

Features: Baldwin 6 pin (5 pin for 1" [25mm]) precision mortise cylinders are made of solid extruded brass. Finish is applied to cap only. When ordered separately, cylinders are supplied with 2 nickel silver keys. Cam 8300.509.STD is furnished. Cams illustrated on page 154 can be ordered at additional charge. Cylinder lengths greater than 1.5" (38mm) are not available for E(05) and F(06) keyway Cylinders.

Keying Requirements: Available in a multitude of keying arrangements including Master, Grand Master and Construction Keying Levels.

Ordering Instructions:

Standard Mortise Cylinder: Specify item number and finish.

Hotel Mortise Cylinder: Specify item number, finish with suffix "H".

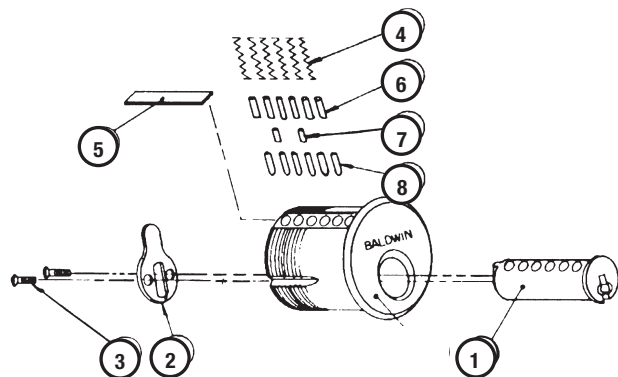
Cylinder price includes all MK charges and standard key bow.

Cylinder is available with 6 pin keying only.

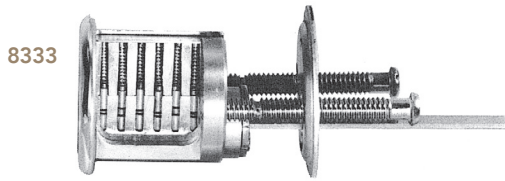
MORTISE LOCKS

- No. 1** – 8320.XXX.003 – Series cylinder plug. Specify length required and either US4 or 26D finish.
- No. 2** – 8300.509.STD – Cylinder Cam Standard
- No. 3** – 8300.509.004 – Mounting Screws for cam
- No. 4** – 8300.109.005 – Tumbler Springs
- No. 5** – 8300.009.0066 – Spring Covers (6 pin)
- No. 6** – 8320.009.101 – Top Pins (For Bottom Pins #0-#3)
8320.009.102 – Top Pins (For Bottom Pins #4-#6)
8320.009.103 – Top Pins (For Bottom Pins #7-#9)
- No. 7** – 8320.009.202 #2 Master Pins - .0295" (0.749mm)
8320.009.203 #3 Master Pins - .0445" (1.130mm)
8320.009.204 #4 Master Pins - .0595" (1.511mm)
8320.009.205 #5 Master Pins - .0745" (1.892mm)
8320.009.206 #6 Master Pins - .0895" (2.273mm)
8320.009.207 #7 Master Pins - .1045" (2.654mm)
8320.009.208 #8 Master Pins - .1195" (3.035mm)
8320.009.209 #9 Master Pins - .1345" (3.416mm)
- No. 8** – 8320.152.300 #0 Bottom Pins - .1655 (4.204mm)

- 8320.152.301 #1 Bottom Pins - .1805" (4.585mm)
- 8320.152.302 #2 Bottom Pins - .1955" (4.966mm)
- 8320.152.303 #3 Bottom Pins - .2105" (5.347mm)
- 8320.152.304 #4 Bottom Pins - .2255" (5.728mm)
- 8320.152.305 #5 Bottom Pins - .2405" (6.109mm)
- 8320.152.306 #6 Bottom Pins - .2555" (6.489mm)
- 8320.152.307 #7 Bottom Pins - .2705" (6.871mm)
- 8320.152.308 #8 Bottom Pins - .2855" (7.252mm)
- 8320.152.309 #9 Bottom Pins - .3005" (7.633mm)



Rim Lock Cylinders & Tailpiece Bars



8333 – C(03) Keyway



Finish: 003, 031, 033, 044, 050, 055, 056, 060, 076, 102 112, 190, 260

Item #	Description	Keyway	Price
8333.xxx	Rim Cylinder	C	\$111

Features: Baldwin 6 pin precision Rim Cylinders are made of solid extruded brass. Finish is applied to cap only. When ordered separately, Cylinders are supplied with 2 nickel silver keys. Tailpiece 8313.329.TPH1 is furnished. C(03) Keyway Cylinders are furnished standard with rim locks unless otherwise specified. Consult price list.

Keying Requirements: Available in a multitude of keying arrangements including Master, Grand Master and Construction Keying Levels.

Cylinder Collar: Cylinder Collars are furnished standard with all keyed rim locks.

Ordering Instructions: Standard Rim Cylinder: Specify item number and finish.

Weight Each: .3 lb. (.14kg)

Tailpiece Bars for Rim Cylinders

Item #	Description	329	Price
8313.329.TPH1	Rim cylinder tailpiece (regular – 2.22")	(329 finish only)	\$12
8313.329.TPH2	Rim cylinder tailpiece (long – 3.1875")	(329 finish only)	\$12

Note: TPH1 supports door thickness between 1 3/4" - 2"
TPH2 supports door thickness between 2 1/4" to 2 1/2"

Rim Cylinder Tailpiece



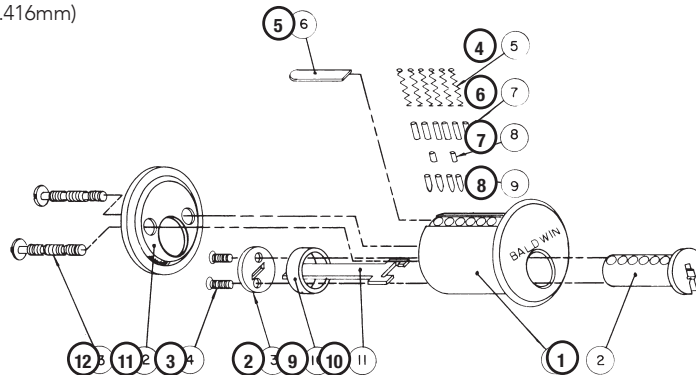
Tailpiece Bars For Rim Cylinders

Horizontal
8313.329.TPH1 – 2.2188" (56mm)
8313.329.TPH2 – 3.1875" (81mm)

MORTISE LOCKS

- No. 1 –** 8333.XXX.003 – Cylinder plug. Specify either US4 or 26D finish.
- No. 2 –** 8333.009.007 – Tailpiece Plate
- No. 3 –** 8300.509.004 – Mounting Screws for Tailpiece
- No. 4 –** 8300.109.005 – Tumbler Springs
- No. 5 –** 8300.009.0066 – Spring Covers (6 pin)
- No. 6 –** 8320.009.101 – Top Pins (For Bottom Pins #0–#3)
8320.009.102 – Top Pins (For Bottom Pins #4–#6)
8320.009.103 – Top Pins (For Bottom Pins #7–#9)
- No. 7 –** 8320.009.202 #2 Master Pins - .0295" (0.749mm)
8320.009.203 #3 Master Pins - .0445" (1.130mm)
8320.009.204 #4 Master Pins - .0595" (1.511mm)
8320.009.205 #5 Master Pins - .0745" (1.892mm)
8320.009.206 #6 Master Pins - .0895" (2.273mm)
8320.009.207 #7 Master Pins - .1045" (2.654mm)
8320.009.208 #8 Master Pins - .1195" (3.035mm)
8320.009.209 #9 Master Pins - .1345" (3.416mm)

- No. 8 –** 8320.152.300 #0 Bottom Pins - .1655" (4.204mm)
8320.152.301 #1 Bottom Pins - .1805" (4.585mm)
8320.152.302 #2 Bottom Pins - .1955" (4.966mm)
8320.152.303 #3 Bottom Pins - .2105" (5.347mm)
8320.152.304 #4 Bottom Pins - .2255" (5.728mm)
8320.152.305 #5 Bottom Pins - .2405" (6.109mm)
8320.152.306 #6 Bottom Pins - .2555" (6.489mm)
8320.152.307 #7 Bottom Pins - .2705" (6.871mm)
8320.152.308 #8 Bottom Pins - .2855" (7.252mm)
8320.152.309 #9 Bottom Pins - .3005" (7.633mm)
- No. 9 –** 8333.009.010 Spacer
- No. 10 –** 8313.329.TPH1 Tailpiece – Horizontal (Regular)
8313.329.TPH2 Tailpiece – Horizontal (Long)
- No. 11 –** 8313.509.008 Mounting Plate
- No. 12 –** 8313.509.009 Mounting Screws



*Cylinders NOT available in Distressed finishes, non-distressed equivalents 402=102, 452=152

Key Blanks

			Price
K	8335.152	5-pin standard key blank, C (03) keyway, 50/box	\$5
K	8335.152.CK	Construction key	\$13
K	8335.152.CUTK	Cut keys ordered separately	\$17
K	8335.152.GGGM	Great great grand master keys	\$35
K	8335.152.GGMK	Great grand master keys	\$35
K	8335.152.GMK	Grand master keys	\$35
K	8335.152.MK	Master keys	\$35
K	8335.152.XTRAKK	Extra Key Cut	\$13

K	8336.152	6-pin key blank, C (03) keyway, 50/box	\$5
K	8336.152.CK	Construction key	\$13
K	8336.152.CUTK	Cut keys ordered separately	\$17
K	8336.152.GGGM	Great great grand master keys	\$35
K	8336.152.GGMK	Great grand master keys	\$35
K	8336.152.GMK	Grand master keys	\$35
K	8336.152.MK	Master keys	\$35
K	8336.152.SKD	Single keyed different	\$35

K	8337.152	6-pin hotel large bow (2") key blank C (03) keyway	\$15
K	8337.152.CK	Construction key	\$13
K	8337.152.CUTK	Cut keys ordered separately	\$17
K	8337.152.GGGM	Great great grand master keys	\$35
K	8337.152.GGMK	Great grand master keys	\$35
K	8337.152.GMK	Grand master keys	\$35
K	8337.152.HOTL	Hotel key bow	\$14
K	8337.152.MK	Master keys	\$35

K	8355.152	5-pin standard key blank, E (05) keyway, 50/box	\$7
K	8355.152.CK	Construction key	\$13
K	8355.152.CUTK	Cut keys ordered separately	\$17
K	8355.152.GGGM	Great great grand master keys	\$35
K	8355.152.GGMK	Great grand master keys	\$35
K	8355.152.GMK	Grand master keys	\$35
K	8355.152.MK	Master keys	\$35

K	8356.152	6-pin key blank, E (05) keyway, 50/box	\$7
K	8356.152.CK	Construction key	\$13
K	8356.152.CUTK	Cut keys ordered separately	\$17
K	8356.152.GGGM	Great great grand master keys	\$35
K	8356.152.GGMK	Great grand master keys	\$35
K	8356.152.GMK	Grand master keys	\$35
K	8356.152.MK	Master keys	\$35

K	8375.152	5-pin key blank, E (06) keyway, 50/box	\$7
K	8375.152.CK	Construction key	\$13
K	8375.152.CUTK	Cut keys ordered separately	\$17
K	8375.152.GGGM	Great great grand master keys	\$35
K	8375.152.GGMK	Great grand master keys	\$35
K	8375.152.GMK	Grand master keys	\$35
K	8375.152.MK	Master keys	\$35

K	8376.152	6-pin key blank, F (06) keyway, 50/box	\$7
K	8376.152.CK	Construction key	\$13
K	8376.152.CUTK	Cut keys ordered separately	\$17
K	8376.152.GGGM	Great great grand master keys	\$35
K	8376.152.GGMK	Great grand master keys	\$35
K	8376.152.GMK	Grand master keys	\$35
K	8376.152.MK	Master keys	\$35

*Per cylinder master keying charge \$22
 *Per cylinder construction keying charge \$22

*NOTE: 2 Keys provided per cylinder.

*NOTE: 152 finish in cylinders, locks, and latches is Antique Nickel with matte lacquer.

Price

1B	8490.000.002	No. 10-24 × 3" OH PH MS × 260	Extra long trim thru-bolts	10 ea	\$16
1C	8490.000.003	No. 10-24 × 3" OH PH MS × 030	Extra long trim thru-bolts	10 ea	\$16
2A	8490.000.004	No. 10 × 1" FH PH UC WS × 030	Hinge screws	100 ea	\$57
2B	8490.000.005	No. 12 × 1.25" FH PH UC WS × 030	Hinge screws	100 ea	\$64
3A	8490.000.006	No. 10-24 × .5" FH PH MS × 030	Hinge screws	100 ea	\$65
3B	8490.000.007	No. 12-24 × .5" FH PH MS × 030	Hinge screws	100 ea	\$45
4B	8490.000.010	No. 6 × .625" OH PH SMS × 040	Kick plate screws	200 ea	\$74
8A	8490.000.019	No. 8-32 Combination WS/MS	Bread board screws for cabinet knobs	25 ea	\$77
8B	8490.000.020	No. 6-32 × .375" OH SL MS	Switch plate screws	50 ea	\$25
8D	8490.000.022	No. 8 × .75" FH PH WS	Latch/strike/DM backplate screws	50 ea	\$23
8B	8490.000.023	No. 8 × .375" FH PH SMS	Screws for No. 5097 backplate	100 ea	\$34
9A	8490.000.024	No. 12 × 1" FH PH Comb	Mortise lock screws	50 ea	\$19
9B	8490.000.025	No. 4 × .75" RD SL WS × 040	Lock trim/house number screws	50 ea	\$19
9C	8490.000.026	No. 5 × .625" FH SL WS × 040	Lock trim screws	50 ea	\$46
10A	8490.000.027	No. 6 × .5" OH SL WS × 040	Lock trim screws	100 ea	\$47
10B	8490.000.028	No. 8 × .875" OH PH WS × 040	Lock trim screws	100 ea	\$42
10C	8490.000.029	No. 10 × 2" OH SL WS × 030	Lock trim screws	20 ea	\$39
11C	8490.000.032	No. 8-32 × .218" FH PH UC MS × 030	Lock trim screws	20 ea	\$10
11D	8490.000.033	No. 8-32 × .218" FH PH UC MS × 260	Lock trim screws	20 ea	\$10
11E	8490.000.034	No. 8-32 × .218" FH PH UC MS × 102	Lock trim screws	20 ea	\$10
12A	8490.000.035	No. 10-24 × 2.125" OH PH MS × 030	Trim thru-bolts	20 ea	\$14
13A	8490.000.037	No. .25-20 UNC × .25"	Socket set screws #0561	200 ea	\$123
14A	8490.000.038	No. 8-32 × .5" FH PH MS	Installation plate screws	100 ea	\$54
14B	8490.000.039	No. 6-32 × .25" PAN SL MS	Lock front beveling screws	20 ea	\$10
15A	8490.000.041	Complete yoke assembly	For 2.75" backset locks	2 ea	\$19
15B	8490.000.042	Complete yoke assembly	For 2.5" backset locks	2 ea	\$19
16A	8490.000.043	Stop ball	For all mortise locks	10 ea	\$10
16B	8490.000.044	Stop spring	For all mortise locks	10 ea	\$10
17A	8490.000.045	Turn hub spring	For 2.75" backset mortise locks	5 ea	\$10
18A	8490.000.047	Latch spring	For 2.75" backset locks	5 ea	\$10
18B	8490.000.048	Lift lever spring	For 2.75" backset handleset functions	5 ea	\$10
19A	8490.000.049	Anti-friction hinge pin	All locks with anti-friction latch	10 ea	\$6
19B	8490.000.050	Wear washer	For 2.5" & 2.75" B.S. emergency egress locks	10 ea	\$6
20B	8490.000.052	Hub lever spring	For 2.5" backset locks	5 ea	\$10
21A	8490.000.053	Lift lever spring	For 2.5" backset handleset functions	5 ea	\$10
21B	8490.000.054	Latch spring	For 2.5" backset locks	5 ea	\$10
22A	8490.000.055	Turn hub spring	For 1.5" & 2" backset locks	5 ea	\$10
22B	8490.000.056	Hub lever spring	For 1.5" & 2.0" backset locks	5 ea	\$10
24B	8490.000.060	Cylinder yoke	For 1.5" & 2" backset locks	2 ea	\$10
25A	8490.000.061	Cylinder set screw	For 1.5" backset locks	2 ea	\$6
25B	8490.000.062	Cylinder set screw	For 2.0" backset locks	2 ea	\$10

MORTISE LOCKS

8472.000.001

Cylinder Plug Follower



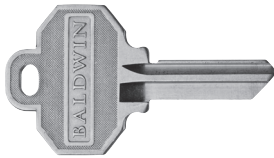
8472.000.002

Tweezers



8472.000.003

Depth Key Set



8480.000

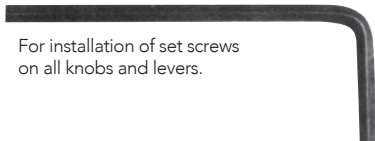
Aligning Tool



For use in proper alignment of knobs, levers, roses and escutcheon with mortise locks/tubular latches.

8481.509.01105

Allen Wrench



For installation of set screws on all knobs and levers.

8484.000

Lock Reversing Block



FEATURES: Provides means to align and secure mortise locks to facilitate reversing of handed internal parts.

PACKED: One in a box.

WEIGHT PER BOX: .9 lb. (.41kg)

Item #	Description	Price
6707.009	Cylinder reinforcing plug	\$13
8472.000.001	Cylinder plug follower included with keying kits	\$16
8472.000.002	Tweezers for gripping cylinder pins included w/8472 kit	\$21
8472.000.003	Depth key set, furnished with 10 keys (0 thru 9 depths)	\$21
8474.000	Alignment bushing (Bag of 50)	\$24
8480.000	Aligning tool. Used to align back plates & escutcheons w/locks	\$18
8481.509.01105	1/8" allen wrench used to tighten set screws	\$18
8484.000	Lock reversing block. Simplifies changing hand of mortise locks	\$25 NET

Keying Kits

Item #	Description	Finish	Price
8471.000	Small keying kit for keying (C) cylinders alike	000	\$161
8472.000	Large keying kit for all (C) keying applications inc. master keying	000	\$750
8320.009.101	#1 top pins (100 each per pack)	009	\$37
8320.009.102	#2 top pins (100 each per pack)	009	\$37
8320.009.103	#3 top pins (100 each per pack)	009	\$37
8320.009.202	#2 master pins (100 each per pack)	009	\$37
8320.009.203	#3 master pins (100 each per pack)	009	\$37
8320.009.204	#4 master pins (100 each per pack)	009	\$37
8320.009.205	#5 master pins (100 each per pack)	009	\$37
8320.009.206	#6 master pins (100 each per pack)	009	\$37
8320.009.207	#7 master pins (100 each per pack)	009	\$37
8320.009.208	#8 master pins (100 each per pack)	009	\$37
8320.009.209	#9 master pins (100 each per pack)	009	\$37
8320.152.300	#0 bottom pins (100 each per pack)	152	\$37
8320.152.301	#1 bottom pins (100 each per pack)	152	\$37
8320.152.302	#2 bottom pins (100 each per pack)	152	\$37
8320.152.303	#3 bottom pins (100 each per pack)	152	\$37
8320.152.304	#4 bottom pins (100 each per pack)	152	\$37
8320.152.305	#5 bottom pins (100 each per pack)	152	\$37
8320.152.306	#6 bottom pins (100 each per pack)	152	\$37
8320.152.307	#7 bottom pins (100 each per pack)	152	\$37
8320.152.308	#8 bottom pins (100 each per pack)	152	\$37
8320.152.309	#9 bottom pins (100 each per pack)	152	\$37
8300.109.005	Tumbler springs	109	\$41
8300.009.0066	Spring covers (6-Pin)	009	\$51
8300.509.STD	Standard cams	509	\$12
8300.509.AR	Adams rite cams	509	\$12
8300.509.004	Cam mounting screws (100 EA per box)	509	\$49
8313.329.TPH1	Tailpiece (regular) for rim lock cylinders	329	\$13
8313.329.TPH2	Tailpiece (long) for rim lock cylinders	329	\$13
8313.509.008	Mounting plate	509	\$5
8313.509.009	Mounting screws	509	\$5
8333.009.007	Tailpiece plate	009	\$7
8333.009.010	Spacer	009	\$7
8472.000.001	Cylinder plug follower	000	\$16
8011.028.0025	Washer	028	\$5
8011.039.0027	Cap	039	\$5
8053.028.TP1	Tailpiece - double cylinder	028	\$5
8053.028.TP2	Tailpiece - emergency exit	028	\$5
8053.028.TP3*	Tailpiece - single cylinder for 1 3/8" door thickness	028	\$5
8053.028.TP4	Tailpiece - single cylinder for 1 3/4" door thickness	028	\$5
8475.000.001	Cap tool	000	\$8
8472.000.004	Shim	000	\$4
8011.039.0023	Pins	039	\$4
8011.109.0022	Springs	109	\$3
8472.000.006	Key gauge	000	\$18
8472.000.002	Tweezers	000	\$57
9940.000.A	Finish demonstrator	000	\$54 NET

***NOTE:** 8053.028.TP3 Tailpiece for doors 1 3/8" thick is not supplied as a standard component of the kit but can be ordered separately.

*SLIDING
DOOR LOCKS*

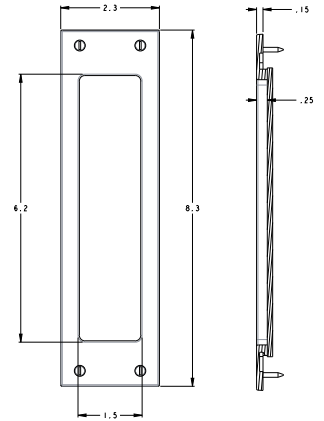




Finish: 003, 031, 033, 044, 050, 055, 056, 060, 076, 102, 112, 190, 260, 402

Item #	Description		Price
SET*	PD005.xxx.ENTR	Entry set with 2.5" backset lock*	Set \$814
	PD005.xxx.PRIV	Privacy set with 2.5" backset lock	Set \$814
	PD005.xxx.PASS	Passage/dummy set with pull	Set \$724
	PD005.xxx.FD	Dummy set for double doors	Set \$765
TRIM	PD005.xxx.PS	Passage Trim - Pair	Pair \$293
	PD005.xxx.IPS	Passage Trim - half pair	Each \$146
	PD005.xxx.KE	Trim with Emergency Release (KE)	Each \$146
	PD005.xxx.KC	Trim Cut for Cylinder (KC)	Each \$146
	PD005.xxx.KT	Interior Trim with Turn Knob (KT)	Each \$195

*Entry set excludes cylinder



Minimum Door Thickness: 1.375"



Sets

	PD005.xxx.PRIV	PD005.xxx.PASS
Exterior Trim	PD005.xxx.KE	PD005.xxx.IPS
Interior Trim	PD005.xxx.KT	PD005.xxx.IPS
Cylinder	N/A	N/A
Mortise Lock	8632.xxx	8601.xxx



Designer

	Privacy	Passage	Entry	Double Door Inactive (Order Privacy for Active Side)
Exterior Trim	PD005.xxx.KE	PD005.xxx.IPS	PD005.xxx.KC	PD005.xxx.IPS
Interior Trim	PD006.xxx.KT	PD007.xxx.IPS	PD006.xxx.KT	PD005.xxx.IPS
Cylinder	N/A	N/A	8320.xxx.EMHT (1.75" door thickness*)	N/A
Mortise Lock	8632.xxx	8601.xxx	8632.xxx	8603.xxx

SLIDING DOOR
LOCKS

*See page 179 for pocket door cylinder table.

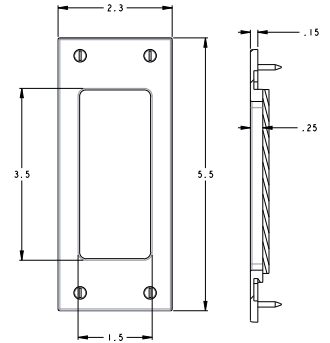
*QUICK SHIP is available in functions and finishes shown in red.



Finish: 003, 031, 033, 044, 050, 055, 056, 060, 076 102, 112, 190, 260, 402

Item #	Description		Price
SET*	PD006.xxx.ENTR	Entry set with 2.5" backset lock*	Set \$760
	PD006.xxx.PRIV	Privacy set with 2.5" backset lock	Set \$760
	PD006.xxx.PASS	Passage/dummy set with pull	Set \$668
	PD006.xxx.FD	Dummy set for double doors	Set \$710
PD006.xxx.PS	Passage Trim - Pair	Pair	\$237
TRIM	PD006.xxx.IPS	Passage Trim - half pair	Each \$118
	PD006.xxx.KE	Trim with Emergency Release (KE)	Each \$118
	PD006.xxx.KC	Trim Cut for Cylinder (KC)	Each \$118
	PD006.xxx.KT	Interior Trim with Turn Knob (KT)	Each \$167

*Entry set excludes cylinder



Minimum Door Thickness: 1.375"

SLIDING DOOR LOCKS



Sets

	PD006.xxx.PRIV	PD006.xxx.PASS
Exterior Trim	PD006.xxx.KE	PD006.xxx.IPS
Interior Trim	PD006.xxx.KT	PD006.xxx.IPS
Cylinder	N/A	N/A
Mortise Lock	8632.xxx	8601.xxx



Designer

	Privacy	Passage	Entry	Double Door Inactive (Order Privacy for Active Side)
Exterior Trim	PD006.xxx.KE	PD006.xxx.IPS	PD006.xxx.KC	PD006.xxx.IPS
Interior Trim	PD006.xxx.KT	PD016.xxx.IPS	PD007.xxx.KT	PD006.xxx.IPS
Cylinder	N/A	N/A	8320.xxx.EMHT (1.75" door thickness*)	N/A
Mortise Lock	8632.xxx	8601.xxx	8632.xxx	8603.xxx

*See page 179 for pocket door cylinder table.

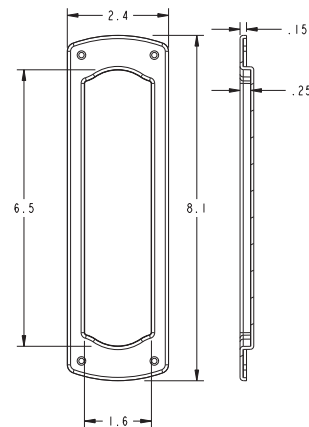
*QUICK SHIP is available in functions and finishes shown in red.



Finish: 003, 031, 033, 044, 050, 055, 056, 060, 076, 102, 112, 190, 260, 402

Item #	Description		Price
SET*	PD007.xxx.ENTR	Entry set with 2.5" backset lock*	Set \$760
	PD007.xxx.PRIV	Privacy set with 2.5" backset lock	Set \$760
	PD007.xxx.PASS	Passage/dummy set with pull	Set \$668
	PD007.xxx.FD	Dummy set for double doors	Set \$710
	PD007.xxx.PS	Passage Trim - Pair	Pair \$237
TRIM	PD007.xxx.IPS	Passage Trim - half pair	Each \$118
	PD007.xxx.KE	Trim with Emergency Release (KE)	Each \$118
	PD007.xxx.KC	Trim Cut for Cylinder (KC)	Each \$118
	PD007.xxx.KT	Interior Trim with Turn Knob (KT)	Each \$167

*Entry set excludes cylinder



Minimum Door Thickness: 1.375"



Sets

	PD007.xxx.PRIV	PD007.xxx.PASS
Exterior Trim	PD007.xxx.KE	PD007.xxx.IPS
Interior Trim	PD007.xxx.KT	PD007.xxx.IPS
Cylinder	N/A	N/A
Mortise Lock	8632.xxx	8601.xxx



Designer	Privacy	Passage	Entry	Double Door Inactive (Order Privacy for Active Side)
Exterior Trim	PD007.xxx.KE	PD007.xxx.IPS	PD007.xxx.KC	PD007.xxx.IPS
Interior Trim	PD007.XXX.KT	PD007.xxx.IPS	PD007.xxx.KT	PD007.xxx.IPS
Cylinder	N/A	N/A	8320.xxx.EMHT (1.75" door thickness*)	N/A
Mortise Lock	8632.xxx	8601.xxx	8632.xxx	8603.xxx

*See page 179 for pocket door cylinder table.

*QUICK SHIP is available in functions and finishes shown in red.

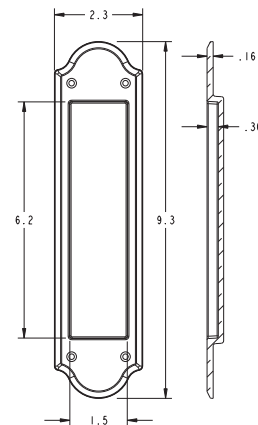


Finish: 003, 031, 033, 044, 050, 055, 056, 060, 076, 102, 112, 190, 260, 402



Item #	Description		
SET*	PD016.xxx.ENTR	Entry set with 2.5" backset lock*	Set \$787
	PD016.xxx.PRIV	Privacy set with 2.5" backset lock	Set \$787
	PD016.xxx.PASS	Passage/dummy set with pull	Set \$696
	PD016.xxx.FD	Dummy set for double doors	Set \$739
	PD016.xxx.PS	Passage Trim - Pair	Pair \$264
TRIM	PD016.xxx.IPS	Passage Trim - half pair	Each \$134
	PD016.xxx.KE	Trim with Emergency Release (KE)	Each \$134
	PD016.xxx.KC	Trim Cut for Cylinder (KC)	Each \$134
	PD016.xxx.KT	interior Trim with Turn Knob (KT)	Each \$182

*Entry set excludes cylinder



Minimum Door Thickness: 1.75"



Sets	PD016.xxx.PRIV	PD006.xxx.PASS
Exterior Trim	PD016.xxx.KE	PD016.xxx.IPS
Interior Trim	PD016.xxx.KT	PD016.xxx.IPS
Cylinder	N/A	N/A
Mortise Lock	8632.xxx	8601.xxx



Designer	Privacy	Passage	Entry	Double Door Inactive (Order Privacy for Active Side)
Exterior Trim	PD016.xxx.KE	PD016.xxx.IPS	PD016.xxx.KC	PD016.xxx.IPS
Interior Trim	PD006.xxx.KT	PD005.xxx.IPS	PD007.xxx.KT	PD016.xxx.IPS
Cylinder	N/A	N/A	8320.xxx.EMHT (1.75" door thickness*)	N/A
Mortise Lock	8632.xxx	8601.xxx	8632.xxx	8603.xxx

*See page 179 for pocket door cylinder table.

SPECIFICATIONS

Standardized heavy steel case is smooth, easy to mortise, and assures snug and solid fit in door mortise. Vital interior working parts are made of solid hot forged brass or steel for a lifetime of trouble-free operation. All lock cases are constructed of heavy gauge steel (.0937" (2.4mm)) material and plated with a protective rust-resistant coating to retard oxidation.

FACEPLATE: Wrought brass, available in standard finishes.

DEADBOLT: 8602 and 8632 locks are equipped with a 1" (25mm) throw deadbolt with steel inserts that engage strike. Furnished in US4 and 26D finishes depending on faceplate finish.

PULL: All locks are equipped with a 1.25" (32mm) throw pull. Pull is thrown by push button on lock front. Furnished in US4 and 26D finishes to match trim.

TURN HUB: 8602 and 8632 locks include turn hub with .19" (5mm) hole broached on the diamond.

SPACING: Center to center of Turn Hub to Cylinder 1.187" (30mm).

CYLINDER: Emhart mortise type with 03 keyway and two silver nickel keys. Cylinder is not supplied with lock and should be ordered with suffix ".EMHT" added to the end of the Item # (same price as standard C keyway cylinders).

KEYING: All levels of Keying, including Construction Keying, are available.

STRIKE: Wrought brass finished to match. Included with 8602 and 8632 locks only. 8603 lock is spring-loaded strike combined with pull (for double door applications).

TEMPLATE: Provided along with install instructions with all locks. Face cutouts are subject to variation. Always review trim requirements before door preparation.



Pocket door pull

Finish: 003, 031, 033, 044, 050, 055, 056, 060, 076, 102, 112, 190, 260

Item #	Description		
8601.xxx	Pocket Door Pull	For Passage & Dummy Functions, included on PASS sets	\$423
8602.xxx	Pocket Door Lock with Pull	For Privacy and Entry Functions, (2.75" backset)	\$467
8603.xxx	Pocket Door Strike with Pull	For Dummy Side of Double Door, included in dummy for double door application (FD) functions. Requires privacy or entry function lock for active door.	\$467
8632.xxx	Pocket Door Lock with Pull	For Privacy and Entry Functions, (2.5" backset)	\$467

Mortise Locks are NOT available in 402 Distressed Finish, non-distressed equivalent 402=102
 Pocket Door Pull locks come with 7/8" fronts; all other pocket door locks comes with 1" fronts

Finish: 003, 031, 033, 044, 050, 055, 056, 060, 076, 102, 112, 190, 260

Item #	Description		
8320.xxx.EMHT	.75" (4 pin)	Mortise Cylinder	\$82
8321.xxx.EMHT	1"	Mortise Cylinder	\$82
8322.xxx.EMHT	1.125"	Mortise Cylinder	\$82
8323.xxx.EMHT	1.25"	Mortise Cylinder	\$82

Mortise Locks are NOT available in 402 Distressed Finish, non-distressed equivalent 402=102



Pocket door lock with pull

SINGLE CYLINDER C KEYWAY		Door Thickness		1.375"		1.5"		1.75"		2"		2.25"		2.5"	
Trim Style Name	Trim Style #	Cylinder Length	Blocking Ring	Cylinder Length	Blocking Ring	Cylinder Length	Blocking Ring	Cylinder Length	Blocking Ring	Cylinder Length	Blocking Ring	Cylinder Length	Blocking Ring	Cylinder Length	Blocking Ring
Large Santa Monica	PD005	-	-	.75" 8320.xxx. EMHT	-	.75" 8320.xxx. EMHT	-	.75" 8320.xxx. EMHT	-	1" 8321.xxx. EMHT	-	1" 8321.xxx. EMHT	-	1" 8321.xxx. EMHT	-
Small Santa Monica	PD006	.75" 8320.xxx. EMHT	-	.75" 8320.xxx. EMHT	-	.75" 8320.xxx. EMHT	-	.75" 8320.xxx. EMHT	-	1" 8321.xxx. EMHT	-	1" 8321.xxx. EMHT	-	1" 8321.xxx. EMHT	-
Palo Alto	PD007	-	-	.75" 8320.xxx. EMHT	-	.75" 8320.xxx. EMHT	-	.75" 8320.xxx. EMHT	-	1" 8321.xxx. EMHT	-	1" 8321.xxx. EMHT	-	1" 8321.xxx. EMHT	-
Boulder	PD016	-	-	-	-	.75" 8320.xxx. EMHT	-	.75" 8320.xxx. EMHT	-	1" 8321.xxx. EMHT	-	1" 8321.xxx. EMHT	-	1" 8321.xxx. EMHT	-



Pocket door strike with pull

DOUBLE CYLINDER C KEYWAY		Door Thickness		1.375"		1.5"		1.75"		2"		2.25"		2.5"	
Trim Style Name	Trim Style #	Cylinder Length	Blocking Ring	Cylinder Length	Blocking Ring	Cylinder Length	Blocking Ring	Cylinder Length	Blocking Ring	Cylinder Length	Blocking Ring	Cylinder Length	Blocking Ring	Cylinder Length	Blocking Ring
Large Santa Monica	PD005	-	-	-	-	.75" 8320.xxx. EMHT	.0625" 8440.xxx. 001	.75" 8320.xxx. EMHT*	-	1" 8321.xxx. EMHT	.0625" 8440.xxx. 001	1" 8321.xxx. EMHT	-	1" 8321.xxx. EMHT	-
Small Santa Monica	PD006	-	-	-	-	.75" 8320.xxx. EMHT	.0625" 8440.xxx. 001	.75" 8320.xxx. EMHT*	-	1" 8321.xxx. EMHT	.0625" 8440.xxx. 001	1" 8321.xxx. EMHT	-	1" 8321.xxx. EMHT	-
Palo Alto	PD007	-	-	-	-	.75" 8320.xxx. EMHT	.0625" 8440.xxx. 002	.75" 8320.xxx. EMHT*	-	1" 8321.xxx. EMHT	.0937" 8440.xxx. 002	1" 8321.xxx. EMHT	-	1" 8321.xxx. EMHT	-
Boulder	PD016	-	-	-	-	.75" 8320.xxx. EMHT	.0625" 8440.xxx. 002	.75" 8320.xxx. EMHT*	-	1" 8321.xxx. EMHT	.0937" 8440.xxx. 002	1" 8321.xxx. EMHT	-	1" 8321.xxx. EMHT	-

SLIDING DOOR LOCKS



MULTI-POINT



Bristol – MP009



Santa Monica – MP005



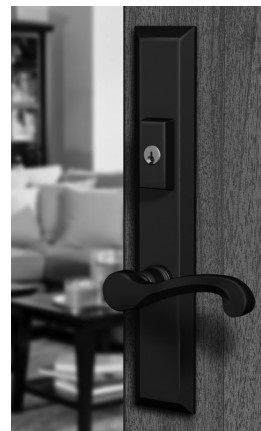
Lakeshore – MP013



Bismark – MP002



Boulder – MP016



Concord – MP004



Kensington – MP003



Watch for this icon as your quick guide to coordinating Baldwin lock hardware throughout your home. Your favorite Baldwin styles are now available in Mortise for entrance needs, Tubular for entrance/interiors, AND Multi-Point for patio doors!

- FITS 92 AND 105 MM CYLINDER TO LEVER C.T.C.
- ESTATE COLLECTION FINISH OPTIONS TO SUIT ANY HOME.
- PROFILE OR AMERICAN CYLINDER.
- AVAILABLE AS COMPLETE SETS, MINUS LEVER SETS, OR CHOOSE YOUR OWN LEVER STYLE TO BUILD A SET.
- EASY INSTALLATION WITH ONE-BOX SHIPPING AND CYLINDER/HARDWARE FOR 1.75" THICK DOOR.
- THROUGH-BOLT MOUNTING.
- THICK DOOR KITS AVAILABLE.
- ALL PROFILE AND AMERICAN CYLINDERS ARE FIELD KEYABLE TO BALDWIN KEYWAY.

MULTI-POINT

PROFILE CYLINDERS

RECOMMENDED FINISHES	ORIGINAL FINISHES
040	003, 031, 033, 060, 044, 050
112	102, 190, 402, 112
264	055, 056, 076, 260

AMERICAN CYLINDERS

RECOMMENDED FINISHES	ORIGINAL FINISHES
040	003, 031, 033, 044, 050, 060, 102, 112, 190, 402,
264	055, 056, 076, 260

STEP 1

PICK YOUR MULTI-POINT TRIM

EXAMPLE # MP004 . xxx . xxxx

Trim Code	Description
MP002	Bismark Multi-Point Trim
MP003	Kensington Multi-Point Trim
MP004	Concord Multi-Point Trim
MP005	Santa Monica Multi-Point Trim
MP009	Bristol Multi-Point Trim
MP013	Lakeshore Multi-Point Trim
MP016	Boulder Multi-Point Trim

STEP 2

CHOOSE YOUR DOOR CONFIGURATION

EXAMPLE # MP004 . xxx . xxxx1

Configuration #	Description	Measurement	Page
Configuration 1	Profile Cylinder Below Handle	92mm CTC, 8.5" Mounting Hole CTC	195
Configuration 2	American Cylinder Above Handle	105mm CTC, 8.5" Mounting Hole CTC	197
Configuration 3	American Cylinder Below Handle	92mm CTC, 8.375" Mounting Hole CTC	199
Configuration 4	Profile Cylinder Below Handle	92mm CTC, 7.875" Mounting Hole CTC	201
Configuration 5	American Cylinder Above or Below Handle	92mm CTC, 7.5625" Mounting Hole CTC	203
Configuration 6	American Cylinder Above Handle	92mm CTC, 7.25" Mounting Hole CTC	205

STEP 3

CHOOSE YOUR FUNCTION

EXAMPLE # MP004 . xxx . ACT

Function Code	Description
ACT	Entry, keyed w/ turnknob (supplied w/ cylinder for 1 3/4" door thickness)
FDP	Passage, active, no cylinder or turnknob
AIN	Inactive outside and active inside- non-keyed
FD	Inactive, non-keyed
PAT	Patio, non-keyed

STEP 4

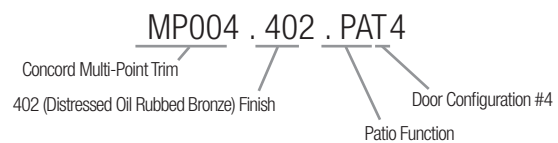
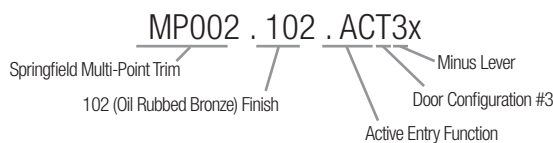
SPECIFY MINUS LEVER OPTION, IF DESIRED:

EXAMPLE # MP004 . xxx . ACTx

Add "x" to suffix for minus lever option.
Otherwise trim ships with stock lever choice as shown.

NOTE: Must use specialty multi point screws included in trim box (1336.013.05105).

Examples:



STEP 5

IF A LEVER OTHER THAN THE STANDARD IS DESIRED

Order a trim without levers and order levers separately.

STEP 6

IF SPLIT FINISH

Order escutcheons, levers, and corresponding thick door kits separately.

STEP 1

PICK YOUR MULTI-POINT TRIM

EXAMPLE # **MP004** . XXX . XXXX

MULTI-POINT

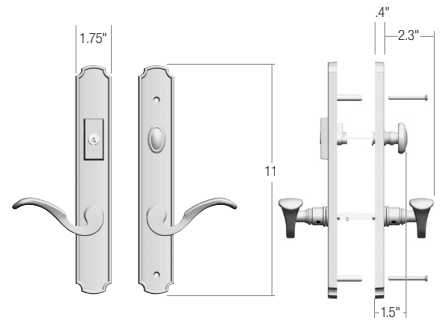
Bismark – MP002

5152 Lever included

Profile Cylinder
Below Handle



American Cylinder
Above & Below



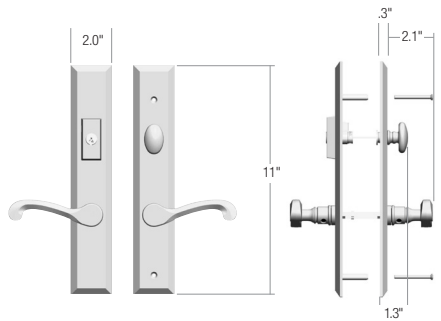
Concord – MP004

5445 Lever included

Profile Cylinder
Below Handle



American Cylinder
Above & Below



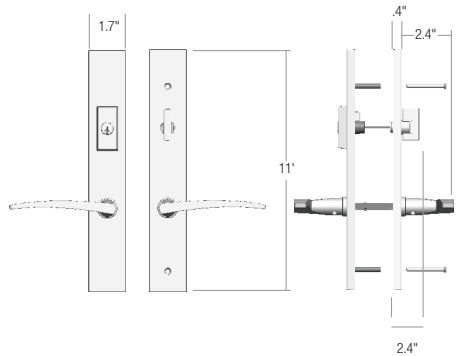
Santa Monica – MP005

L022 Lever included

Profile Cylinder
Below Handle



American Cylinder
Above & Below



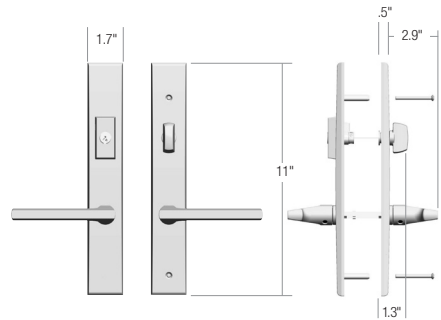
Lakeshore – MP013

5162 Lever included

Profile Cylinder
Below Handle



American Cylinder
Above & Below



MULTI-POINT

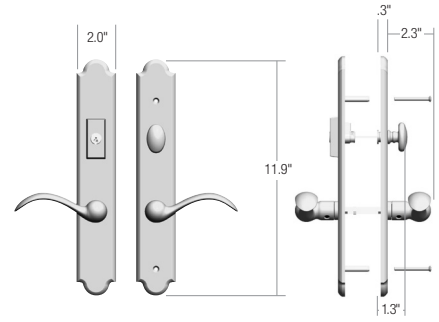
Boulder – MP016

5452 Lever included

Profile Cylinder
Below Handle



American Cylinder
Above & Below



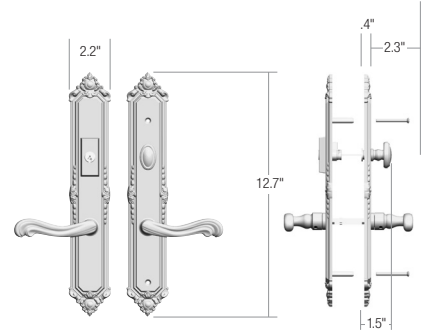
Kensington – MP003

5108 Lever included

Profile Cylinder
Below Handle



American Cylinder
Above & Below



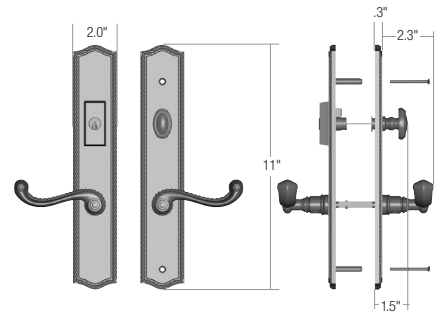
Bristol – MP009

5104 Lever included

Profile Cylinder
Below Handle



American Cylinder
Above & Below



STEP 1

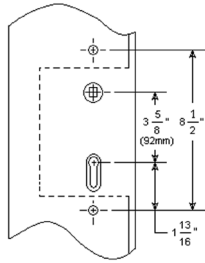
PICK YOUR MULTI-POINT TRIM

EXAMPLE # **MP004** . xxx . xxxx

STEP 2

CHOOSE YOUR DOOR CONFIGURATION

EXAMPLE # MP004 . xxx . xxxx**1**



Configuration #	Description
Configuration 1	Profile Cylinder Below Handle — 3 5/8" (92mm) center to center 8 1/2" center to center mounting hole location

STEP 3

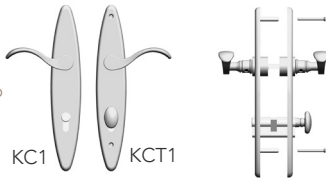
CHOOSE YOUR FUNCTION – CONFIGURATION #1

EXAMPLE # MP004 . xxx . **ACT1**

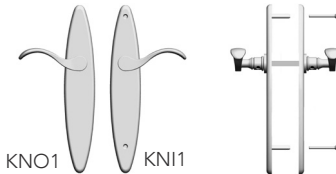
Bismark (MP002), Boulder (MP016), Concord (MP004), Lakeshore (MP013), Santa Monica (MP005) Kensington (MP003), Bristol (MP009)

Without Levers
Denote with "x" at end of SKU

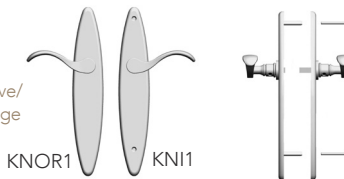
ACT1
Entrance Pro
Cylinder



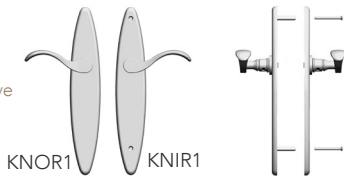
FDP1
Passage



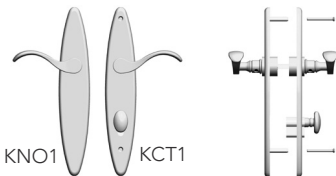
AIN1
Half Inactive/
Half Passage



FD1
Full Inactive



PAT1
Patio



NOTE: Must use specialty multi point screws included in trim box (1336.009).

Item #	Description	003, 031, 033, 044 050, 055, 056, 060 076, 102, 112, 190, 260, 402	003, 031, 033, 044 050, 055, 056, 060 076, 102, 112, 190, 260, 402
Entrance Profile Cylinder Multi-point ACT1	Entry - Keyed W/ Turnknob	\$840	\$630
Passage Multi-point FDP1	Passage - Active No Cylinder or Turnknob	\$704	\$498
Half Inactive / Half Passage Multi-point AIN1	Inactive Outside And Active Inside – Non-keyed	\$704	\$498
Full Inactive Multi-point FD1	Inactive - Non-keyed	\$704	\$498
Patio Multi-point PAT1	Patio - Non-keyed	\$704	\$498
Multi-point, Escutcheons ONLY			
KNI1	KN, Cut for Knob Inside	\$300	—
KNIR1	KN, Cut for Knob Inside - Rigid Lever	\$300	—
KNO1	KN, Cut for Knob Outside	\$300	—
KNOR1	KN, Cut for Knob Outside - Rigid Lever	\$300	—
KC1	KC, Cut for Cylinder Outside - Pro C1	\$300	—
KCT1	KC, Cut for Cylinder Inside - Pro C1	\$329	—

MULTI-POINT

STEP 3 (CONT)

THICK DOOR KIT – CONFIGURATION #1

EXAMPLE # MP000 . xxx . ACTD

Thick Door Kits	Included w/standard sets						List Price
ACT1	1 ¾"	2"	2 ¼"	2 ⅝"	2 ½"	2 ¾"	
All others	MP000.xxx.ACTD	MP000.xxx.ACTD	MP000.xxx.ACTE	MP000.xxx.ACTF	MP000.xxx.ACTG	MP000.xxx.ACTG	\$181
Bismark, Kensington, Lakeshore	MP000.xxx.ACTD	MP000.xxx.ACTE	MP000.xxx.ACTE	MP000.xxx.ACTF	MP000.xxx.ACTG	MP000.xxx.ACTI	\$181
PAT1	1 ¾"	2"	2 ¼"	2 ⅝"	2 ½"	2 ¾"	
All others	MP000.xxx.PATJ	MP000.xxx.PATJ	MP000.xxx.PATK	MP000.xxx.PATL	MP000.xxx.PATM	MP000.xxx.PATM	\$191
Bismark, Kensington, Lakeshore	MP000.xxx.PATJ	MP000.xxx.PATK	MP000.xxx.PATK	MP000.xxx.PATL	MP000.xxx.PATM	MP000.xxx.PATO	\$191
AIN Sets	1 ¾" – 2 ¼"			2 ⅝" – 2 ¾"			
	MP000.000.AINS	—	—	MP000.000.AINT	—	—	\$39
FD Sets	1 ¾" – 2 ¼"			2 ⅝" – 2 ¾"			
	MP000.000.FDPTP	—	—	MP000.000.FDPTQ	—	—	\$39
FDP Sets	1 ¾" – 2 ¼"			2 ⅝" – 2 ¾"			
	MP000.000.FDPTP	—	—	MP000.000.FDPTQ	—	—	\$39

- Baldwin Multi-Point Active & Patio trims assume 1.75" door thickness.
- For thicker doors, please order a Thick Door kit according to the chart below. Specify cylinder finish where noted.
- Available cylinder finishes include ONLY 264 (Satin Chrome), 040 (Satin Brass) and 112 (Venetian Bronze).
- See finish chart on page 179 for cylinder finish recommendations.

ACT kits include:
8mm to 7.3mm Conversion Spindle, Keyed Cylinder, and Cylinder Installation Hardware

PAT kits include:
8mm to 7.3mm Conversion Spindle, Patio Cylinder, and Cylinder Installation Hardware

AIN kits include:
Half spindle, and Spindle Installation Hardware

FDPTP kits include:
8mm to 7.3mm Conversion Spindle

STEP 1

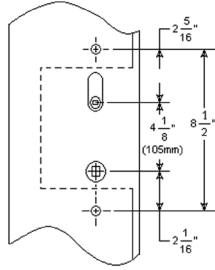
PICK YOUR MULTI-POINT TRIM

EXAMPLE # MP004 . xxx . xxxx

STEP 2

CHOOSE YOUR DOOR CONFIGURATION

EXAMPLE # MP004 . xxx . xxx2



Configuration #	Description
Configuration 2	American Cylinder Above Handle — 4 1/8" (105 mm) center to center 8 1/2" center to center mounting hole location

NOTE: Turn pieces are permanently attached to the Multipoint KT plate and are not interchangeable

STEP 3

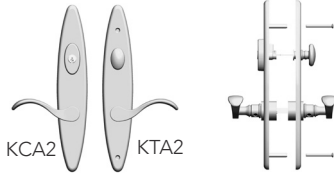
CHOOSE YOUR FUNCTION – CONFIGURATION #2

EXAMPLE # MP004 . xxx . ACT2

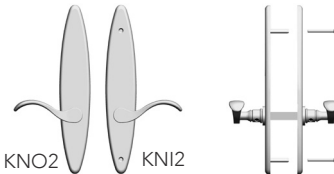
Bismark (MP002), Boulder (MP016), Concord (MP004), Lakeshore (MP013), Santa Monica (MP005) Kensington (MP003), Bristol (MP009)

Without Levers
Denote with "x" at end of SKU

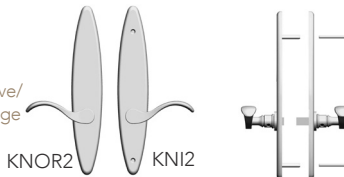
ACT2
Entrance
American
Cylinder



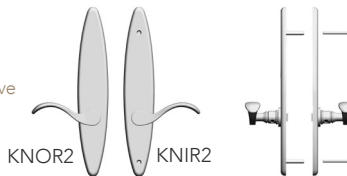
FDP2
Passage



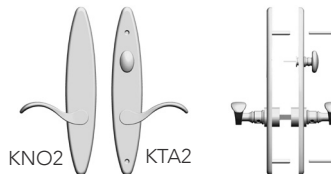
AIN2
Half Inactive/
Half Passage



FD2
Full Inactive



PAT2
Patio



NOTE: Must use specialty multi point screws included in trim box (1336.009).

003, 031, 033, 044
050, 055, 056, 060
076, 102, 112,
190, 260, 402

003, 031, 033, 044
050, 055, 056, 060
076, 102, 112,
190, 260, 402

Item #	Description		
Entrance American Cylinder Multi-point ACT2	Entry - Keyed W/ Turnknob	\$840	\$630
Passage Multi-point FDP2	Passage - Active No Cylinder or Turnknob	\$704	\$498
Half Inactive / Half Passage Multi-point AIN2	Inactive Outside And Active Inside - Non-keyed	\$704	\$498
Full Inactive Multi-point FD2	Inactive - Non-keyed	\$704	\$498
Patio Multi-point PAT2	Patio - Non-keyed	\$704	\$498
Multi-point, Escutcheons ONLY			
KNI2	KN, Cut for Knob Inside	\$300	—
KNIR2	KN, Cut for Knob Inside - Rigid Lever	\$300	—
KNO2	KN, Cut for Knob Outside	\$300	—
KNOR2	KN, Cut for Knob Outside - Rigid Lever	\$300	—
KCA2	KC, Cut for Cylinder Outside - American C2	\$329	—
KTA2	KT, Cut for Turnpiece Inside - American C2	\$329	—

MULTI-POINT

STEP 3 (CONT)

THICK DOOR KIT – CONFIGURATION #2

EXAMPLE # MP000 . xxx . ACTR

Thick Door Kits	Included w/standard sets	List Price
ACT2	1 3/4" MP000.xxx.ACTR*	— \$173
PAT2	1 3/4" – 2 1/4" MP000.000.FDPTP	— \$39
AIN Sets	1 3/4" – 2 1/4" MP000.000.AINS	2 3/8" to 3" MP000.000.AINT \$39
FD Sets	1 3/4" – 2 1/4" MP000.000.FDPTP	2 3/8" to 2 3/4" MP000.000.FDPTQ \$39
FDP Sets	1 3/4" – 2 1/4" MP000.000.FDPTP	2 3/8" to 2 3/4" MP000.000.FDPTQ \$39

- Specify cylinder finish where noted.
- *ACT2 - Finish matches trim exactly (any of the Baldwin Estate finishes).

ACT kits include:
8mm to 7.3mm Conversion Spindle, Keyed Cylinder, and Cylinder Installation Hardware

AIN kits include:
Half spindle, and Spindle Installation Hardware

FDPTP kits include:
8mm to 7.3mm Conversion Spindle

STEP 1

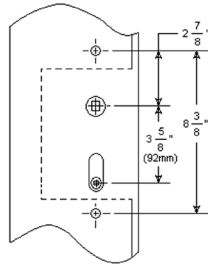
PICK YOUR MULTI-POINT TRIM

EXAMPLE # MP004 . xxx . xxxx

STEP 2

CHOOSE YOUR DOOR CONFIGURATION

EXAMPLE # MP004 . xxx . xxx3



Configuration #	Description
Configuration 3	American Cylinder Below Handle — 3 5/8" (92 mm) center to center 8 3/8" center to center mounting hole location

NOTE: Turn pieces are permanently attached to the Multipoint KT plate and are not interchangeable

STEP 3

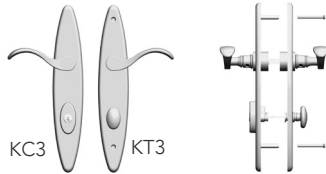
CHOOSE YOUR FUNCTION – CONFIGURATION #3

EXAMPLE # MP004 . xxx . ACT3

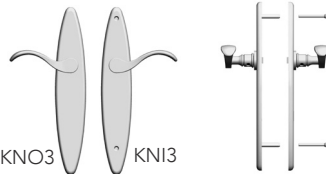
Bismark (MP002), Boulder (MP016), Concord (MP004), Lakeshore (MP013), Santa Monica (MP005) Kensington (MP003), Bristol (MP009)

Without Levers
Denote with "x" at end of SKU

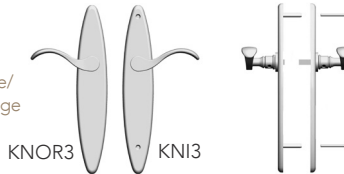
ACT3
Entrance
American
Cylinder



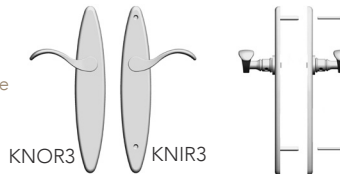
FDP3
Passage



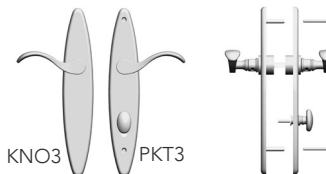
AIN3
Half Inactive/
Half Passage



FD3
Full Inactive



PAT3
Patio



NOTE: Must use specialty multi point screws included in trim box (1336.009).

003, 031, 033, 044
050, 055, 056, 060
076, 102, 112,
190, 260, 402

003, 031, 033, 044
050, 055, 056, 060
076, 102, 112,
190, 260, 402

Item #	Description		
Entrance American Cylinder Multi-point ACT3	Entry - Keyed W/ Turnknob	\$840	\$630
Passage Multi-point FDP3	Passage - Active No Cylinder or Turnknob	\$704	\$498
Half Inactive / Half Passage Multi-point AIN3	Inactive Outside And Active Inside - Non-keyed	\$704	\$498
Full Inactive Multi-point FD3	Inactive - Non-keyed	\$704	\$498
Patio Multi-point PAT3	Patio - Non-keyed	\$704	\$498
Multi-point, Escutcheons ONLY			
KNI3	KN, Cut for Knob Inside	\$300	—
KNIR3	KN, Cut for Knob Inside - Rigid Lever	\$300	—
KNO3	KN, Cut for Knob Outside	\$300	—
KNOR3	KN, Cut for Knob Outside - Rigid Lever	\$300	—
KC3	KC, Cut for Cylinder Outside - American C3	\$329	—
KT3	KT, Cut for Turnpiece Inside - American C3	\$329	—
PKT3	Patio KT, Cut for Turnpiece Inside - C3	\$329	—

MULTI-POINT

STEP 3 (CONT)

THICK DOOR KIT – CONFIGURATION #3

EXAMPLE # MP000 . xxx . ACTA

Thick Door Kits	Included w/standard sets			List Price
ACT3	1 3/4" – 2 1/4"	2 3/8" to 2 1/2"	2 3/4"	
	MP000.xxx.ACTA	MP000.xxx.ACTB	MP000.xxx.ACTC	\$173
PAT3	1 3/4" – 2 1/4"	2 3/8" to 2 3/4"		
	MP000.000.FDPTP	MP000.000.FDPTQ	—	\$39
AIN Sets	1 3/4" – 2 1/4"	2 3/8" to 2 3/4"		
	MP000.000.AINS	MP000.000.AINT	—	\$39
FD Sets	1 3/4" – 2 1/4"	2 3/8" to 2 3/4"		
	MP000.000.FDPTP	MP000.000.FDPTQ	—	\$39
FDP Sets	1 3/4" – 2 1/4"	2 3/8" to 2 3/4"		
	MP000.000.FDPTP	MP000.000.FDPTQ	—	\$39

- Config #3 Multi-Point come standard for 1 3/4" to 2 1/4" door thickness. For thicker doors, please order a Thick Door kit according to the chart above. Specify cylinder finish where noted.
- Available cylinder finishes include 264 (Satin Chrome) and 040 (Satin Brass) ONLY.
- See finish chart on page 179 for cylinder finish recommendations.

ACT kits include:
8mm to 7.3mm Conversion Spindle, Keyed Cylinder, and Cylinder Installation Hardware

PAT kits include:
8mm to 7.3mm Conversion Spindle

AIN kits include:
Half spindle, and Spindle Installation Hardware

FDPTP kits include:
8mm to 7.3mm Conversion Spindle

STEP 1

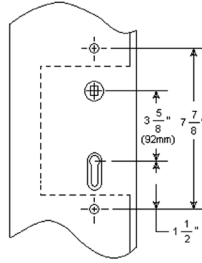
PICK YOUR MULTI-POINT TRIM

EXAMPLE # MP004 . xxx . xxxx

STEP 2

CHOOSE YOUR DOOR CONFIGURATION

EXAMPLE # MP004 . xxx . xxxx4



Configuration #	Description
Configuration 4	Profile Cylinder Below Handle — 3 5/8" (92 mm) center to center 7 7/8" center to center mounting hole location

STEP 3

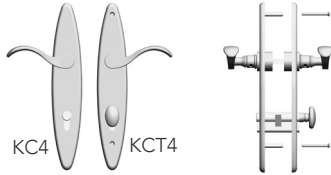
CHOOSE YOUR FUNCTION – CONFIGURATION #4

EXAMPLE # MP004 . xxx . ACT4

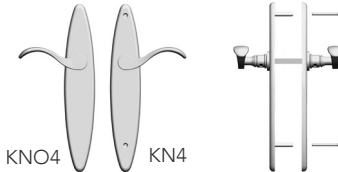
Bismark (MP002), Boulder (MP016), Concord (MP004),
Lakeshore (MP013), Santa Monica (MP005)
Kensington (MP003), Bristol (MP009)

Without Levers
Denote with "x" at end of SKU

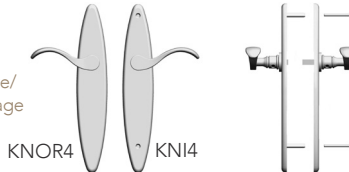
ACT4
Entrance
Profile
Cylinder



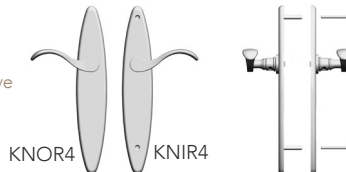
FDP4
Passage



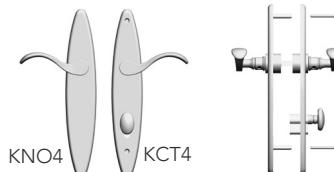
AIN4
Half Inctive/
Half Passage



FD4
Full Inactive



PAT4
Patio



NOTE: Must use specialty multi point screws included in trim box (1336.009).

Item #	Description	003, 031, 033, 044	003, 031, 033, 044
		050, 055, 056, 060, 076 102, 112, 190, 260, 402	050, 055, 056, 060, 076 102, 112, 190, 260, 402
ACT4	Entrance Profile Cylinder Multi-point Entry - Keyed W/ Turnknob	\$840	\$630
FDP4	Passage Multi-point Passage - Active No Cylinder or Turnknob	\$704	\$498
AIN4	Half Inactive / Half Passage Multi-point Inactive Outside And Active Inside – Non-keyed	\$704	\$498
FD4	Full Inactive Multi-point Inactive - Non-keyed	\$704	\$498
PAT4	Patio Multi-point Patio - Non-keyed	\$704	\$498
Multi-point, Escutcheons ONLY			
KNI4	KN, Cut for Knob Inside	\$300	—
KNIR4	KN, Cut for Knob Inside - Rigid Lever	\$300	—
KNO4	KN, Cut for Knob Outside	\$300	—
KNOR4	KN, Cut for Knob Outside - Rigid Lever	\$300	—
KC4	KC, Cut for Cylinder Outside - Profile C4	\$300	—
KCT4	KT, Cut for Cylinder Inside - Profile C4	\$329	—

MULTI-POINT

STEP 3 (CONT)

THICK DOOR KIT – CONFIGURATION #4

EXAMPLE # MP000 . xxx . ACTD

Thick Door Kits	Included w/standard sets							List Price
ACT4	1 ¾"	2"	2 ¼"	2 ⅜"	2 ½"	2 ¾"		
All others	MP000.xxx.ACTD	MP000.xxx.ACTD	MP000.xxx.ACTE	MP000.xxx.ACTF	MP000.xxx.ACTG	MP000.xxx.ACTG		\$181
Bismark, Kensington, Lakeshore	MP000.xxx.ACTD	MP000.xxx.ACTE	MP000.xxx.ACTE	MP000.xxx.ACTF	MP000.xxx.ACTG	MP000.xxx.ACTI		\$181
PAT4	1 ¾"	2"	2 ¼"	2 ⅜"	2 ½"	2 ¾"		
All others	MP000.xxx.PATJ	MP000.xxx.PATJ	MP000.xxx.PATK	MP000.xxx.PATL	MP000.xxx.PATM	MP000.xxx.PATM		\$181
Bismark, Kensington, Lakeshore	MP000.xxx.PATJ	MP000.xxx.PATK	MP000.xxx.PATK	MP000.xxx.PATL	MP000.xxx.PATM	MP000.xxx.PATO		\$181
AIN Sets	1 ¾" to 2 ¼"			2 ⅜" to 2 ¾"				
	MP000.000.AINS	—	—	MP000.000.AINT	—	—		\$39
FD Sets	1 ¾" to 2 ¼"			2 ⅜" to 2 ¾"				
	MP000.000.FDPTP	—	—	MP000.000.FDPTQ	—	—		\$39
FDP Sets	1 ¾" to 2 ¼"			2 ⅜" to 2 ¾"				
	MP000.000.FDPTP	—	—	MP000.000.FDPTQ	—	—		\$39

- Config #4 Multi-Point Active and Patio trims assume 1.75" door thickness. For thicker doors, please order a Thick Door kit according to the chart above. Specify cylinder finish where noted.
- Available cylinder finishes include ONLY 264 (Satin Chrome), 040 (Satin Brass) and 112 (Venetian Bronze).
- See finish chart on page 179 for cylinder finish recommendations.

ACT kits include:
8mm to 7.3mm Conversion Spindle, Keyed Cylinder, and Cylinder Installation Hardware

PAT kits include:
8mm to 7.3mm Conversion Spindle, Patio Cylinder and Cylinder Installation Hardware

AIN kits include:
Half spindle, and Spindle Installation Hardware

FDPTP kits include:
8mm to 7.3mm Conversion Spindle

STEP 1

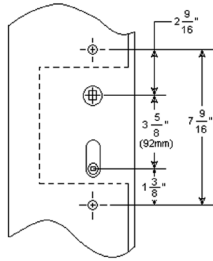
PICK YOUR MULTI-POINT TRIM

EXAMPLE # MP004 . xxx . xxxx

STEP 2

CHOOSE YOUR DOOR CONFIGURATION

EXAMPLE # MP004 . xxx . xxxx5



Configuration #	Description
Configuration 5	American Cylinder Above or Below Handle — 3 5/8" (92 mm) center to center 7 9/16" center to center mounting hole location

STEP 3

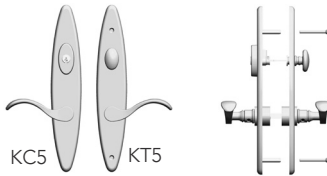
CHOOSE YOUR FUNCTION – CONFIGURATION #5

EXAMPLE # MP004 . xxx . ACT5

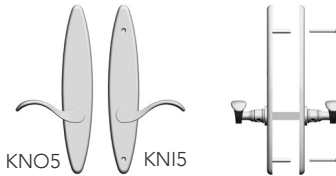
Bismark (MP002), Boulder (MP016), Concord (MP004),
Lakeshore (MP013), Santa Monica (MP005)
Kensington (MP003), Bristol (MP009)

Without Levers
Denote with "x" at end of SKU

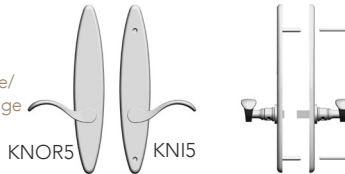
ACT5
Entrance
American
Cylinder



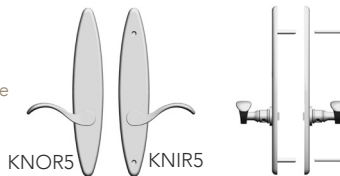
FDP5
Passage



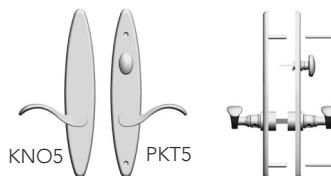
AIN5
Half Inactive/
Half Passage



FD5
Full Inactive



PAT5
Patio



NOTE: Must use specialty multi point screws included in trim box (1336.009).

003, 031, 033, 044
050, 055, 056, 060
076, 102, 112,
190, 260, 402

003, 031, 033, 044
050, 055, 056, 060
076, 102, 112,
190, 260, 402

Item #	Description		
Entrance American Cylinder Multi-point ACT5	Entry - Keyed W/ Turnknob	\$840	\$630
Passage Multi-point FDP5	Passage - Active No Cylinder or Turnknob	\$704	\$498
Half Inactive / Half Passage Multi-point AIN5	Inactive Outside And Active Inside - Non-keyed	\$704	\$498
Full Inactive Multi-point FD5	Inactive - Non-keyed	\$704	\$498
Patio Multi-point PAT5	Patio - Non-keyed	\$704	\$498
Multi-point, Escutcheons ONLY			
KNI5	KN, Cut for Knob Inside	\$300	—
KNIR5	KN, Cut for Knob Inside - Rigid Lever	\$300	—
KNO5	KN, Cut for Knob Outside	\$300	—
KNOR5	KN, Cut for Knob Outside - Rigid Lever	\$300	—
KC5	KC, Cut for Cylinder Outside - American C5	\$300	—
KT5	KT, Cut for Cylinder Inside - American C5	\$329	—
PKT5	Patio KT, Cut for Turnpiece Inside - C5	\$329	—

NOTE: #5 cylinder to spindle orientation is reversible, works for both above and below handle mounting.

STEP 3 (CONT)

THICK DOOR KIT – CONFIGURATION #5

EXAMPLE # MP000 . xxx . ACTA

Thick Door Kits	Included w/standard sets			List Price
ACT5	1 3/4" – 2 1/4"	2 3/8" to 2 1/2"	2 3/4"	
	MP000.xxx.ACTA	MP000.xxx.ACTB	MP000.xxx.ACTC	\$173
PAT5	1 3/4" – 2 1/4"	2 3/8" to 2 3/4"		
	MP000.000.FDPTP	MP000.000.FDPTQ	—	\$39
AIN Sets	1 3/4" – 2 1/4"	2 3/8" to 2 3/4"		
	MP000.000.AINS	MP000.000.AINT	—	\$39
FD Sets	1 3/4" – 2 1/4"	2 3/8" to 2 3/4"		
	MP000.000.FDPTP	MP000.000.FDPTQ	—	\$39
FDP Sets	1 3/4" – 2 1/4"	2 3/8" to 2 3/4"		
	MP000.000.FDPTP	MP000.000.FDPTQ	—	\$39

- Config #3 Multi-Point come standard for 1 3/4" to 2 1/4" door thickness. For thicker doors, please order a Thick Door kit according to the chart above. Specify cylinder finish where noted.
- Available cylinder finishes include 264 (Satin Chrome) and 040 (Satin Brass) ONLY.
- See finish chart on page 179 for cylinder finish recommendations.

ACT kits include:
8mm to 7.3mm Conversion Spindle, Keyed Cylinder, and Cylinder Installation Hardware

PAT kits include:
8mm to 7.3mm Conversion Spindle

AIN kits include:
Half spindle, and Spindle Installation Hardware

FDPTP kits include:
8mm to 7.3mm Conversion Spindle



STEP 1

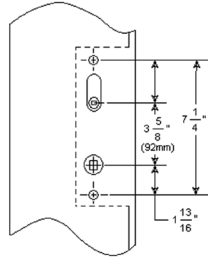
PICK YOUR MULTI-POINT TRIM

EXAMPLE # MP004 . xxx . xxxx

STEP 2

CHOOSE YOUR DOOR CONFIGURATION

EXAMPLE # MP004 . xxx . xxx6



Configuration #	Description
Configuration 6	American Cylinder Above Handle — 3 5/8" (92 mm) center to center 7 1/4" center to center mounting hole location

NOTE: Turn pieces are permanently attached to the Multipoint KT plate and are not interchangeable

STEP 3

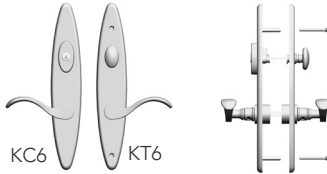
CHOOSE YOUR FUNCTION – CONFIGURATION #6

EXAMPLE # MP004 . xxx . ACT6

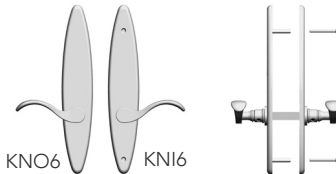
Bismark (MP002), Boulder (MP016), Concord (MP004), Lakeshore (MP013), Santa Monica (MP005) Kensington (MP003), Bristol (MP009)

Without Levers
Denote with "x" at end of SKU

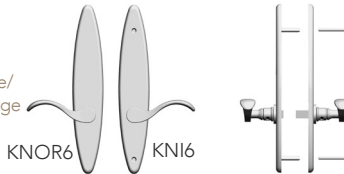
ACT6
Entrance
American
Cylinder



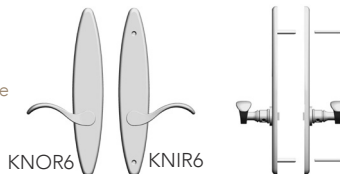
FDP6
Passage



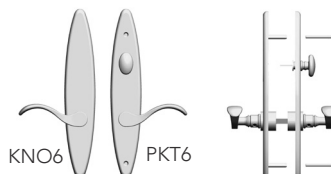
AIN6
Half Inactive/
Half Passage



FD6
Full Inactive



PAT6
Patio



NOTE: Must use specialty multi point screws included in trim box (1336.009).

003, 031, 033, 044
050, 055, 056, 060
076, 102, 112,
190, 260, 402

003, 031, 033, 044
050, 055, 056, 060
076, 102, 112,
190, 260, 402

Item #	Description	003, 031, 033, 044 050, 055, 056, 060 076, 102, 112, 190, 260, 402	003, 031, 033, 044 050, 055, 056, 060 076, 102, 112, 190, 260, 402
Entrance American Cylinder Multi-point ACT6	Entry - Keyed W/ Turnknob	\$840	\$630
Passage Multi-point FDP6	Passage - Active No Cylinder or Turnknob	\$704	\$498
Half Inactive / Half Passage Multi-point AIN6	Inactive Outside And Active Inside - Non-keyed	\$704	\$498
Full Inactive Multi-point FD6	Inactive - Non-keyed	\$704	\$498
Patio Multi-point PAT6	Patio - Non-keyed	\$704	\$498
Multi-point, Escutcheons ONLY			
KNi6	KN, Cut for Knob Inside	\$300	—
KNIR6	KN, Cut for Knob Inside - Rigid Lever	\$300	—
KNO6	KN, Cut for Knob Outside	\$300	—
KNOR6	KN, Cut for Knob Outside - Rigid Lever	\$300	—
KC6	KC, Cut for Cylinder Outside - American C6	\$300	—
KT6	KT, Cut for Cylinder Inside - American C6	\$329	—
PKT6	Patio KT, Cut for Turnpiece Inside - C6	\$329	—

MULTI-POINT

STEP 3 (CONT)

THICK DOOR KIT – CONFIGURATION #6

EXAMPLE # MP000 . xxx . ACTA

Thick Door Kits	Included w/standard sets			List Price
ACT6	1 3/4" – 2 1/4"	2 3/8" to 2 1/2"	2 3/4"	
	MP000.xxx.ACTA	MP000.xxx.ACTB	MP000.xxx.ACTC	\$181
PAT6	1 3/4" – 2 1/4"	2 3/8" to 2 3/4"		
	MP000.000.FDPTP	MP000.000.FDPTQ	—	\$39
AIN Sets	1 3/4" – 2 1/4"	2 3/8" to 2 3/4"		
	MP000.000.AINS	MP000.000.AINT	—	\$39
FD Sets	1 3/4" – 2 1/4"	2 3/8" to 2 3/4"		
	MP000.000.FDPTP	MP000.000.FDPTQ	—	\$39
FDP Sets	1 3/4" – 2 1/4"	2 3/8" to 2 3/4"		
	MP000.000.FDPTP	MP000.000.FDPTQ	—	\$39

- Config #6 Multi-Point come standard for 1 3/4" to 2 1/4" door thickness. For thicker doors, please order a Thick Door kit according to the chart above. Specify cylinder finish where noted.
- Available cylinder finishes include 264 (Satin Chrome) and 040 (Satin Brass) ONLY.
- See finish chart on page 179 for cylinder finish recommendations.

ACT kits include:
8mm to 7.3mm Conversion Spindle, Keyed Cylinder, and Cylinder Installation Hardware

PAT kits include:
8mm to 7.3mm Conversion Spindle

AIN kits include:
Half spindle, and Spindle Installation Hardware

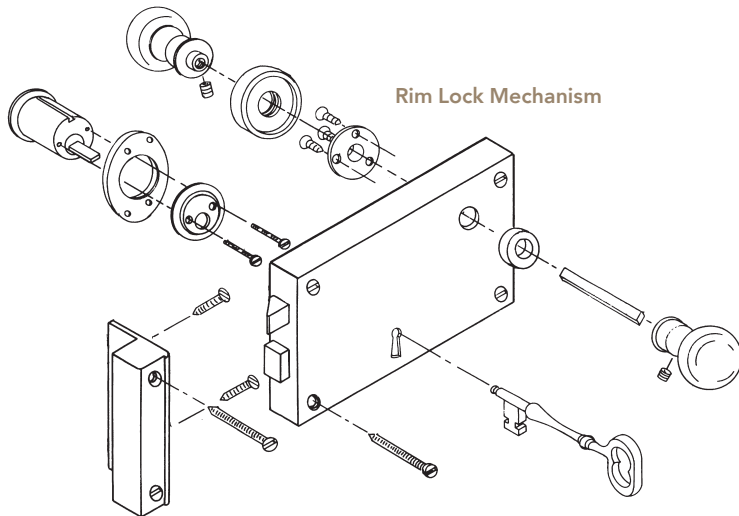
FDPTP kits include:
8mm to 7.3mm Conversion Spindle





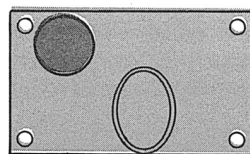
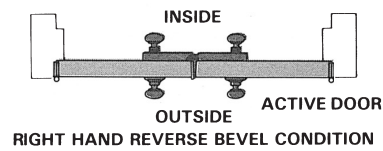
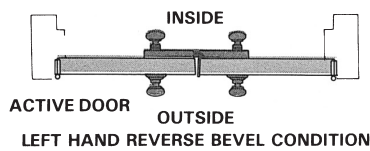
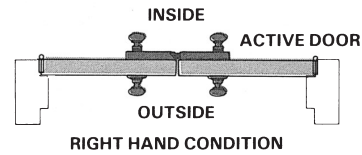
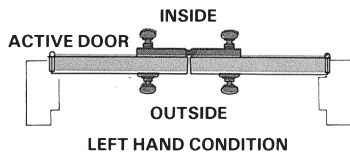
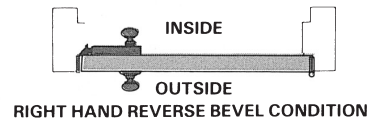
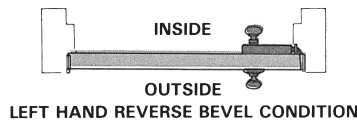
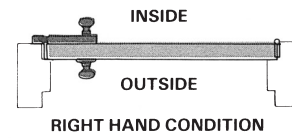
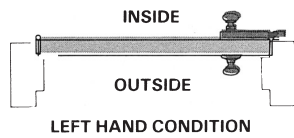
*RIM LOCKS &
CREMONE BOLTS*

Standard & Specifications



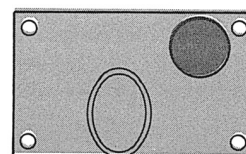
Pride in our American Heritage and renewed interest in its early history has greatly influenced U.S. architecture. With careful research and design, Baldwin has authentically reproduced a piece of that heritage – colonial rim locks.

- Constructed with solid forged brass parts for exceptional durability and smooth operation
- Trim designs secured to a broached spindle with an epoxy (resin) coated set screw – prohibits screw from loosening
- Interior rim locks use bit keys. Bit keys may be ordered fixed permanently into the lock by ordering as .RBIT or .LBIT configurations
- Rim locks are sold as sets with 5030 knob included
- 1.375" minimum door thickness is required



EXTERIOR PLATE,
LEFT HAND CONDITION
(SINGLE DOOR)

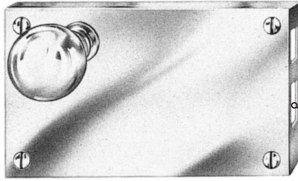
Handing of Rim Lock Plates



EXTERIOR PLATE,
RIGHT HAND CONDITION
(SINGLE DOOR)

NOTE: Hand of door is always determined from outside
IMPORTANT: A dummy trim rim lock must be used on ALL pairs of reverse bevel doors

Rim Locks



Full Dummy Rim Locks

Hollow rim lock case (without any working mechanism)

Included	Item #
Knob (Pair)	5030
Rose (Half Pair)	5002

Passage Rim Locks

Latch bolt by knob either side

Included	Item #
Knob (Pair)	5030
Rose (Half Pair)	5002

Privacy Rim Locks

Latch bolt by knob either side
Dead bolt by Bit Key either side

Included	Item #
Bit Key*	5755
Cover Plate	0406
Emergency Key	5753
Knob (Pair)	5030
Rose (Half Pair)	5002

Entrance Rim Locks

Latch bolt by knob either side
Dead bolt by key outside and slide bolt inside

Included	Item #
Cylinder	8333
Cylinder Cover Plate	6755
Cylinder Cover Plate*	6757
Knob (Pair)	5030
Rose (Half Pair)	5002

*Only in case of 5704



Exterior Trim

Full Dummy prepared as a strike for all function rim locks.

Exterior Trim

Included	Item #
Cylinder (Entrance Only)	6755
Knob	5030
Rose	5002

- RIM LOCKS ARE NOT REVERSIBLE – SPECIFY HAND OF DOORS
- IMPORTANT: A dummy trim rim lock must be used on ALL pairs of reverse bevel doors
- *Bit Key can be permanently fitted at an extra charge of \$10 (add 'BIT' to end of suffix: eg. 5600.xxx.R becomes 5600.xxx.RBIT)
- Emergency key – s/b stored in readily accessible place
- For 2 1/4" thick doors, 5" spindle required

Small Vertical Rim Lock

5600,
5602, 5604
Inside Trim

Pictured is the 5602 lock. Please note the 5600 & 5604 locks do not come with the Bit Key/ key hole.



Right Hand Door, Interior Trim Shown

Finish: 003, 031, 033, 044, 050, 055, 056, 060, 076, 102, 112, 190, 260

Item #	Description	Function	Wt.	Backset	Price
5600.xxx.R (.L, .RR, .LR)	Small Vertical	Passage	3.7	2.75"	\$1,193
5600.xxx.RFD (.LFD)	Small Vertical	Full Dummy	3.7	2.75"	\$597
5602.xxx.R (.L, .RR, .LR)	Small Vertical	Privacy	4.0	2.75"	\$1,393
5602.xxx.RFD (.LFD)	Small Vertical	Full Dummy	3.7	2.75"	\$717
5604.xxx.R (.L, .RR, .LR)*	Small Vertical	Entrance	4.6	2.75"	\$1,511
5604.xxx.RFD (.LFD)*	Small Vertical	Full Dummy	4.6	2.75"	\$757

CASE: 4.75" x 3.75" x .875"
KEEPER: 4.75" x .875" x 1.625"
BACKSET: 2.75"

Upright design well suited for narrow stile doors
*5604.xxx – Utilizes Slide Bolt instead of Bit Key.

7" Horizontal Rim Lock

5634
Inside Trim



Right Hand Door, Interior Trim Shown

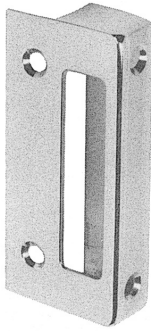
Finish: 003, 031, 033, 044, 050, 055, 056, 060, 076, 102, 112, 190, 260

Item #	Description	Function	Wt.	Backset	Price
5634.xxx.R (.L, .RR, .LR)	7" Horizontal	Entrance	5.5	5.25"	\$1,584
5634.xxx.RFD (.LFD)	7" Horizontal	Full Dummy	5.5	5.25"	\$947

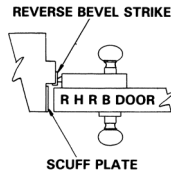
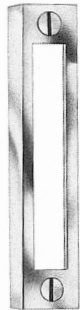
CASE: 4" x 6.75" x .875"
KEEPER: 4" x .875" x 1.625"
BACKSET: 5.25"

Trim Pieces

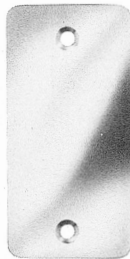
Rim Lock Keeper
(Strikes)



Reverse Bevel Keepers
(Strikes)



Scuff Plates



Finish: 003, 031, 033, 044, 050, 055, 056, 060, 076, 102, 112, 190, 260

Item #	Description		Fits Rim Lock	Price
5601.xxx	Keeper (Standard Strike)	4.75" x 0.875" x 1.625"	5600, 5602, 5604	\$117
5641.xxx	Keeper (Standard Strike)	5.75" x 0.875" x 1.625"	5644	\$117
5671.xxx	Keeper (Standard Strike)	3.75" x 0.875" x 1.625"	5704	\$117
5603.xxx	Reverse Bevel Keeper (Strike)	4.75" x 1" x .375"	5600, 5602, 5604	\$93
5628.xxx	Reverse Bevel Keeper (Strike)	4" x 1" x .375"	5634	\$93
5642.xxx	Reverse Bevel Keeper (Strike)	5.75" x 1" x .375"	5644	\$93
5672.xxx	Reverse Bevel Keeper (Strike)	3.75" x 1" x .375"	5704	\$93
5606.xxx	Scuff Plate	4.75" x 1.875"	5600, 5602, 5604	\$93
5633.xxx	Scuff Plate	4" x 1.875"	5634	\$93
5643.xxx	Scuff Plate	5.75" x 1.875"	5644	\$93
5673.xxx	Scuff Plate	3.75" x 1.875"	5704	\$93

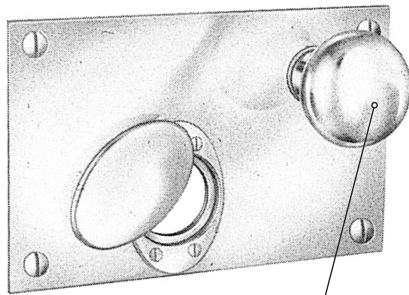
Scuff Plates

- Recommended on reverse bevel doors.
- Prevents damage to doors and latch bolts.
- Provides smoother lock operation.

Exterior only Lock Plate

5608, 5626, 5629, 5674

Pictured is the 5626.xxx.RSKC lock.



Knob trim NOT included
Lock Plates are used in place of cylinder collars
and roses on Cylinder-function Rim Locks

Finish: 003, 031, 033, 044, 050, 055, 056, 060, 076, 102, 112, 190, 260

Item #	Description	Door Handling	Door	Plate Prep	Size	Fits Rim Lock	Price
5608.xxx.RSKC (.LSKC)	Exterior Lock Plate				4.75" x 3.25"	5604	\$216
5626.xxx.RSKC (.LSKC)**	Exterior Lock Plate	R or L	Single	KC	4" x 6.25"	5634, 5636	\$216
5629.xxx.RSKC (.LSKC)	Exterior Lock Plate					5639	\$216
5674.xxx.RSKC (.LSKC)*	Exterior Lock Plate				3.75" x 4.25"	5704	\$216

*Does not include and cannot accommodate 6755 Swing Cover

**Beveled trim for 5626 lock plate is not available.

5608, 5626 & 5629 Plates: 6755 Cylinder Cover Plate is secure to the plate.

Note: Rose and Cylinder trim furnished with cylinder function rim locks can not be used w/ Lock Plate THICKNESS: .093"

Accessories

Finish: 003, 031, 033, 044, 050, 055, 056, 060, 076, 102, 112, 190, 260

Item #	Description	Price
0406.xxx	Colonial Emergency Release Trim & Key	\$66
5753.xxx	Emergency Release Key	\$54
5754.xxx	Key Plate	\$24
5755.xxx	Bit Key	\$54
5758.xxx	Solid Brass Spacer	\$16
6755.xxx	Cylinder Lock Cover Plate	\$147
8314.xxx	Wrought Cylinder Collar for Rim Locks	\$21

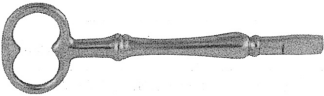
0406



0406.xxx – Colonial Emergency Release Trim & Key

SIZE: 2.312" x .687" (59 x 17mm).

5753



5753.xxx – Emergency Release Key

SIZE: 4" (102mm) long.
Designed for use with Privacy Rim Lock

5754



5754.xxx – Key Plate
SIZE: 2" x 1.125" (51 x 29mm).Key Plate

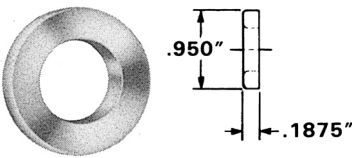
5755



5755.xxx Bit Key
SIZE: 4" (102mm) long.

FEATURES: Fits all Baldwin rim locks. Can be permanently fitted with locks to prevent unauthorized removal.

5758



5758.xxx – Solid Brass Spacer
Designed for use with knob trim during installation on rim lock case. Furnished standard with all rim lock sets.

6755



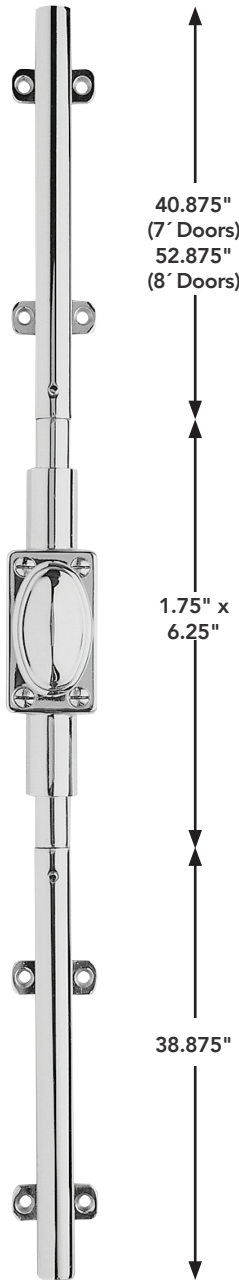
6755.xxx – Cylinder Cover Plate
SIZE: 2.375" x 1.625" (60 x 41mm)
FEATURES: For use with all standard rim lock cylinders (except 5704 Rim Lock)

8314



6755.xxx.001-3 – Blocking Rings
For 6755 Cylinder Cover Plate only

Cremone Bolts



8105.xxx
FOR ILLUSTRATION PURPOSES ONLY.
TRIM AVAILABLE ON EXTERIOR SIDE.



0310.xxx.ANGL
Angle Strike



0310.xxx.UNIV
Universal Strike



0310.xxx.MORT
Mortise Strike

Door Size	Stock parts to be ordered
up to 9 ft.	Standard 7 ft. Cremone Bolt and 2 ft. Extension
up to 10 ft.	Standard 8 ft. Cremone Bolt and 2 ft. Extension
up to 11 ft.	Standard 8 ft. Cremone Bolt and 4 ft. Extension
up to 12 ft.	Standard 8 ft. Cremone Bolt and 4 ft. Extension
above 12 ft.	Not Available

8105, 8106, & 8107.xxx Right Hand or Left Hand, 7 or 8 ft. units.

SOLID FORGED BRASS CONSTRUCTION

CASE SIZE: 1.75" x 6.25" (44 x 159mm)

BOLT DIMENSIONS: STANDARD 7 FT. LENGTH
Top Rod: .625" x 40.875" (16mm x 1.04m).
Bottom Rod: .625" x 38.875" (16mm x .99m)

STANDARD 8 FT. LENGTH
Top Rod: .625" x 52.875" (16mm x 1.34)
Bottom Rod: .625" x 38.875" (16mm x .99m)

THROW: When engaged: both bolts extend .75" (19mm) into jamb and sill.

GUIDES: 1.5" (38mm) wide. Decorative covers to conceal guides are available at an additional charge. Please consult price list.

FASTENERS: Case is surface mounted with 4 No. 8 x 1.25" Oval Phillips Head Screws for added strength and durability.

STRIKES: Furnished with 3 Strikes, one Universal, one Angle, and one Mortise to meet various door conditions.

SPINDLE: 1.375" (35mm) in length (NO. 8105.004) A straight spindle must be ordered when trim is ordered for the exterior side of the door. When paired with Estate rosette on exterior. Use "G" trim thickness when sizing spindle.

FEATURES: Often used as an elegant and functional addition to a pair of french doors with very narrow stile conditions. A typical application requires active cremone bolts mounted on each leaf of a pair of doors with no exterior access. Specify cremone bolt less knob (LK) or less lever (L), and order knob or lever minus rose (MR) of choice as a separate item.

SPECIAL CONDITIONS: When specified, most trim as illustrated in the knob/lever section is available for the exterior side to latch door. Indicate knob or lever to be furnished. Straight spindle must be purchased separately. In addition, for doors larger than 8 ft. see Cremone Bolt extension packets below.

PACKED: One in a box with three strikes and the appropriate fasteners. Cremone Bolts are available in two sizes, one for doors up to and including 7 ft. (2.13m) and one for doors between 7 ft. and 8 ft. in height, at an additional cost. A 42" centerline above the finished floor is considered standard with our Cremone Bolts.

NOTE: Always specify hand of door as Knob/Lever trim will turn only in one direction. See diagram on bottom of page for handling details. To enable greater job site flexibility, exact sizing of Cremone Bolts can be accomplished in the field. For doors larger than 8ft. in height, the addition of a Cremone Bolt extension packet is necessary. See table below.

ORDERING INFORMATION: The final suffix numbers will indicate the following:
Digit #1 of the suffix will indicate hand of the unit: either right (R) or left (L)
Digit #2 of the suffix will indicate length: either 7 ft. or 8 ft.
Digits #3 & #4 of the suffix will indicate a cremone bolt less knob or Lever (LK).

ORDERING EXAMPLES, KNOB/FUNCTION: Order cremone bolt and separate line item for knob:
8105.XXX.R7LK: Standard design 7 ft. Cremone bolt right hand less knob/lever
5000.XXX.IMR: 1 each 5000 knob minus rose

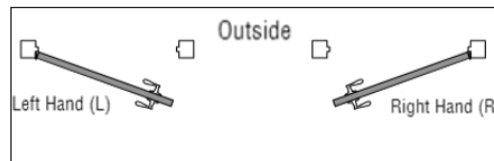
ORDERING EXAMPLES, LEVER/FUNCTION: Order cremone bolt and separate line item for lever:
8105.XXX.L7LL: Standard design 7 ft. Cremone bolt right hand less lever 1 each 5125 lever left hand minus rose: 5152.XXX.LMR
Nos. 8105, 8106 & 8107.XXX.R/7R/LK are furnished with guides less knobs or levers.

CREMONE BOLT EXTENSION PACKETS: 8106.XXX.E24 2 ft. Extension Packet - Ornamental Design
8106.XXX.E48 4 ft. Extension Packet - Ornamental Design
8107.XXX.E24 2 ft. Extension Packet - Contemporary Design
8107.XXX.E48 4 ft. Extension Packet - Contemporary Design

These packets contain all the parts necessary to extend the top rod length of stock 7 ft. or 8 ft. Cremone Bolts for special door situations. The following chart illustrates which item to order for a particular door size.

NOTE: Extension packets are only available for Cremone Bolts with decorative covers. Not available for use with 8105 Cremone Bolts.

Door Handing



Cremone Bolts

Finish: 003, 031, 033, 044, 050, 055, 056, 060, 076, 102, 112, 190, 260

8105



Item #	Function	Price
8105.xxx.R7LK (.L7LK)	Standard 7' Doors	\$911
8105.xxx.R8LK (.L8LK)	Standard 8' Doors	\$1,182
8106, 8107.xxx.R7LK (.L7LK)	Ornamental & Contemporary 7' Doors	\$1,092
8106, 8107.xxx.R8LK (.L8LK)	Ornamental & Contemporary 8' Doors	\$1,545
8105.xxx.GD	Cremone bolt rod guide	\$55
8105.xxx.REPL	Bottom replacement rod for all cremone bolts	\$273
8105.xxx.7TOP	Top replacement rod for cremone bolts for 7' doors	\$185
8105.xxx.8TOP	Top replacement rod for cremone bolts for 8' doors	\$273
8105.xxx.R510 (.L510)	Case assembly	\$273
8106.xxx.CVR	Ornamental cover for cremone & surface bolts	\$74
8107.xxx.CVR	Contemporary cover for cremone & surface bolts	\$74
8106.xxx.E24	24" extension rod w/ornamental cover	\$237
8107.xxx.E24	24" extension rod w/contemporary cover	\$237
8106.xxx.E48	48" extension rodw/ornamental cover	\$365
8107.xxx.E48	48" extension rod w/contemporary cover	\$365

8105.xxx – Standard Cremone Bolt

FEATURES: Supplied without decorative covers for guides.

NOTE: All 7 ft. Cremone Bolts are supplied with 4 guides and 8 ft. Cremone Bolts are supplied with 6 guides. Customer must purchase knob or lever, separately.

8106.xxx – Ornamental Cremone Bolt

FEATURES: Similar to 8105 Cremone Bolts except that the guides are concealed with decorative covers for a more elegant appearance.

8107.xxx – Contemporary Cremone Bolt

FEATURES: Similar to 8105 Cremone Bolts except that the guides are concealed with decorative covers for a more elegant appearance.

8106 & 8107 Covers

FEATURES: Covers available separately to facilitate stocking all designs.

PACKED: Includes fasteners.

WEIGHT: 8106: 2.7 lbs. (1.22kg), 8107: 3 lbs. (1.36kg)

Cremone bolts intended for use on INTERIOR doors only.

Cremone bolt rod cannot be distressed.

The following are recommended to match distressed finishes:

402 = 102

NOTE: Cremone bolts are sold less knob/lever. Customers select Estate Collection knob or lever of their choice. Cremone mechanism is handed. Select cremone in same hand as door.

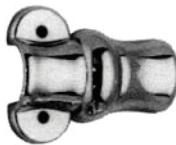
8106



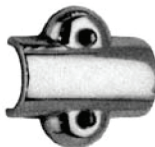
8107



8106
Ornamental



8107
Contemporary



GENERAL HARDWARE



0012 Letter Box Plate



Finish: 003, 031 033, 044, 050 055, 056, 060 076, 102, 112, 190, 260

Item #	Description	Wt.	Price
0012.xxx	Letter Box Plate, 13"x 3.625"	2	\$154

Package size – Spring tension design – Heavy gauge wrought brass 13"x 3.625" (330 x 92mm), Door prep opening: 11.562"x 2.812" (279 x 51mm)

FEATURES: Very large opening will accommodate small packages. Bronze spring keeps flap tightly closed at all times and permits vertical installation.

0014 Letter Box Plate



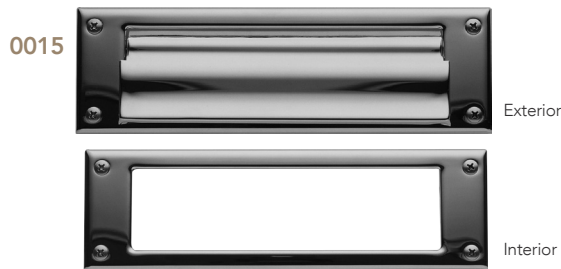
Finish: 003, 031 033, 044, 050 055, 056, 060 076, 102, 112, 190, 260

Item #	Description	Wt.	Price
0014.xxx	Letter Box Plate, 13"x 3.625"	2.5	\$199

Package size – Spring tension design w/ covered hinging back plate – Heavy gauge wrought brass 13"x 3.625" (330 x 92mm), Door prep opening: 11.562"x 2.812" (279 x 51mm)

FEATURES: In addition to the features of 0012, the hinging back plate provides additional privacy and decorative appearance. Not suitable for vertical installation.

0015 Letter Box Plate



Finish: 003, 031 033, 044, 050 055, 056, 060 076, 102, 112, 190, 260

Item #	Description	Wt.	Price
0015.xxx	Letter Box Plate, 10"x 3"	1	\$141

Magazine size – Spring tension design – Heavy gauge wrought brass 10"x 3" (254 x 92mm), Door prep opening: 8.25"x 2.375" (191 x 51mm)

FEATURES: Bronze spring keeps flap tightly closed at all times and permits vertical installation.

0017 Letter Box Plate



Finish: 003, 031 033, 044, 050 055, 056, 060 076, 102, 112, 190, 260

Item #	Description	Wt.	Price
0017.xxx	Letter Box Plate, 10"x 3"	1.5	\$183

Magazine size – Spring tension design w/ covered hinging back plate – Heavy gauge wrought brass 10"x 3" (254x 76mm), Door prep opening: 7.5"x 2" (191 x 51mm)

FEATURES: In addition to the features of 0015, the hinging back plate provides additional privacy and decorative appearance. Not suitable for vertical installation.

0050, 0052 Letterbox Sleeve

0050, 0052



Finish: 324

Item #	Description	Wt.	Price
0050.324	Letter Box Sleeve, fits 0015 & 0017	0.5	\$48
0052.324	Letter Box Sleeve, fits 0012 & 0014	0.5	\$53

0050.324: 8.0625" L x 2.25" W x 1.6875" D (205 x 57 x 43mm) - Fits our Letter Box Plates Nos. 0015 and 0017.

0052.324: 11.375" L x 2.75" W x 1.6875" D (289 x 70 x 43mm) - Fits our Letter Box Plates Nos. 0012 and 0014.

FEATURES: Made of stainless steel. Stocked for 1.75" (44mm) thick doors.

PACKED: One (1) per box with sheet metal screws.

0102, 0103 Colonial Knocker 

0102, 0103



Finish: 003, 031, 033, 044, 050, 055, 056, 060, 076, 102, 112, 190, 260, 402

Item #	Description	Wt.	Price
0102.xxx	Colonial Knocker	1	\$105
0103.xxx	Colonial Knocker w/ Observascope	1	\$126

SIZE: 6.5" x 3.5" (165 x 89mm)

CTC OF BOLTS: 4" (102mm)

PACKED: One (1) in a box, poly-bagged, with proper fasteners for 1.75" thick doors

0105 Knocker

0105



Finish: 003, 031, 033, 044, 050, 055, 056, 060, 076, 102, 112, 190, 260, 402

Item #	Description	Wt.	Price
0105.xxx	Knocker	1.9	\$126

SIZE: 5.5" x 4.0" (140 x 102mm)

CTC OF BOLTS: 4" (102mm)

PACKED: One (1) in a box, poly-bagged, with proper fasteners for 1.75" thick doors

0113 "S" Knocker 

0113



Finish: 003, 031, 033, 044, 050, 055, 056, 060, 076, 102, 112, 190, 260, 402

Item #	Description	Wt.	Price
0113.xxx	"S" Knocker	1.8	\$210

SIZE: 2" dia. base (51mm), 7.8" ht. (197mm), 2.8" projection (70mm)

CTC OF BOLTS: 4.75" (120mm)

PACKED: One (1) in a box, poly-bagged, with proper fasteners for 1.75" thick doors

0116 Imperial Knocker

0116



Finish: 003, 031, 033, 044, 050, 055, 056, 060, 076, 102, 112, 190, 260, 402

Item #	Description	Wt.	Price
0116.xxx	Imperial Knocker	1.2	\$126

SIZE: 8.5" x 4.125" (216 x 104mm)

CTC OF BOLTS: 4.75" (121mm)

PACKED: One (1) in a box, poly-bagged, with proper fasteners for 1.75" thick doors

0195 Ring Knocker 

0195



Finish: 003, 031, 033, 044, 050, 055, 056, 060, 076, 102, 112, 190, 260, 402

Item #	Description	Wt.	Price
0195.xxx	Ring Knocker	1.5	\$189

SIZE: 4.25" x 5.5" (108 x 140mm)

CTC OF BOLTS: 3.75" (95mm)

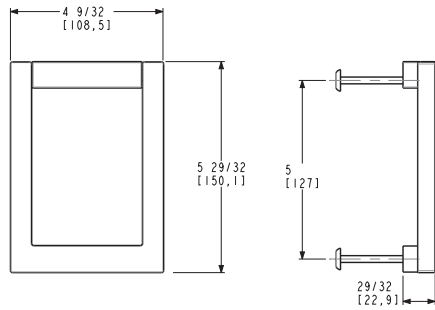
PACKED: One (1) in a box, poly-bagged, with proper fasteners for 1.75" thick doors

0183 Contemporary Knocker



Finish: 003, 031, 033, 044, 050, 055, 056, 060, 076, 102, 112, 190, 260

Item #	Description	Price
0183.xxx	Contemporary Knocker	\$210



0184, 0185 Modern Knocker



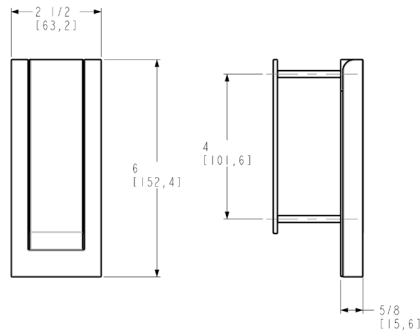
0184 Standalone



0185 Observascope

Finish: 003, 031, 033, 044, 050, 055, 056, 060, 076, 102, 112, 140, 190, 260, 402

Item #	Description	Price
0184.xxx	Modern Knocker	\$189
0185.xxx	Modern Knocker w/ Observascope	\$210



0155, 0156 Observascope



0155

0156

Finish: 030, 260

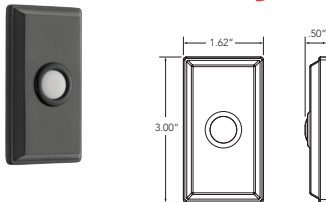
Item #	Description	Wt.	Price
0155.xxx	Observ-O-Scope (doors <2.25" thick)	0.06	\$23
0156.xxx	Observ-O-Scope (doors 2.25-3.25" thick)	0.06	\$25

SIZE: .5"(13mm) diameter quality lens.

FEATURES: Exterior lens constructed of scientific glass to prohibit scratching while creating a field of vision exceeding 160°. All viewers are furnished with a shutter.

INSTALLATION: Drill a .5"(13mm) hole completely through the door; insert the lens portion into the exterior side and the slotted scope portion through the interior side. Tighten together with a standard screwdriver.

4860 Rectangular Bell Button

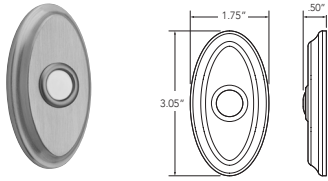


Finish: 003, 031, 033, 044, 050, 055, 056, 060, 076, 102, 112, 190, 260, 402

Item #	Description	Wt.	Price
4860.xxx	Rectangular Bell Button	0.3	\$45

*QUICK SHIP is available in functions and finishes shown in red.

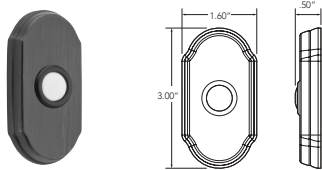
4861 Oval Bell Button 



Finish: 003, 031, 033, 044, 050, 055, 056, 060, 076, 102, 112, 190, 260, 402

Item #	Description	Wt.	Price
4861.xxx	Oval Bell Button	0.3	\$45

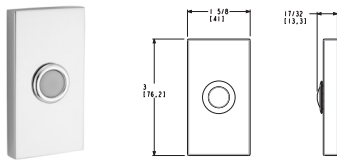
4862 Arch Bell Button 



Finish: 003, 031, 033, 044, 050, 055, 056, 060, 076, 102, 112, 190, 260, 402

Item #	Description	Wt.	Price
4862.xxx	Arch Bell Button	0.3	\$45

4863 Contemporary Bell Button 



Finish: 003, 031, 033, 044, 050, 055, 056, 060, 076, 102, 112, 190, 260

Item #	Description	Wt.	Price
4863.xxx	Contemporary Bell Button	0.3	\$45

House Numbers



Finish: 003, 031, 033, 044, 050, 055, 056, 060, 076, 102, 112, 190, 260, 402

Item #	Description	Wt.	Price
90670.xxx.CD	House Number - 0	0.6	\$36
90671.xxx.CD	House Number - 1	0.6	\$36
90672.xxx.CD	House Number - 2	0.6	\$36
90673.xxx.CD	House Number - 3	0.6	\$36
90674.xxx.CD	House Number - 4	0.6	\$36
90675.xxx.CD	House Number - 5	0.6	\$36
90676.xxx.CD	House Number - 6	0.6	\$36
90677.xxx.CD	House Number - 7	0.6	\$36
90678.xxx.CD	House Number - 8	0.6	\$36
90679.xxx.CD	House Number - 9	0.6	\$36

FEATURES: 4.75" tall solid forged brass residential house numbers applied with truss head wood screws.

PROJECTION: .312" (8mm)

PACKED: Includes fasteners

0250 Security Door Guard 



Finish: 003, 031, 033, 044, 050, 060, 076, 102, 112, 140, 150, 190, 260, 402

Item #	Description	Wt.	Price
0250.xxx	Security Door Guard	0.5	\$45

SIZE: Jamb Plate: 1" x 2.625" (25 x 67mm)

ARM LENGTH: Center of Rivets/Jamb Plate to End of Arm: 4.625" (117mm)

STRIKE PLATE: 1.187" x 1.187" (30 x 30mm)

STRIKE LENGTH: 3.062" (78mm)

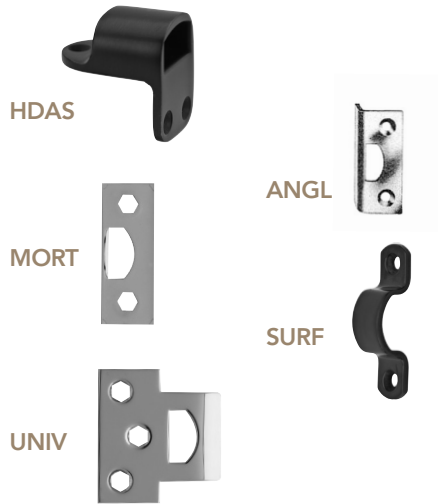
FEATURES: Allows door to be opened up to 4" while maintaining security. Hinges onto a strike mounted on door, eliminating scratching caused by conventional chain door fasteners. When not in use, the hinged door guard is positioned 180° away from door.

PACKED: Individually poly-bagged with sheet metal screws.

All bags are coded with product number, description and UPC codes.

*QUICK SHIP is available in functions and finishes shown in red.

0310 Strikes



Finish: 003, 031, 033, 044, 050, 055, 056, 060, 076, 102, 112, 140, 190, 260

Item #	Description	Wt.	Price
0310.xxx.HDAS	Strike – Heavy Duty Angle Use with: 0345, 0370, 0378, 0379, 0380, 0381, 0382, 0383	0.2	\$24
0310.xxx.ANGL	Strike – Angle Use with: 0345, 0379, 0380, 0381, 0382, 0383	0.1	\$24
0310.xxx.MORT	Strike – Mortise Use with: 0345, 0379, 0380, 0381, 0382, 0383	0.1	\$24
0310.xxx.SURF	Strike – Surface Use with: 0344, 0345, 0346, 0370, 0379, 0380, 0381, 0382, 0383	0.1	\$24
0310.xxx.UNIV	Strike – Universal Use with: 0344, 0345, 0346, 0370, 0379, 0380, 0381, 0382, 0383	0.2	\$24

0320 Strikes



Finish: 003, 031, 033, 044, 050, 060, 076, 102, 112, 140, 150, 190, 260

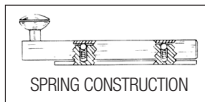
Item #	Description	Wt.	Price
0320.xxx.MORT	Strike – Mortise Use with: 0321, 0322	0.1	\$16
0320.xxx.UNIV	Strike – universal Use with: 0321, 0322	0.1	\$16

0321, 0322 General Purpose Surface Bolts

Supplied w/0320 Strikes

Finish: 003, 031, 033, 044, 050, 060, 076, 102, 112, 140, 150, 190, 260

0321,0322



Item #	Description	Wt.	Price
0321.xxx	Surface Bolt – 3"	1.8	\$38
0322.xxx	Surface Bolt – 4"	2.2	\$39

SIZES: .5"(13mm) width rod, .5"(13mm) width of guide, .875"(22mm) throw.

FEATURES: Mounted on a fully concealed guide of special design. Fasteners are not visible.

PACKED: Includes Universal and Mortise Strikes and screws.

BHMA DESIGNATION: L04151

0379 – 0383 Ornamental Heavy Duty Surface Bolt

Supplied w/0310 Strike

Finish: 003, 031, 033, 044, 050, 060, 076, 102, 112, 140, 150, 190, 260

0379 – 0383



Item #	Description	No. of Covers	Wt.	Price
0379.xxx	Surface Bolt – 6"(152mm)	2	3.5	\$112
0380.xxx	Surface Bolt – 8"(203mm)	2	0.8	\$141
0381.xxx	Surface Bolt – 12"(305mm)	3	1.2	\$174
0382.xxx	Surface Bolt – 18"(457mm)	3	1.7	\$202
0383.xxx	Surface Bolt – 24"(610mm)	4	1.9	\$241

SIZES: Width of rod: .625"(16mm). Width of guide: 1.75"(44mm).

FEATURES: Ornamental cover plates conceal mounting guides underneath the bolt without marring the surface of the rod. Large 1.25"(32mm) diameter knob designed for easier operation. Heavy gauge strikes will take high abuse. 0379 have smaller guide covers than shown on picture.

PACKED: Nos. 0379: 5 in a box with Universal and Mortise Strikes and screws.

All others: One in a box with Universal and Mortise Strikes and screws.

STRIKES: Additional strikes are available at an extra charge. Consult price list.

*QUICK SHIP is available in functions and finishes shown in red.

0340 Dutch Door Quadrant



Finish: 003, 031, 033, 044, 050, 055, 056, 060, 076, 102, 112, 190, 260, 402

Item #	Description	Wt.	Price
0340.xxx	Dutch Door Quadrant, 4" x 4.75"	0.7	\$110

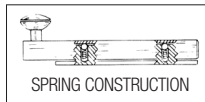
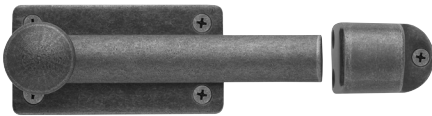
SIZES: Base: 1.5" x 2.5" (38x64mm). Overall: 4" x 4.75" (102x121mm). Length of bolt: 4.25" (108mm). Bolt throw: 1.125" (28mm).

FEATURES: Fully reversible, non-handed Double the tensile strength of ordinary sand castings Self-lubricating nylon washer for positive constant tension. When bolt is in locked position, both pivot and keeper are in straight line. Specially designed tapered strike promotes secure interlock of top and bottom leaves of Dutch doors.

PACKED: One in a box with wood screws.

0345 Heavy Duty Dutch Door Bolt
Supplied w/0310 Strike

0345



Finish: 003, 031, 033, 044, 050, 055, 056, 060, 076, 102, 112, 190, 260, 402

Item #	Description	Wt.	Price
0345.xxx	Dutch Door Bolt	3.8	\$110

SIZES: Rod width: .625" (16mm). Guide width: 1.5" (38mm). Length of bolt: 4.25" (108mm). Bolt throw: 1.125" (28mm).

FEATURES: Our Dutch Door Bolt is made of heavy solid brass extrusions, precisely fitted for easier operation. When used on Dutch doors, the leaves of doors are tightly joined by chamfered rod end. Proper amount of play is provided in strike allowing for misalignment of the two leaves. This prevents bolts from binding. Large and decorative 1.25" (32mm) diameter knob is for easier handling.

PACKED: 5 in a box with proper fasteners and strike as illustrated.

STRIKES: Universal, Angle, Mortise, and Surface Strikes available at an extra charge. Consult price list.

0392 - 0395 Flush Ring Pull

0392, 0393
0394, 0395



Finish: 003, 031, 033, 044, 050, 055, 056, 060, 076, 102, 112, 190, 260, 402

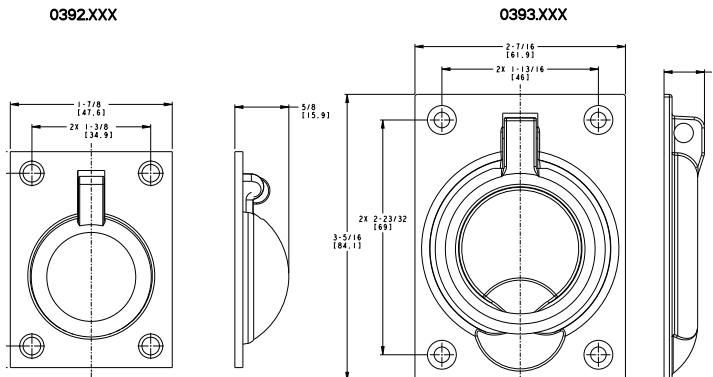
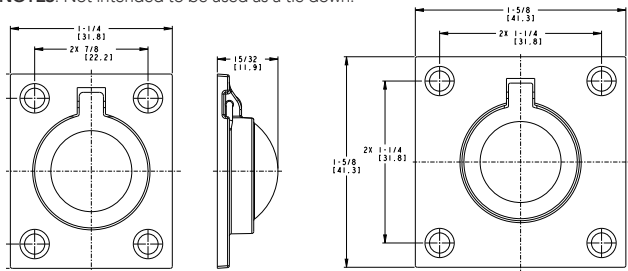
Item #	Description	Wt.	Price
0392.xxx	Flush Ring Pull – 1.25" x 1.5"	0.9	\$37
0393.xxx	Flush Ring Pull – 1.625" x 1.625"	1	\$40
0394.xxx	Flush Ring Pull – 1.875" x 2.5"	2.3	\$51
0395.xxx	Flush Ring Pull – 2.5" x 3.3"	4.5	\$66

FEATURES: Solid forged construction for maximum strength and durability, Flush Ring Pulls, are recommended for marine use and where flush installation is essential.

PACKED: Includes wood screws.

BHMA DESIGNATION: J404

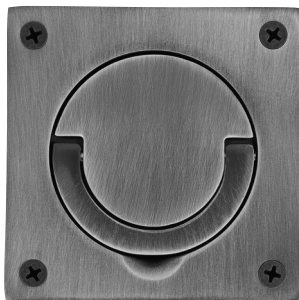
NOTES: Not intended to be used as a tie down.



*QUICK SHIP is available in functions and finishes shown in red.

0397 Flush Cup Handle & Ring Pull

0397



Finish: 003, 031, 033, 044, 050, 055, 056, 060, 076, 102, 112, 190, 260, 402

Item #	Description	Wt.	Price
0397.xxx	Flush Cup Handle (Brass) – 3.5" x 3.5"	0.9	\$231
0397.xxx.SOL	Flush Ring Pull for latches/locks w/solid spindle	0.9	\$231
0397.xxx.SWL	Flush Ring Pull for latches/locks w/swive spindle	0.9	\$231

FEATURES: Solid forged construction for maximum strength and durability, Flush Ring Pulls, are recommended for marine use and where flush installation is essential.

PACKED: Includes wood screws.

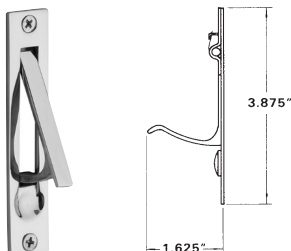
BHMA DESIGNATION: J404

NOTES: Not intended to be used as a tie down.

IMPORTANT: No. 0397 Flush Ring Pull is specifically designed for use with mortise locks latches. Available only for back-to-back or single mounting applications on a minimum door thickness of 1-3/4". Contact Customer Service for additional information.

0465 Edge Pull

0465



Finish: 003, 031, 033, 044, 050, 055, 056, 060, 076, 102, 112, 190, 260, 402

Item #	Description	Wt.	Price
0465.xxx	Edge Pull – .75" x 1.625" x 3.875"	1.2	\$24

FEATURES: Specially designed spring loaded Edge Pull returns lever flush with face plate. Narrow design eliminates installation problems on thin door conditions. Intended for use on pocket door applications.

PACKED: Includes wood screws.

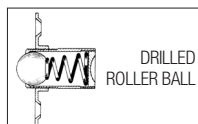
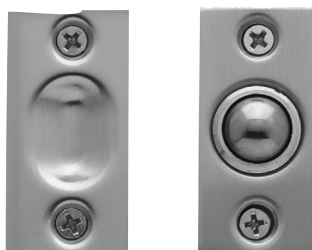
FEDERAL SPECIFICATION EQUIVALENTS: Government Type: 1861

BHMA DESIGNATION: D2801

NOTES: Not recommended for doors larger than 3.0' x 6'8" x 1.75" thick.

0425, 0426 Adjustable Ball Catch

0425
0426



Finish: 003, 031, 033, 044, 050, 055, 056, 060, 076, 102, 112, 140, 150, 190, 260

Item #	Description	Wt.	Price
0425.xxx	Adjustable Ball Catch (fitted in jamb)	2.1	\$32
0426.xxx	Adjustable Ball Catch (fitted in door)	2.2	\$32

SIZE: Face Plate: 1" x 2.125" (25 x 54mm)
Bore: .875" dia. x 1.25" long (22 x 32mm)
0425.xxx Strike: 1.06" x 2.125", Lip to Center: .56"
0426.xxx Strike: 1.375" x 2.125", Lip to Center: .875"

FEATURES: Dual adjustment ball bearing catch of excellent design takes advantage of rolling ball action for perfect tension. Infinite adjustments for compensation of various door clearances, swelling, shrinking, drafts and weights. Recommended for use on louvered, bi-folding, accordion, closet and light to medium service doors.

PACKED: Includes wood screws.

FEDERAL SPECIFICATION EQUIVALENTS: Government Type: 1861

BHMA DESIGNATION: D2801

NOTES: Not recommended for doors larger than 3.0' x 6'8" x 1.75" thick.

0440 Adjustable Roller Catch

0440



Finish: 003, 031, 033, 044, 050, 060, 076, 102, 112, 140, 150, 190, 260


Item #	Description	Wt.	Price
0440.xxx	Adjustable Roller Catch	2.2	\$37

SIZE: Face Plate: 1" x 2.25" (25x57mm)
Bore: 1" dia. x 1.625" long (25x41mm)
Strike: 1.125" x 2.75" (29x70mm)
Lip to Center: 1.312" (33mm)

FEATURES: Adjustable tension heavy duty roller catches made for cabinet, closet and interior doors. (Recommended for 1.375" thick hollow core doors). Easily installed on thick doors. Smooth action. Fully adjustable from 3 lbs. (1.36kg) to 18lbs. (8.16kg) of heading pressure. Equipped with durable nylon roller for quiet operation.

PACKED: Includes fasteners.

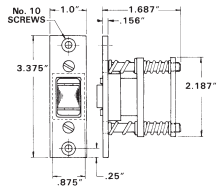
*QUICK SHIP is available in functions and finishes shown in red.

0430, 0432 Roller Latch 
w/strike

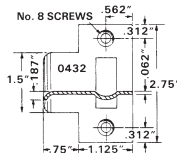
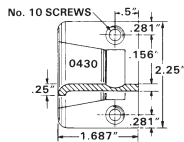
0430
0432



with
0430



with
0432



Finish: **003, 031, 033, 044, 050, 060, 076, 102, 112, 140, 150, 190, 260**

Item #	Description	Wt.	Price
0430.xxx	Roller Latch w/ Full Lip Strike	0.7	\$118
0432.xxx	Roller Latch w/ t Strike	0.7	\$118

SIZE: 0432.xxx Lip To Center Dimension: 1.25" (32mm).

FEATURES: Designed for use on interior doors in hospitals or where quiet operation is required. Very sturdy all forged brass construction throughout. Specifically compounded rubber roller silently engages the strike and holds the door firmly closed without the loud clicks of ordinary locks. The projection of the roller is adjustable for various door clearances. Specially designed adjusting screws, mounted in the face plate, permit fine and accurate adjustment of the roller projection for various door clearances after installation. Designed to ANSI template specifications.

PACKED: Includes wood screws and machine screws.

TEMPLATE: Doors/frames to be prepared in accordance with ANSI A115.1-1976 or A115.2-1980.

ORDERING INSTRUCTIONS: Item number listed under illustrated strike designates complete latch unit and strike. (Example: 0431 includes latch mechanism and ASA strike.)

FEDERAL SPECIFICATION EQUIVALENTS: Government Type: 193

BHMA DESIGNATION: EO9091

0452 Sash Lock 

0452



Finish: **003, 031, 033, 044, 050, 055, 056, 060, 076, 102, 112, 190, 260, 402**

Item #	Description	Wt.	Price
0452.xxx	Sash Lock	2.2	\$29

PROJECTION: .906" (23mm)

CTC OF HOLES: 2" (51mm)

FEATURES: Traditional style sash lock with heavy duty spring to provide constant tension for a non-rattling fit. Center to center of mounting screws conforms to industry standards.

PACKED: Includes necessary fasteners.

BHMA DESIGNATION: L05121

0458 Flush Pull 

0458



Finish: **003, 031, 033, 044, 050, 055, 060, 076, 102, 112, 150, 190, 260, 402**

Item #	Description	Wt.	Price
0458.xxx	Flush Pull, 1.5" x 3.5"	2.7	\$35

SIZE: Base: 1.5" x 3.5" (38 x 89mm)

THICKNESS OF FLANGE: .187" (5mm)

FEATURES: Decorative flush pull designed to be used as a sash lift or sliding door pull if pocket allows clearance. Colonial design makes it suitable for Early American interiors. Extra heavy solid forged brass construction.

NOTE: Pull has .25" projection

PACKED: Includes wood screws.

0470 Sash Lift 

0470



Finish: **003, 031, 033, 044, 050, 055, 060, 076, 102, 112, 150, 190, 260, 402**

Item #	Description	Wt.	Price
0470.xxx	Sash Lift, 4" x 1.125"	1	\$35

SIZE: Base: 4" x 1.125" (102 x 29mm)

PROJECTION: .1" (25mm)

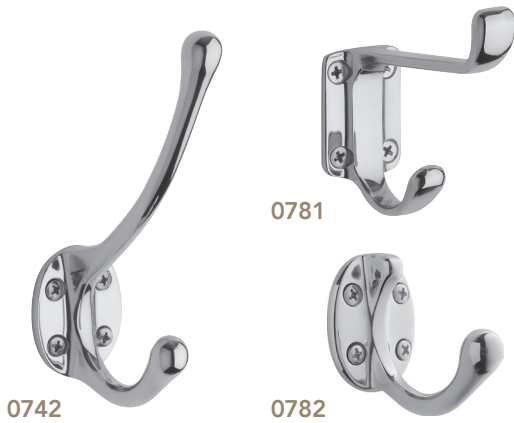
PACKED: Includes wood screws.

FEDERAL SPECIFICATION EQUIVALENTS: Government Type: 1204

BHMA DESIGNATION: L05181

*QUICK SHIP is available in functions and finishes shown in red.

0742, 0781, 0782 Costume Hook

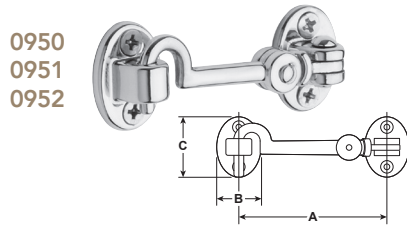


Finish: 003, 031, 033, 044, 050, 060, 076, 102, 112, 140, 150, 190, 260, 402

Item #	Description	Wt.	Price
0742.xxx	Costume Hook, 5.375"(137mm) h. x 3.5"(89mm) p.	0.5	\$44
0781.xxx	Costume Hook, 2.875"(73mm) h. x 3.25"(83mm) p.	1.1	\$44
0782.xxx	Costume Hook, 2.1875"(56mm) h. x 2.5"(64mm) p.	1	\$44

HEIGHT: 2.25"(57mm)
 PROJECTION: 3"(76mm)
 FEDERAL SPECIFICATION EQUIVALENTS: Government Type: 1172
 BHMA DESIGNATION: LO3111

0950 – 0952 Swivel Type Cabin Door Hook



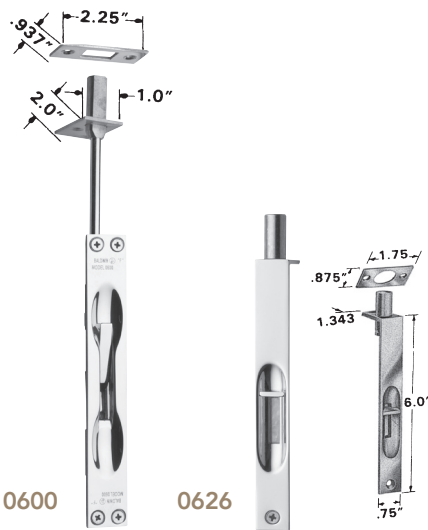
Finish: 003, 031, 033, 044, 050, 060, 076, 102, 112, 140, 150, 190, 260, 402

Item #	Description	Wt.	Price
0950.xxx	Cabin Door Hook – swivel type – 2.5"	1.5	\$79
0951.xxx	Cabin Door Hook – swivel type – 3.5"	3.4	\$79
0952.xxx	Cabin Door Hook – swivel type – 5.5"	5	\$79

FEATURES: These hooks are designed with a dual hinge action and tapered end to eliminate rattle and ensure secure fit.
 PACKED: Complete with wood screws.

Dimensions	A	B	C
0950.xxx	2.5"	0.84"	1.125"
0951.xxx	3.5"	1.125"	1.5"
0952.xxx	5.5"	1.25"	1.6"

0600, 0626 Flush Bolts



Finish: 003, 031, 033, 044, 050, 055, 056, 060, 076, 102, 112, 190, 260, 402

Item #	Description	Wt.	Price
0600.xxx.12	Flush Bolt w/ 12" Rod (Standard)	1.8	\$75
0600.xxx.18	Flush Bolt w/ 18" Rod	1.8	\$75
0600.xxx.24	Flush Bolt w/ 24" Rod	1.8	\$75
0626.xxx*	Flush Bolt – 6"	3.8	\$32

0600.xxx
 SIZE: Face Plate: 1" x 6.75"(25mm x 171mm), Bolt Head: .5"(13mm). Rod Backset: .75"(19mm)
 FEATURES: Hot forged extension bolt having over .75"(19mm) throw. Unique push button design of lever and delay action for easy operation. Lever does not engage the bolt until it is hinged freely to 45 angle. At this position it is easy to move the bolt head. Lever snaps automatically when hinged beyond 45 angle. Made to template for easy installation in metal door frames. Use of strike optional.
 PACKED: One in a box with 12"(305mm) rods standard. Bolts packed with machine/wood screws for all conditions. Lengths given are from center of bolt mechanism with bolt retracted.
 FEDERAL SPECIFICATION EQUIVALENTS: Government Type: 1049
 BHMA DESIGNATION: LO4081

0626.xxx
 * Not available in 055 or 056, but available in 140 and 150.
 SIZE: 1" Throw, .47" Backset of Rod, .5" Bolt Head Diameter.
 FEATURES: 6"(152mm) length. Sharply defined edge and recess. Smooth working action with automatic holding spring for both retracted and projected positions.
 PACKED: Individually poly-bagged with screws and strike, 10 in a box.

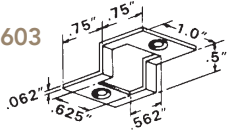
*QUICK SHIP is available in functions and finishes shown in red.

0602 - 0604 Rabbeted Parts

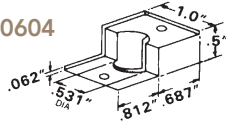
0602



0603



0604



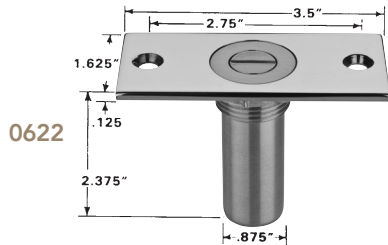
Finish: 003, 031, 033, 044, 050, 060, 076, 102, 112, 140, 150, 190, 260, 402

Item #	Description	Wt.	Price
0602.xxx	Rabbeted Piece for 0600 (Includes Screws)	0.8	\$76
0603.xxx	Rabbeted Strike		\$76
0604.xxx	Rabbeted Guide		\$61

0603.xxx, 0604.xxx

NOTE: All holes countersunk for no. 6F.M. screws.

0622 Locking Type Dustproof Strike



Finish: 003, 031, 033, 044, 050, 060, 076, 102, 112, 140, 150, 190, 260, 402

Item #	Description	Wt.	Price
0622.xxx	Dustproof Strike	0.6	\$90

FEATURES: Dustproof strike is ideal for concrete installations. Large size plate and the spread of screw holes have better holding power in concrete slabs. This dustproof strike can be used for installation in metal thresholds by removing the face plate. To install, drill 1" (25mm) diameter hole and tighten lock nut. To lock the strike for pedestrian traffic, insert a coin in slot and turn clockwise. To convert for flush bolt use, turn counterclockwise.

PACKED: Solid brass locking type dustproof strike with face plate, machine screws and expansion shields.

NOTE: For use with 0600 Flush Bolt only.

2000.xxx.0630 Kick Plate

2000.xxx.0630



Finish: 003, 044, 055, 056, 102, 112, 190

Item #	Description	Wt.	Price
2000.xxx.0630	6" x 30", .05" thick brass		\$299

FEATURES: Protect bottom of doors from scuffing. Holes are spaced approximately 6" on centers. Most plates supplied with Phillips head sheet metal screws to match. Plates are not beveled.

PACKED: Each plate is wrapped in strong kraft paper and supplied with matching fasteners.

PROTECTIVE COATING: All brass plates are coated with a highly durable baked-on enamel to protect the finish.

2000.xxx.0634, 2000.xxx.0830, 2000.xxx.0834 Kick Plates

2000.xxx.0634



Finish: 003, 031, 044, 050, 055, 056, 060, 102, 112, 190

Item #	Description	Wt.	Price
2000.xxx.0634	6" x 34", .05" thick brass		\$385
2000.xxx.0830	8" x 30", .05" thick brass		\$432
2000.xxx.0834	8" x 34", .05" thick brass		\$439

FEATURES: Protect bottom of doors from scuffing. Holes are spaced approximately 6" on centers. Most plates supplied with Phillips head sheet metal screws to match. Plates are not beveled.

PACKED: Each plate is wrapped in strong kraft paper and supplied with matching fasteners.

PROTECTIVE COATING: All brass plates are coated with a highly durable baked-on enamel to protect the finish.

2121 - 2124 Square Edge Push Plate

2121
2123
2124



Finish: 003, 031, 033, 044, 050, 055, 056, 060, 076, 102, 112, 190, 260

Item #	Description	Wt.	Price
2121.xxx	Square Edge Push Plate - 3" x 12"	0.5	\$55
2123.xxx	Square Edge Push Plate - 3.5" x 15"	0.9	\$55
2124.xxx	Square Edge Push Plate - 4" x 16"	1	\$55

FEATURES: Mix any door pulls and push plates shown to create your own look. Pulls are always centered on plates.

PACKED: Each plate is individually wrapped and furnished with oval head- undercut, stainless steel, sheet metal screws plated to match.

BHMA DESIGNATION: J301

*QUICK SHIP is available in functions and finishes shown in red.

2280, 2281 Nashville Push Plate



Finish: 003, 031, 033, 044, 050, 055, 056, 060, 076, 102, 112, 190, 260

Item #	Description	Wt.	Price
2280.xxx	Nashville Push Plate – 3.5" x 15"	1.9	\$158
2281.xxx	Nashville Push Plate – 3.5" x 20"	2.6	\$179

FEATURES: Mix any door pulls and push plates shown to create your own look. Pulls are always centered on plates.

PACKED: Each plate is individually wrapped and furnished with full thread wood screws.

2285 Bristol Push Plate



Finish: 003, 031, 033, 044, 050, 056, 060, 076, 102, 112, 140, 190, 260, 402

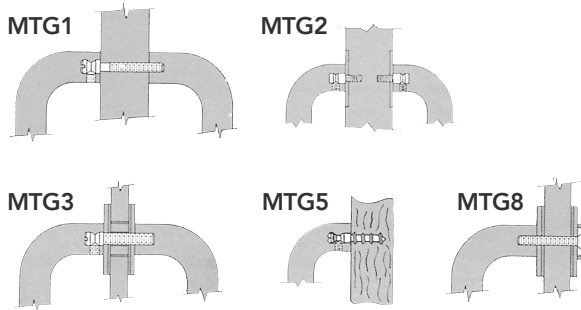
Item #	Description	Wt.	Price
2285.xxx	Bristol Push Plate – 2.75" x 11"	1.4	\$179

FEATURES: Mix any door pulls and push plates shown to create your own look. Pulls are always centered on plates.

PACKED: Each plate is individually wrapped and furnished with oval head-underscut, stainless steel, sheet metal screws plated to match.

Pull – Invisible Mounting Methods

Back-To-Back Applications without Push Plates only



Item #	Description	Price
xxxx.xxx.MTG1	Wood Door w/ thru Bolt, Back-to-Back Set	\$24
xxxx.xxx.MTG2	Hollow Metal Door, Back-to-Back Set	\$24
xxxx.xxx.MTG3	Glass Door Prep w/ rosettes, Back-to-Back Set	\$96
xxxx.xxx.MTG5	Wood Door, no thru Bolt, Per Pull	\$16
xxxx.xxx.MTG8	Glass Door Prep w/ rosettes, Per Pull	\$50

NOTE: MTG1 - Minimum Pull Thickness: .5" (13mm)
 MTG2 - Minimum Pull Thickness: .5" (13mm), Door must be reinforced at application points.
 MTG3 - Minimum Pull Thickness: .5" (13mm), Minimum Glass Thickness: 3/8", Hole Size: 7/8"
 MTG5 - Minimum Pull Thickness: .5" (13mm)
 MTG8 - Minimum Pull Thickness: None, Complete with screw cover

ORDERING INSTRUCTIONS: ALWAYS specify door thickness when ordering invisible mounting applications. Refer to examples when ordering pulls:

2704.xxx.MTG1 - will include two 2704 pulls and mounting hardware for specifications shown.

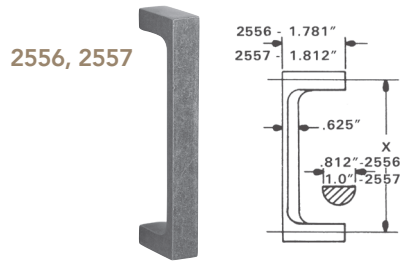
2704.xxx.MTG5 - will include one 2704 pull and mounting hardware for specifications shown.

NOTE: Set screw location will vary by style selected.

MTG1	MTG2	MTG3	MTG5	MTG8
2 Pulls	2 Pulls	2 Pulls	1 Pull	1 Pull
Example: 2557.Finish: \$150 x2 (= \$300)	Example: 2557.Finish: \$150x2 (= \$300)	Example: 2557.Finish: \$150 x2 (= \$300)	Example: 2557.Finish: \$150	Example: 2557.Finish: \$150
Mounting hardware for specifications shown. (\$24)	Mounting hardware for specifications shown. (\$24)	Mounting hardware for specifications shown. (\$96)	Mounting hardware for specifications shown. (\$16)	Mounting hardware for specifications shown. (\$50)
List Price Example: 2557.Finish: .MTG1 \$324	List Price Example: 2557.Finish: .MTG2 \$324	List Price Example: 2557.Finish: .MTG3 \$396	List Price Example: 2557.Finish: .MTG5 \$166	List Price Example: 2557.Finish: .MTG8 \$200

*QUICK SHIP is available in functions and finishes shown in red.

2556, 2557 Modern



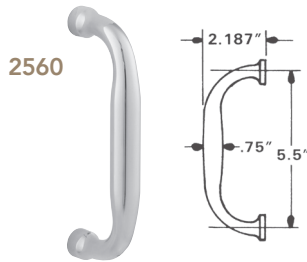
Finish: 003, 031, 033, 044, 050, 056, 060, 076, 102, 112, 140, 190, 260, 402

Item #	Description	Price
2556.xxx	Modern – 5.75" CTC	\$150
2557.xxx	Modern – 7" CTC	\$150

FEATURES: Mix any door pulls and push plates shown to create your own look. Contemporary and traditional screw covers are available to conceal heads of thru bolts.
PACKED: One pull in a box with thru bolts for 1.75" thick doors.
NOTE: For door thickness 1.825-2.25" use 6501.000.D conversion kit.
HANDICAP: Pulls designated have 1.5" minimum inside projection to meet ADA, ANSI & handicap code conditions.

2560 Utility

Not available for back-to-back mounting



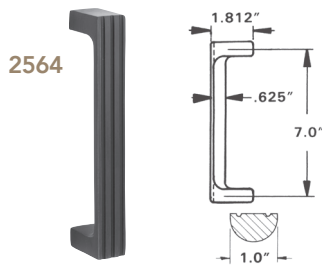
Finish: 003, 031, 033, 044, 050, 056, 060, 076, 102, 112, 140, 190, 260, 402

Item #	Description	Price
2560.xxx*	Utility – 5.5" CTC	\$150

*Not available back-to-back mounting

FEATURES: Mix any door pulls and push plates shown to create your own look. Contemporary and traditional screw covers are available to conceal heads of thru bolts.
PACKED: One pull in a box with thru bolts for 1.75" thick doors.
NOTE: For door thickness 1.825-2.25" use 6501.000.D conversion kit.
HANDICAP: Pulls designated have 1.5" minimum inside projection to meet ADA, ANSI & handicap code conditions.

2564 Tremont

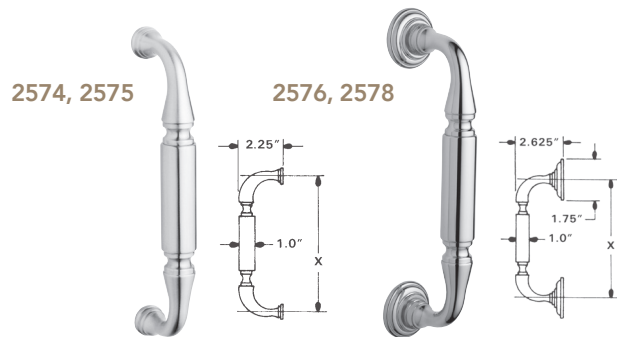


Finish: 003, 031, 033, 044, 050, 056, 060, 076, 102, 112, 140, 190, 260, 402

Item #	Description	Price
2564.xxx	Tremont – 7" CTC	\$150

FEATURES: Mix any door pulls and push plates shown to create your own look. Contemporary and traditional screw covers are available to conceal heads of thru bolts.
PACKED: One pull in a box with thru bolts for 1.75" thick doors.
NOTE: For door thickness 1.825-2.25" use 6501.000.D conversion kit.
HANDICAP: Pulls designated have 1.5" minimum inside projection to meet ADA, ANSI & handicap code conditions.

2574, 2575, 2576, 2578 Traditional



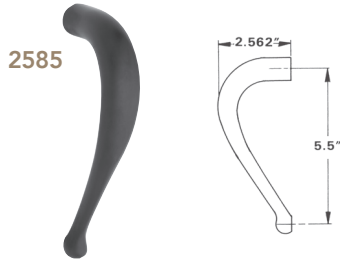
Finish: 003, 031, 033, 044, 050, 056, 060, 076, 102, 112, 140, 190, 260, 402

Item #	Description	Price
2574.xxx	Traditional – 8" CTC	\$150
2575.xxx	Traditional – 10" CTC	\$226
2576.xxx	Traditional w/roses – 8" CTC	\$226
2578.xxx	Traditional w/roses – 10" CTC	\$226

FEATURES: Mix any door pulls and push plates shown to create your own look. Contemporary and traditional screw covers are available to conceal heads of thru bolts.
PACKED: One pull in a box with thru bolts for 1.75" thick doors.
NOTE: For door thickness 1.825-2.25" use 6501.000.D conversion kit.
HANDICAP: Pulls designated have 1.5" minimum inside projection to meet ADA, ANSI & handicap code conditions.

2585 Concord

Not available for back-to-back mounting



Finish: 003, 031, 033, 044, 050, 056, 060, 076, 102, 112, 140, 190, 260, 402

Item #	Description	Price
2585.xxx*	Concord – 5.5" CTC	\$226

*Not available back-to-back mounting

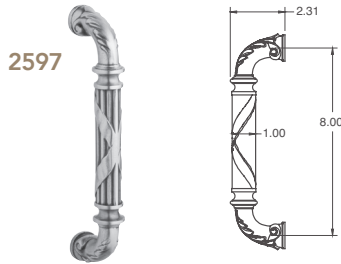
FEATURES: Mix any door pulls and push plates shown to create your own look. Contemporary and traditional screw covers are available to conceal heads of thru bolts.

PACKED: One pull in a box with thru bolts for 1.75" thick doors.

NOTE: For door thickness 1.825-2.25" use 6501.000.D conversion kit.

HANDICAP: Pulls designated have 1.5" minimum inside projection to meet ADA, ANSI & handicap code conditions

2597 Edinburgh



Finish: 003, 031, 033, 044, 050, 056, 060, 076, 102, 112, 140, 190, 260, 402

Item #	Description	Price
2597.xxx	Edinburgh – 8" CTC	\$226

FEATURES: Mix any door pulls and push plates shown to create your own look. Contemporary and traditional screw covers are available to conceal heads of thru bolts.

PACKED: One pull in a box with thru bolts for 1.75" thick doors.

NOTE: For door thickness 1.825-2.25" use 6501.000.D conversion kit.

HANDICAP: Pulls designated have 1.5" minimum inside projection to meet ADA, ANSI & handicap code conditions.

2598 Bristol



Finish: 003, 031, 033, 044, 050, 056, 060, 076, 102, 112, 140, 190, 260, 402

Item #	Description	Price
2598.xxx	Bristol – 6" CTC	\$226

FEATURES: Mix any door pulls and push plates shown to create your own look. Contemporary and traditional screw covers are available to conceal heads of thru bolts.

PACKED: One pull in a box with thru bolts for 1.75" thick doors.

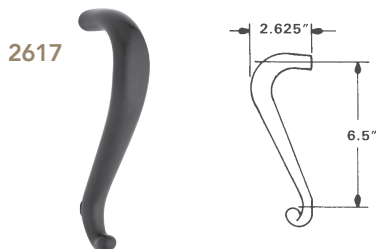
NOTE: For door thickness 1.825-2.25" use 6501.000.D conversion kit.

Not available in back to back mounting.

HANDICAP: Pulls designated have 1.5" minimum inside projection to meet ADA, ANSI & handicap code conditions.

2617 Springfield

Not available for back-to-back mounting



Finish: 003, 031, 033, 044, 050, 056, 060, 076, 102, 112, 140, 190, 260, 402

Item #	Description	Price
2617.xxx*	Springfield – 6.5" CTC	\$150

*Not available back-to-back mounting

FEATURES: Mix any door pulls and push plates shown to create your own look. Contemporary and traditional screw covers are available to conceal heads of thru bolts.

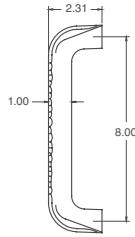
PACKED: One pull in a box with thru bolts for 1.75" thick doors.

NOTE: For door thickness 1.825-2.25" use 6501.000.D conversion kit.

HANDICAP: Pulls designated have 1.5" minimum inside projection to meet ADA, ANSI & handicap code conditions

2674 Pasadena

2674



Finish: 003, 031, 033, 044, 050, 056, 060, 076, 102, 112, 140, 190, 260, 402

Item #	Description	Price
2674.xxx	Pasadena – 8" CTC	\$226

FEATURES: Mix any door pulls and push plates shown to create your own look. Contemporary and traditional screw covers are available to conceal heads of thru bolts.

PACKED: One pull in a box with thru bolts for 1.75" thick doors.

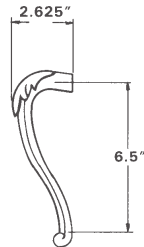
NOTE: For door thickness 1.825-2.25" use 6501.000.D conversion kit.

HANDICAP: Pulls designated have 1.5" minimum inside projection to meet ADA, ANSI & handicap code conditions.

2693 Kensington

Not available for back-to-back mounting

2693



Finish: 003, 031, 033, 044, 050, 056, 060, 076, 102, 112, 140, 190, 260, 402

Item #	Description	Price
2693.xxx*	Kensington/Victoria – 6.5" CTC	\$226

*Not available back-to-back mounting

FEATURES: Mix any door pulls and push plates shown to create your own look. Contemporary and traditional screw covers are available to conceal heads of thru bolts.

PACKED: One pull in a box with thru bolts for 1.75" thick doors.

NOTE: For door thickness 1.825-2.25" use 6501.000.D conversion kit.

HANDICAP: Pulls designated have 1.5" minimum inside projection to meet ADA, ANSI & handicap code conditions.

2542 Hollywood Hills

Not available for back-to-back mounting



Finish: 003, 031, 033, 044, 050, 055, 056, 060, 076, 102, 112, 190, 260

Item #	Description	Wt.	Price
2542.xxx	Hollywood Hills - 10" CTC	2.0	\$226

*Not available back-to-back mounting

FEATURES: Mix any door pulls and push plates shown to create your own look. Contemporary and traditional screw covers are available to conceal heads of thru bolts.

PACKED: One pull in a box with thru bolts for 1.75" thick doors.

NOTE: For door thickness 1.825-2.25" use 6501.000.D conversion kit.

HANDICAP: Pulls designated have 1.5" minimum inside projection to meet ADA, ANSI & handicap code conditions.

2579, 2580, 2581, 2582 Gramercy

2579, 2581



2580, 2582



Finish: 003, 031, 033, 044, 050, 055, 056, 060, 076, 102, 112, 190, 260, 402

Finish: M01, M02, M03, M04, M05, M06, M07, M08, M09, M10

Item #	Description	Price	Price
2579.xxx	Gramercy- 8" CTC	\$226	\$259
2580.xxx	Gramercy Knurled- 8" CTC	\$248	\$285
2581.xxx	Gramercy- 10" CTC	\$235	\$264
2582.xxx	Gramercy Knurled- 10" CTC	\$252	\$290

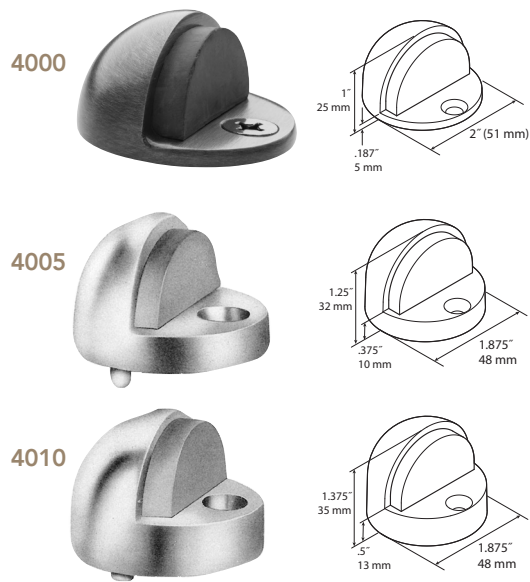
FEATURES: Mix any door pulls and push plates shown to create your own look. Contemporary and traditional screw covers are available to conceal heads of thru bolts.

PACKED: One pull in a box with thru bolts for 1.75" thick doors.

NOTE: For door thickness 1.825-2.25" use 6501.000.D conversion kit.

HANDICAP: Pulls designated have 1.5" minimum inside projection to meet ADA, ANSI & handicap code conditions.

4000, 4005, 4010
Half Dome Door Bumper

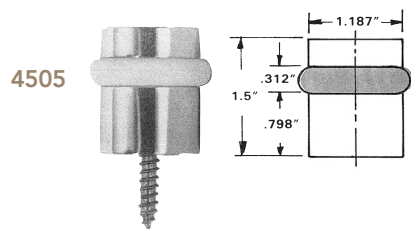


Finish: 030, 031, 033, 044, 050, 060, 076, 102, 112, 140, 150, 190, 260, 402

Item #	Description	Wt.	Price
4000.xxx	Half Dome Door Bumper – 1”h	12	\$21
4005.xxx	Half Dome Door Bumper – 1.25”h	16.6	\$21
4010.xxx	Half Dome Door Bumper – 1.375”h	19	\$21

FEATURES: “Half Dome” design minimizes stumbling hazards and cleaning interference. Thick solid rubber bumper of special design is compounded for greater resiliency.
PACKED: Individually poly-bagged with appropriate fasteners in a dispensing type carton.
FASTENERS: Supplied with fasteners for wood, plaster, and masonry installations.
FEDERAL SPECIFICATION EQUIVALENTS: Government Type: 1330/1330A
BHMA DESIGNATION: L02141 (No. 4000), L02161 (No. 4005/No. 4010)
REPLACEMENT RUBBER: No. 4000.406 for 4000/4005/4010 (Gray)

4505 Universal Floor Bumper



Finish: 003, 031, 033, 044, 050, 055, 056, 060, 076, 102, 112, 190, 260, 402

Item #	Description	Wt.	Price
4505.xxx	Floor Bumper – 1.187” d.	4	\$36

FEATURES: Designed for concealed mounting applications, this contemporary floor bumper contains the mounting screw within the body of the bumper. The rubber insert is located .798” (20mm) from the bottom to function on doors with a .375” (9.5mm) to a 1” (25mm) undercut. To facilitate the replacement of the rubber guard, simply remove the top cap.
PACKED: Individually poly-bagged with appropriate fasteners.
ORDERING INSTRUCTIONS: Supplied with a wood screw and plastic anchor.aa
REPLACEMENT RUBBER: No. 4507.406.0Finish: 0035 (Gray)

4510 Floor Bumper



Finish: 003, 031, 033, 044, 050, 060, 076, 102, 112, 140, 150, 190, 260, 402

Item #	Description	Wt.	Price
4510.xxx	Floor Bumper	0.6	\$45

FEATURES: Forged construction floor bumper is designed for use on doors with or without thresholds. Modern and streamlined shape reduces obtrusive appearance. High projection obviates the use of inventorying different heights of floor bumpers.
PACKED: Supplied with wood and masonry fasteners.
BHMA Designation: L02181
REPLACEMENT RUBBER: No. 5202.099.00009 (Gray)

*QUICK SHIP is available in functions and finishes shown in red.

4100, 4101, 4105, 4507 Lever Type Door Holder



Finish: 003, 031, 033, 044, 050, 060, 076, 102, 112, 140, 150, 190, 260, 402

Item #	Description	Wt.	Price
4100.xxx	Lever Door Holder – 4" L.-Max floor clearance: 3"	4.4	\$40
4101.406*	Replacement tip for 4100		\$8
4105.xxx	Lever Door Holder – 5" L.-Max floor clearance: 4"	5	\$44

*Finish 406 only (Gray)

FEATURES: Forged Brass construction incorporating a stainless steel hinging pin for added strength. This holder can be operated by foot. Highest quality non-marring rubber tip grips floor and holds the door at any desired opening. A spring catch holds the lever in an upright, disengaged position when holder is not in use. Specially designed rubber shoe will not loosen in service but can easily be replaced.

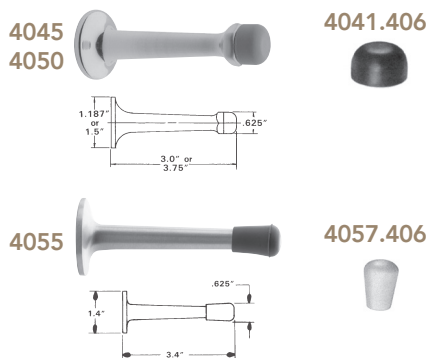
PACKED: Individually poly-bagged with appropriate fasteners in a dispensing type carton.

FASTENERS: Furnished standard with sheet metal screws.

Federal Specification Equivalents: Government Type: 1149A/1149B

BHMA DESIGNATION: L01391 (4100)L01381 (4105)

4041, 4045, 4050, 4055, 4057 Base Mounted Door Bumpers



Finish: 003, 031, 033, 044, 050, 055, 056, 060, 076, 102, 112, 150, 190, 260, 402

Item #	Description	Wt.	Price
4045.xxx	Wall Door Bumper – 3" Proj., 1.1875" d.	2	\$23
4041.406*	Replacement tip for 4045		\$8
4050.xxx**	Wall Door Bumper – 3.75" Proj., 1.5" d.	3	\$23
4055.xxx	Wall Door Bumper – 3.4" Proj., 1.1875" d.	2	\$23
4057.406*	Replacement tip for 4055		\$8

*Finish 406 Only (Gray)

**Not available in 056

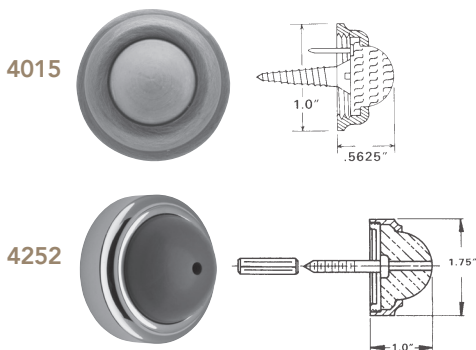
FEATURES: Solid forged brass construction for maximum strength and durability. Stem of bumper has hexagon section to facilitate fastening without damaging finish. Resilient rubber guard is replaceable.

4055.xxx is designed for quick and efficient installation by power driven tools, using socket type wrench.

PACKED: Individually poly-bagged with appropriate fasteners (1 per poly bag).

FASTENERS: Supplied with wood screw thread. **Federal Specification Equivalents:** Government Type: 1322BHMA DESIGNATION: L02031

4015, 4252 Convex Wall Bumpers



Finish: 003, 031, 033, 044, 050, 055, 060, 076, 102, 112, 140, 150, 190, 260, 402

Item #	Description	Wt.	Price
4015.xxx**	Wall Flush Bumper – 1" d.	0.8	\$19
4252.xxx*	Wall Flush Bumper – Convex Design	10	\$19

4015 FEATURES: Compact designed bumper permits installation in areas where larger bumpers are not suitable due to size or projection. Fasteners are totally concealed underneath durable rubber insert.

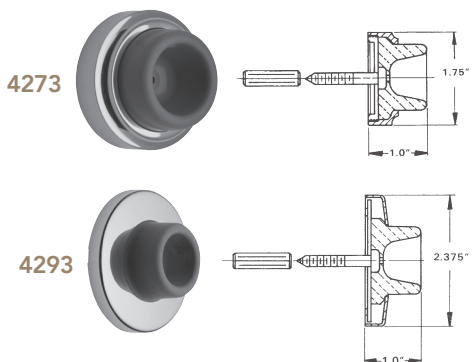
4252 FEATURES: Engineered for commercial/residential installations, this compact and contemporary designed bumper features completely concealed fasteners for an unobtrusive and screwless appearance. Supplied with wood and masonry fasteners, it is furnished unassembled to facilitate the substitution of fasteners. Designed for ease of installation, the bumper is attached onto a heavy gauge metal back plate through a threading application. For a fully theft proof installation, the use of a strap wrench for tightening or several drops of Loctite Grade A is recommended.

4252 PACKED: 50 in a box; individually poly-bagged with appropriate fasteners in a dispensing type carton.

FEDERAL SPECIFICATION EQUIVALENTS: Government Type: 1327 (4252 only)

BHMA DESIGNATION: L02101 (4015 & 4252)

4273, 4293 Concave Wall Bumpers



Finish: 003, 031, 033, 044, 050, 060, 076, 102, 112, 140, 150, 190, 260, 402

Item #	Description	Wt.	Price
4273.xxx	Wall Flush Bumper – Concave Design 1.75" d.	9.6	\$19
4293.xxx***	Wall Flush Bumper – Concave Design 2.375" d.	4.5	\$19

***Not available in Finish: 402

4273 FEATURES: Concave type rubber permits knob of button type lock to strike bumper without engaging lock mechanism. Special design protects lock mechanism from damage.

4293 FEATURES: Concave type rubber permits knob of button type lock to strike bumper without engaging lock mechanism. Special design protects lock mechanism from damage.

PACKED: Individually poly-bagged with wood and masonry fasteners in a dispensing type carton.

FEDERAL SPECIFICATION EQUIVALENTS: Government Type: 1327 (4293 only)

BHMA DESIGNATION: L22251 (4273 & 4293) **BHMA DESIGNATION:** L02101 (4015 & 4252)

*QUICK SHIP is available in functions and finishes shown in red.

MORTISE HINGE SPECIFICATIONS

FEATURES: Extruded brass, full mortise hinges are machined for precise installation and smooth movement. Knuckles are milled to a clearance of 0.010"(.25mm) to minimize vertical wear. Each hinge is beveled on the inside leaf to obtain a tight fit when viewing the hinge in a closed position, and furnished with stainless steel, rust-proof pins for added durability.

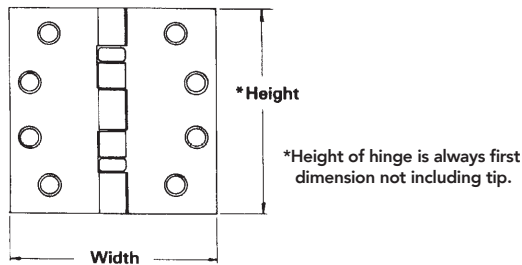
PIN DESIGN: Each pin is manufactured from precision ground Type 302, stainless steel material to prevent corrosion. The pin "floats" within the barrel of the hinge, yet is held in a stationary position. Pins can be removed by unthreading each finial and tapping the pin upward from the bottom of the barrel.

FINIAL DESIGN: Hinge finials are specially designed to thread into the top and bottom of the hinge barrel, preventing the pin from rising out of the hinge barrel. All tips are completely interchangeable to facilitate stocking and eliminate excessive inventories. Finials can be purchased separately in sets of four only. Hinges are furnished standard with button design finials.

FASTENERS: All full mortise hinges are supplied standard with appropriate size wood screws as noted on chart. Wood screws are fully threaded to the head and have an undercut head for secure installations.

BEVELED EDGE: Each Baldwin hinge is beveled on the inside leaf to obtain a tight fit when the hinge is in a closed position.

EXTRUSION: Hinges manufactured from solid brass extrusions have two inherent properties: exceptional strength and precision tolerances. Baldwin's extruded hinges are machined from a solid brass bar to exact tolerances to ensure an even wear between each knuckle. The result is a QUALITY hinge which can withstand above average door weights and stresses with maximum vertical and lateral wear performance.



TEMPLATE: All full mortise hinges illustrated within this section are designed in accordance with the most current specifications established by the American National Standards Institute (ANSI).

APPLICATION: Baldwin full mortise hinges are classified as STANDARD WEIGHT for installation on doors up to 1.75"(44mm) in thickness.

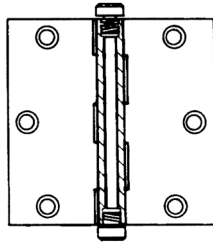
NUMBER OF HINGES: Use three hinges on doors up to and including 7.5 ft. (2.3m) and one additional hinge for each additional 2.5 ft. (.76m) or fraction thereof.

NON-REMOVABLE PINS (NRP): Hinges can be obtained with non-removable pins to prevent removal of hinge pins when the door is in a closed position. This special application is used when the hinge barrel is exposed to the exterior side of a building (Reverse Bevel Door Conditions). A stainless steel set screw is inserted into the barrel from the inside of the hinge (Emblem Mark Side), which intercepts a groove milled on the pin. (Not available on Hinge No. 1030). Furnished at an additional charge. Specify as follows: 1 pr 1040.Finish: 003.NRP Hinge - 4"x4"= 1040.Finish: 003.NRP

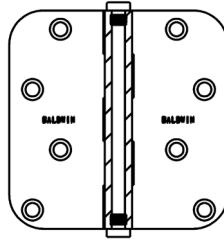
METAL DOOR APPLICATION: Machine screw packets are available to accommodate mortise hinge installation for metal doors.

- All hinges have a slight offset leaf which provides clearance of .077"(2mm) when leaves are closed and parallel.
- All hinges have template screw hole locations for use on either wood or hollow metal doors and frames.
- Pins are manufactured from precision ground, stainless steel material.
- All finials are threaded into the barrel of the hinge to prevent pin from rising.
- Finials are completely interchangeable with all full mortise hinge sizes.
- Furnished standard with Phillips head wood screws, undercut, fully threaded to the head.
- Inner leaf is beveled to ensure the tightest possible fit and enhance hinge appearance.
- Available with a Non-Removable Pin (NRP) feature (except No. 1030).

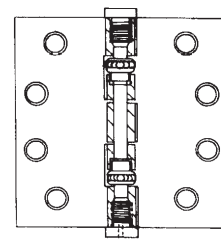
Hinge Construction



Square



Rounded



Ball Bearing

Replacement Screws

Square & Ball Bearing Hinges on METAL DOORS

Item #	Function	Per Box	020, 027, 022*	Finish: 003
1052.xxx.MS	METAL DOOR: 12 - 24 x 1/2" Flat Head, Phillips screws for use with 1040, 1041, 1045, 1046 & 1051 hinges	12	\$4	\$19
1063.xxx.MS	METAL DOOR: 10 - 24 x 1/2" Flat Head, Phillips screws for use with 1030 & 1035 hinges	9	\$4	\$19

*Finishes for Machine Screws: 020=030, 022=140, 027=102

Hinge Pins

Square, Rounded Ball Bearing Hinges ONLY

Item #	Description	Per Box	Price
1030.000.PIN	Hinge pins for 1030 hinges	3	\$4
1035.000.PIN	Hinge pins for 1035 hinges	3	\$4
1040.000.PIN	Hinge pins for 1040 and 1041 hinges	3	\$4
1045.000.PIN	Hinge pins for 1045 and 1046 hinges	3	\$4
1051.000.PIN	Hinge pins for 1051 hinges	3	\$4

1030 3"x 3" – Square Corner



Finish: 003, 031, 033, 044, 050, 055, 056, 060, 076, 102, 112, 190, 260, 402

Item #	Description	Wt.	Price
1030.xxx.l	Hinge – 3"x 3"	0.5	\$47

PACKED: One per box, each hinge poly-bagged with fasteners. Supplied with 6 – #10 Flat Head-Phillips wood screws.
NOTE: Hinge thickness: .093"

1035 3.5"x 3.5" – Square Corner



Finish: 003, 031, 033, 044, 050, 055, 056, 060, 076, 102, 112, 190, 260, 402

Item #	Description	Wt.	Price
1035.xxx.l	Hinge – 3.5"x 3.5"	0.7	\$50
1035.xxx.INRP	Hinge – 3.5"x 3.5"	0.7	\$60

PACKED: One per box, each hinge poly-bagged with fasteners. Supplied with 6 – #10 Flat Head-Phillips wood screws.
NOTE: Hinge thickness: .125"

1040 4"x 4" – Square Corner



Finish: 003, 031, 033, 044, 050, 055, 056, 060, 076, 102, 112, 190, 260, 402

Item #	Description	Wt.	Price
1040.xxx.l	Hinge – 4"x 4"	0.8	\$54
1040.xxx.INRP	Hinge – 4"x 4"	0.8	\$65

PACKED: One per box, each hinge poly-bagged with fasteners. Supplied with 8 – #12 Flat Head-Phillips wood screws.
NOTE: Hinge thickness: .130"

1045 4.5"x 4.5" – Square Corner



Finish: 003, 031, 033, 044, 050, 055, 056, 060, 076, 102, 112, 190, 260, 402

Item #	Description	Wt.	Price
1045.xxx.l	Hinge – 4.5"x 4.5"	1.0	\$58
1045.xxx.INRP	Hinge – 4.5"x 4.5"	1.0	\$68

PACKED: One per box, each hinge poly-bagged with fasteners. Supplied with 8 – #12 Flat Head-Phillips wood screws.
NOTE: Hinge thickness: .134"

1035, 1090 – 1093 Hinge Finials for Square Corner




Finish: 003, 031, 033, 044, 050, 055, 056, 060, 076, 102, 112, 190, 260

Item #	Description	Per Box	Price
1035.xxx.ITIP	Button tip	2	\$16
1090.xxx.l*	Ball tip	2	\$19
1091.xxx.l*	Urn tip	2	\$19
1092.xxx.l*	Acorn tip	2	\$19
1093.xxx.l*	Steeply tip	2	\$19

* To match 402 on hinge, order finial in 102 finish.

FEATURES: Hinge finials are specially-designed to thread into the top and bottom of the hinge barrel. All finials are completely interchangeable to facilitate stocking and eliminate excessive inventories. Finials can be purchased separately in sets of 2 only.

*QUICK SHIP is available in functions and finishes shown in red.

1135 3.5" x 3.5" – 5/8" Radius Corner 

1135



Finish: 003, 031, 033, 044, 050, 055, 056, 060, 076, 102, 112, 190, 260, 402

Item #	Description	Wt.	Price
1135.xxx.l	5/8" Radius Corner Hinge – 3.5" x 3.5"	0.7	\$34

PACKED: One per box, each hinge poly-bagged with fasteners. Supplied with #10 x 1" Flat Head-Phillips wood screws.
NOTE: NON-REMOVABLE PINS (NRP) NOT AVAILABLE on radius corner hinges. Hinge thickness: .093"Ç

1140 4" x 4" – 5/8" Radius Corner 

1140



Finish: 003, 031, 033, 044, 050, 055, 056, 060, 076, 102, 112, 190, 260, 402

Item #	Description	Wt.	Price
1140.xxx.l	5/8" Radius Corner Hinge – 4" x 4"	0.8	\$38

PACKED: One per box, each hinge poly-bagged with fasteners. Supplied with #10 x 1" Flat Head-Phillips wood screws.
NOTE: NON-REMOVABLE PINS (NRP) NOT AVAILABLE on radius corner hinges. Hinge thickness: .090"

1435 3.5" x 3.5" – 1/4" Radius Corner

1435



Finish: 003, 031, 033, 044, 050, 055, 056, 060, 076, 102, 112, 190, 260, 402

Item #	Description	Wt.	Price
1435.xxx.l	1/4" Radius Corner Hinge – 3.5" x 3.5"	0.7	\$34

PACKED: One per box, each hinge poly-bagged with fasteners. Supplied with #10 x 1" Flat Head-Phillips wood screws.
NOTE: NON-REMOVABLE PINS (NRP) NOT AVAILABLE on radius corner hinges. Hinge thickness: .093"

1440 4" x 4" – 1/4" Radius Corner

1440



Finish: 003, 031, 033, 044, 050, 055, 056, 060, 076, 102, 112, 190, 260, 402

Item #	Description	Wt.	Price
1440.xxx.l	1/4" Radius Corner Hinge – 4" x 4"	0.8	\$38

PACKED: One per box, each hinge poly-bagged with fasteners. Supplied with #10 x 1" Flat Head-Phillips wood screws.
NOTE: NON-REMOVABLE PINS (NRP) NOT AVAILABLE on radius corner hinges. Hinge thickness: .093"

1080, 1081, 1083 Hinge Finials for Radius Corner



1080

1081

1083

Finish: 003, 031, 033, 044, 050, 055, 056, 060, 076, 102, 112, 190, 260

Item #	Description	Price
1080.xxx.l*	Ball tip – Radius Corner Hinge	\$13
1081.xxx.l*	Button tip – Radius Corner Hinge	\$13
1083.xxx.l*	Steeple tip – Radius Corner Hinge	\$13
8490.xxx.RCS	Radius Corner Screws (Set of 4)	\$11

* To match 402 on hinge, order finial in 102 finish.

FEATURES: Hinge finials are specially-designed to thread into the top and bottom of the hinge barrel. All finials are completely interchangeable to facilitate stocking and eliminate excessive inventories. Finials can be purchased separately in sets of 2 only.

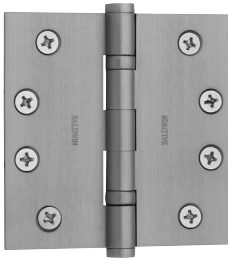
BALL BEARING HINGE SPECIFICATIONS

Each hinge is designed with two anti-friction ball bearing assemblies which are non-detachable. The balls inside each chamber are constructed from through-hardened, chrome alloy steel material to ensure a longer hinge life. The bearing races are machined from alloy steel which is then hardened and electroplated with a rust-resisting zinc-chromate finish. Our testing indicates that although this electroplate finish provides rust protection, when exposed to weather elements of exterior, the steel will eventually rust. The location of each assembly increases the vertical load capacity and greatly reduces both vertical and lateral wear of the hinge. As a result, all factors which normally contribute to hinge failure are significantly reduced. BALL BEARING HINGES ARE RECOMMENDED FOR DOORS EQUIPPED WITH DOOR CLOSERS AND/OR RECEIVING AVERAGE FREQUENCY SERVICE.

APPLICATION: STANDARD WEIGHT BALL BEARING hinges are designed for medium weight doors receiving average traffic in residential and light commercial construction. Ball bearing hinges are ALWAYS recommended for doors equipped with door closers.

1041 4"x 4"– Ball Bearing

1041



Finish: 003, 031, 033, 044, 050, 055, 056, 060, 076, 102, 112, 190, 260, 402

Item #	Description	Wt.	Price
1041.xxx.I	Ball Bearing Hinge – 4"x 4"	0.8	\$67
1041.xxx.INRP	Ball Bearing Hinge – 4"x 4"	0.9	\$71

PACKED: One per box, each hinge poly-bagged with fasteners. Supplied with #12 x 1.25" Flat Head-Phillips wood screws.

NOTE: Hinge thickness: .130"

1046 4.5"x 4.5"– Ball Bearing

1046



Finish: 003, 031, 033, 044, 050, 055, 056, 060, 076, 102, 112, 190, 260, 402

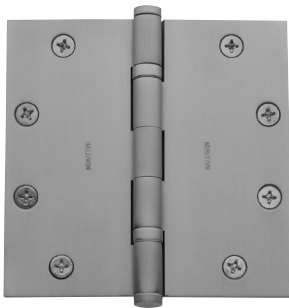
Item #	Description	Wt.	Price
1046.xxx.I	Ball Bearing Hinge – 4.5"x 4.5"	1.0	\$70
1046.xxx.INRP	Ball Bearing Hinge – 4.5"x 4.5"	1.0	\$75

PACKED: One per box, each hinge poly-bagged with fasteners. Supplied with #12 x 1.25" Flat Head-Phillips wood screws.

NOTE: Hinge thickness: .134"

1051 5"x 5"– Ball Bearing

1051



Finish: 003, 031, 033, 044, 050, 055, 056, 060, 076, 102, 112, 190, 260, 402

Item #	Description	Wt.	Price
1051.xxx.I	Ball Bearing Hinge – 5"x 5"	1.3	\$101
1051.xxx.INRP	Ball Bearing Hinge – 5"x 5"	1.3	\$109

PACKED: One per box, each hinge poly-bagged with fasteners. Supplied with #12 x 1.25" Flat Head-Phillips wood screws.

NOTE: Hinge thickness: .146"

1035, 1090 – 1093 Hinge Finials for Ball Bearing



1035

1090

1091

1092

1093

Finish: 003, 031, 033, 044, 050, 055, 056, 060, 076, 102, 112, 190, 260

Item #	Description	Price
1035.xxx.ITIP	Button tip	\$16
1090.xxx.I*	Ball tip	\$19
1091.xxx.I*	Urn tip	\$19
1092.xxx.I*	Acorn tip	\$19
1093.xxx.I*	Steeple tip	\$19

* To match 402 on hinge, order finial in 102 finish.

FEATURES: Hinge finials are specially-designed to thread into the top and bottom of the hinge barrel. All finials are completely interchangeable to facilitate stocking and eliminate excessive inventories. Finials can be purchased separately in sets of 2 only.

AWARD WINNING

CABINET HARDWARE



4416 Octagonal Knob 



Finish: 003, 031, 044, 055, 112, 150, 190, 260

Item #	Description	Price
4416.xxx.BIN	Octagonal Knob – 1.5" d. x 1.14" p.	\$34

PACKED: In individual poly bags and protective cartons with .75" long truss head screws. All bags are coded with product number, description & UPC code.

4417, 4418, 4419, 4420 Octagonal Pull 

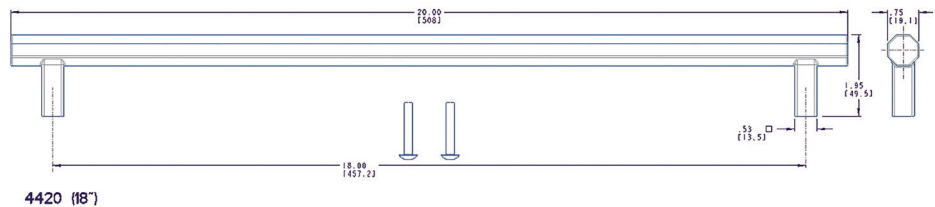


Finish: 003, 031, 044, 055, 112, 150, 190, 260

Item #	Description	Price
4417.xxx.BIN	Octagonal Pull – 4" CTC x 1.24" p.	\$44
4418.xxx.BIN	Octagonal Pull – 6" CTC x 1.24" p.	\$52
4419.xxx	Octagonal Pull - 12" CTC x 1.24" p.	\$210
4420.xxx	Octagonal Appliance Pull - 18" CTC	\$345

NOTE: 4" and 6" Pulls use 8-32 x 1" screws and mount on .75" thick doors/cabinets. 12" and 18" Pulls use 10-24 x 1.3" screws and mount on doors between .75" to 1" thick.

PACKED: All bags are coded with product number, description and UPC code. 12" and 18" Pulls ship one pull and screw pack in a box, and coded with product number, description and UPC code.



4425 Rectangle Raised Knob 



Finish: 003, 031, 044, 055, 112, 150, 190, 260

Item #	Description	Price
4425.xxx.BIN	Raised Knob – 1.5" d. x 1.1" p.	\$34

PACKED: In individual poly bags and protective cartons with .75" long truss head screws. All bags are coded with product number, description & UPC code. number, description and UPC code.

4426, 4427, 4428, 4429 Raised Pull 

Finish: 003, 031, 044, 055, 112, 150, 190, 260

Item #	Description	Price
4426.xxx.BIN	Raised Pull – 4" CTC x 1.38" p.	\$44
4427.xxx.BIN	Raised Pull – 6" CTC x 1.38" p.	\$52
4428.xxx	Raised Pull - 12" CTC x 1.38" p.	\$210
4429.xxx	Raised Appliance Pull - 18" CTC	\$345

NOTE: 4" and 6" Pulls use 8-32 x 1" screws and mount on .75" thick doors/cabinets. 12" and 18" Pulls use 10-24 x 1.3" screws and mount on doors between .75" to 1" thick.

PACKED: All bags are coded with product number, description and UPC code. 12" and 18" Pulls ship one pull and screw pack in a box, and coded with product number, description and UPC code.

4426



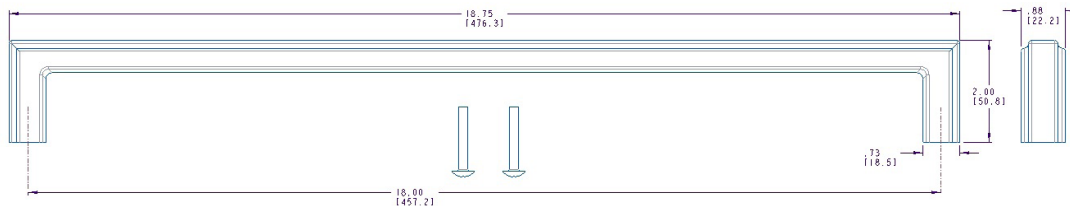
4427



4428



4429



4429 (18 INCH)

4410, 4411 Bevel Knob 

4410



4411



Finish: 031, 044, 055, 112, 150, 190, 260

Item #	Description	Price
4410.xxx.BIN	Bevel Knob – 1.25" d. x 1" p.	\$26
4411.xxx.BIN	Bevel Knob – 1.5" d. x 1" p.	\$34

NOTE: All knobs use 8-32 x 1" screws and mount on .75" thick doors/cabinets.
PACKED: All bags are coded with product number, description and UPC code.

4412, 4413, 4414, 4415 Bevel Pull 

4412



4413



4414



4415

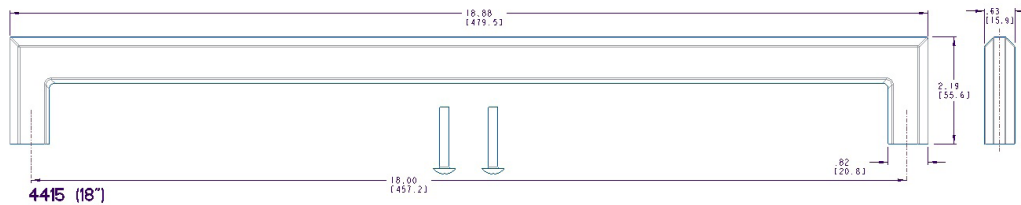


Finish: 031, 044, 055, 112, 150, 190, 260

Item #	Description	Price
4412.xxx.BIN	Bevel Pull – 4" CTC x 1.35" p.	\$44
4413.xxx.BIN	Bevel Pull – 6" CTC x 1.35" p.	\$52
4414.xxx	Bevel Pull - 12" CTC x 1.35" p.	\$210
4415.xxx	Bevel Appliance Pull - 18" CTC	\$345

NOTE: 4" and 6" Pulls use 8-32 x 1" screws and mount on .75" thick doors/cabinets.
 12" and 18" Pulls use 10-24 x 1.3" screws and mount on doors between .75" to 1" thick.

PACKED: All bags are coded with product number, description and UPC code.
 12" and 18" Pulls ship one pull and screw pack in a box, and coded with product number, description and UPC code.



*QUICK SHIP is available in functions and finishes shown in red.

4404, 4405 Contemporary Knob 



Finish: 003, 031, 044, 055, 112, 150, 190, 260

Item #	Description	Price
4404.xxx.BIN	Contemporary Knob – 1.25" d. x 1.06" p.	\$26
4405.xxx.BIN	Contemporary Knob – 1.5" d. x 1.06" p.	\$34

PACKED: In individual poly bags and protective cartons with .75" long truss head screws. All bags are coded with product number, description & UPC code.

4406, 4407, 4408, 4409 Contemporary Pull 

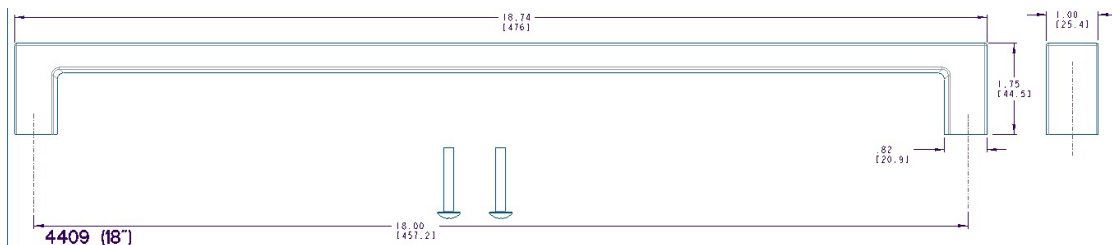


Finish: 003, 031, 044, 055, 112, 150, 190, 260

Item #	Description	Price
4406.xxx.BIN	Contemporary Pull – 4" CTC x 1.25" p.	\$44
4407.xxx.BIN	Contemporary Pull – 6" CTC x 1.25" p.	\$52
4408.xxx	Contemporary Pull - 12" CTC x 1.25" p.	\$210
4409.xxx	Contemporary Appliance Pull - 18" CTC	\$345

NOTE: 4" and 6" Pulls use 8-32 x 1" screws and mount on .75" thick doors/cabinets. 12" and 18" Pulls use 10-24 x 1.3" screws and mount on doors between .75" to 1" thick.

PACKED: All bags are coded with product number, description and UPC code. 12" and 18" Pulls ship one pull and screw pack in a box, and coded with product number, description and UPC code.



4430 Gramercy Knob 

Finish: 003, 031, 044, 055, 112, 150, 190, 260

Item #	Description	Price
4430.xxx.BIN	Gramercy Knob – 1.5" d.	\$34

NOTE: Knob comes with optional base plate to sit below knob base to best protect soft wood cabinets. All knobs use 8-32 x 1" screws and mount on .75" thick doors/cabinets.

PACKED: All bags are coded with product number, description and UPC code.



Shown with optional base plate.

4431, 4432, 4433, 4434 Gramercy Pull 

Finish: 003, 031, 044, 055, 112, 150, 190, 260

Item #	Description	Price
4431.xxx.BIN	Gramercy Pull – 4" CTC x 1.34" p.	\$44
4432.xxx.BIN	Gramercy Pull – 6" CTC x 1.34" p.	\$52
4433.xxx	Gramercy Pull - 12" CTC x 1.34" p.	\$210
4434.xxx	Gramercy Appliance Pull - 18" CTC	\$345

NOTE: 4" and 6" Pulls use 8-32 x 1" screws and mount on .75" thick doors/cabinets. 12" and 18" Pulls use 10-24 x 1.3" screws and mount on doors between .75" to 1" thick. Pulls come with optional base plates to sit beneath the pull legs. This is not required and is included for an optional design aesthetic.

PACKED: All bags are coded with product number, description and UPC code. 12" and 18" Pulls ship one pull and screw pack in a box, and coded with product number, description and UPC code.

4431



4432



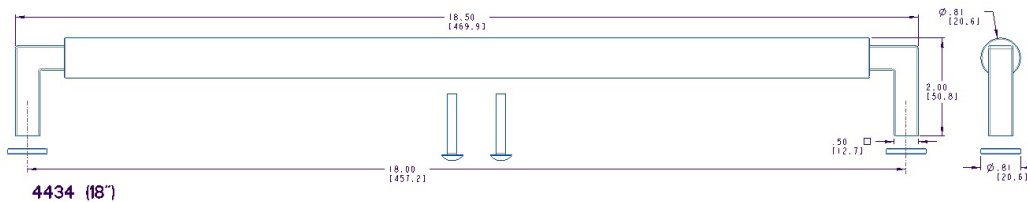
4433



4434



Shown with optional base plates.



*QUICK SHIP is available in functions and finishes shown in red.

4970 Palm Springs Knob 



Finish: 003, 031, 044, 055, 112, 150, 190, 260

Item #	Description	Price
4970.xxx.BIN	Palm Springs Knob – 1.5" d. x .65" x 1.145" p.	\$34

PACKED: In individual poly bags and protective cartons with .75" long truss head screws. All bags are coded with product number, description & UPC code.

4971, 4976, 4957, 4958 Palm Springs Pulls 

4971



4976



4957



4958

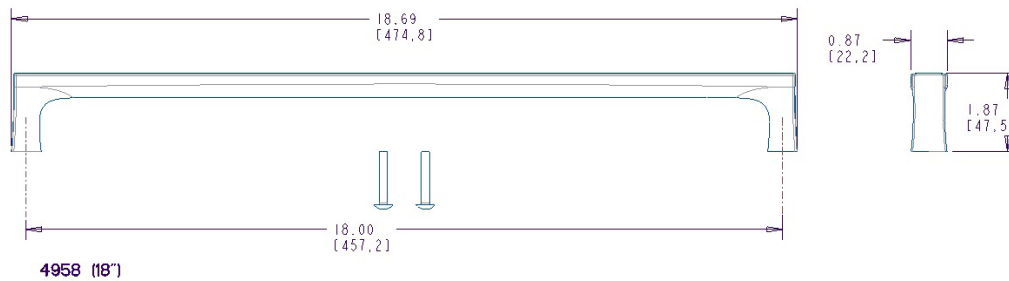


Finish: 003, 031, 044, 055, 112, 150, 190, 260

Item #	Description	Price
4971.xxx.BIN	Palm Springs Pull – 4" CTC x 1.145" p.	\$44
4976.xxx.BIN	Palm Springs Pull – 6" CTC x 1.145" p.	\$52
4957.xxx	Palm Springs Pull - 12" CTC	\$210
4958.xxx	Palm Springs Appliance Pull - 18" CTC	\$345

NOTE: 4" and 6" Pulls use 8-32 x 1" screws and mount on .75" thick doors/cabinets. 12" and 18" Pulls use 10-24 x 1.3" screws and mount on doors between .75" to 1" thick.

PACKED: All bags are coded with product number, description and UPC code. 12" and 18" Pulls ship one pull and screw pack in a box, and coded with product number, description and UPC code.



4972, 4973 Hollywood Hills Knob 

Finish: 003, 031, 044, 055, 112, 150, 190, 260

Item #	Description	Price
4972.xxx.BIN	Hollywood Hills Knob - 1.25" d.	\$26
4973.xxx.BIN	Hollywood Hills Knob - 1.5" d. x 1.125" p.	\$34

4972



4973



PACKED: In individual poly bags and protective cartons with .75" long truss head screws. All boxes are coded with product number, description & UPC code.

4400, 4486, 4955, 4956 Hollywood Hills Pulls 

Finish: 003, 031, 044, 055, 112, 150, 190, 260

Item #	Description	Price
4400.xxx.BIN	Hollywood Hills Pull - 4" CTC x 1.25" p.	\$44
4486.xxx.BIN	Hollywood Hills Pull - 6" CTC x 1.25" p.	\$52
4955.xxx	Hollywood Hills Pull - 12" CTC x 1.91" p.	\$210
4956.xxx	Hollywood Hills Appliance Pull - 18" CTC	\$345

4400



4486



4955

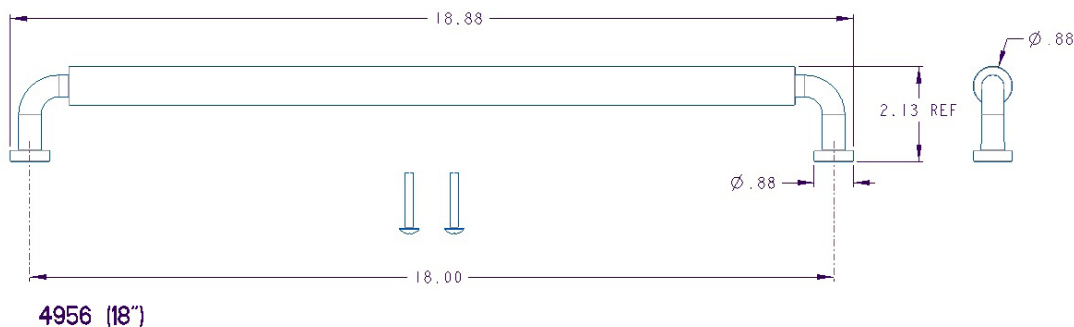


4956



NOTE: 4" and 6" Pulls use 8-32 x 1" screws and mount on .75" thick doors/cabinets. 12" and 18" Pulls use 10-24 x 1.3" screws and mount on doors between .75" to 1" thick.

PACKED: All bags are coded with product number, description and UPC code. 12" and 18" Pulls ship one pull and screw pack in a box, and coded with product number, description and UPC code.



*QUICK SHIP is available in functions and finishes shown in red.

4452, 4453 Severin Fayerman Collection A Knob

Finish: 003, 031, 044, 055, 112, 150, 190, 260

Item #	Description	Price
4452.xxx.BIN	Severin A Knob - 1" d.	\$26
4453.xxx.BIN	Severin A Knob - 1.25" d. x 1.13" p.	\$32



PACKED: In individual poly bags and protective cartons with .75" long truss head screws. All bags are coded with product number, description & UPC code.

4357, 4947, 4359, 4360 Severin Fayerman Collection A Pulls

Finish: 003, 031, 044, 055, 112, 150, 190, 260

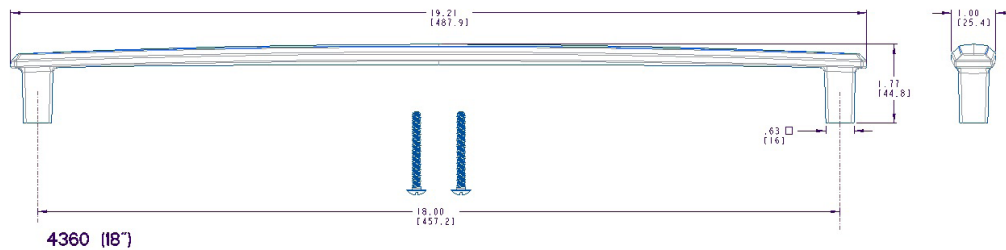
Item #	Description	Price
4357.xxx.BIN	Severin A Pull - 4" CTC x 1.3" p.	\$44
4947.xxx.BIN	Severin A Pull - 6" CTC x 1.3" p.	\$52
4359.xxx.BIN	Severin A Pull - 12" CTC x 1.3" p.	\$210
4360.xxx.BIN	Severin A Appliance Pull - 18" CTC	\$345



NOTE: 4" and 6" Pulls use 8-32 x 1" screws and mount on .75" thick doors/cabinets. 12" and 18" Pulls use 10-24 x 1.3" screws and mount on doors between .75" to 1" thick.

PACKED: All bags are coded with product number, description and UPC code. 12" and 18" Pulls ship one pull and screw pack in a box, and coded with product number, description and UPC code.

Dimensions	Mount CTC	Face Width
4359	12"	13.21"
4360	18"	19.21"



4623 Modern Knob 



Finish: 031, 044, 055, 112, 150, 190, 260

Item #	Description	Price
4623.xxx.BIN	Modern Knob – 1.5" d. x 1.07" p.	\$34

NOTE: Knobs use 8-32 x 1" screws and mount on .75" thick doors/cabinets.

PACKED: All boxes are coded with product number, description and UPC code.

4624, 4625 Modern Pull 



4624



4625

Finish: 031, 044, 055, 112, 150, 190, 260

Item #	Description	Price
4624.xxx.BIN	Modern Pull – 4" CTC x 1.07" p.	\$44
4625.xxx.BIN	Modern Pull – 6" CTC x 1.07" p.	\$52

NOTE: Pulls use 8-32 x 1" screws and mount on .75" thick doors/cabinets. The 4624 Pull can accommodate a pre-drilled 3", 3.5" and 4" CTC widths.

PACKED: All boxes are coded with product number, description and UPC code.

4620, 4621, 4622 Edge Pull 



4620



4621



4622


Finish: 003, 044, 055, 112, 150, 190, 260

Item #	Description	Price
4620.xxx.BIN	Edge Pull – 2" CTC x 1.125" p.	\$31
4621.xxx.BIN	Edge Pull – 4" CTC x 1.125" p.	\$44
4622.xxx.BIN	Edge Pull – 6" CTC x 1.125" p.	\$52

NOTE: Pulls use 8-32 x 1" screws and mount on .75" thick doors/cabinets.

PACKED: All boxes are coded with product number, description and UPC code.

*QUICK SHIP is available in functions and finishes shown in red.

4402, 4403 Tulip Knob 

4402



4403



Finish: 003, 031, 044, 055, 112, 150,190, 260

Item #	Description	Price
4402.xxx.bin	Tulip Knob - 1.25" d. x 1.2" p.	\$26
4403.xxx.bin	Tulip Knob - 1.5" d. x 1.2" p.	\$34

NOTE: All knobs use 8-32 x 1" screws and mount on .75" thick doors/cabinets.

PACKED: All bags are coded with product number, description and UPC code.

4454, 4456 Severin Fayerman Collection C Knob 

4454



4456



Finish: 003, 031, 044, 055, 112, 150,190, 260

Item #	Description	Price
4454.xxx.BIN	Severin C Knob - 1" d.	\$26
4456.xxx.BIN	Severin C Knob - 1.32" d. x 1.24" p.	\$34

NOTE: All knobs use 8-32 x 1" screws and mount on .75" thick doors/cabinets.

PACKED: All bags are coded with product number, description and UPC code.

4490, 4491 Dominion Knob 

4490
4491



Finish: 003, 031, 044, 055, 112, 150,190, 260

Item #	Description	Price
4490.xxx.BIN	Dominion Knob - 1" d. x 1.0" p.	\$22
4491.xxx.BIN	Dominion Knob - 1.25" d. x 1.0" p.	\$24

NOTE: All knobs use 8-32 x 1" screws and mount on .75" thick doors/cabinets.

PACKED: All bags are coded with product number, description and UPC code.

4704, 4706 Classic Knob 

4704
4706



Finish: 003, 031, 044, 055, 112, 150,190, 260

Item #	Description	Price
4704.xxx.BIN	Classic Knob - 1" d. x .937" p.	\$22
4706.xxx.BIN	Classic Knob - 1.25" d. x 1.157" p.	\$24

NOTE: All knobs use 8-32 x 1" screws and mount on .75" thick doors/cabinets.

PACKED: All bags are coded with product number, description and UPC code.

4910, 4913 Oval Knob 

4910
4913



Finish: 003, 031, 044, 055, 112, 150,190, 260

Item #	Description	Price
4910.xxx.bin	Oval Knob - 1.125" d. x .75" x 1.1" p	\$22
4913.xxx.bin	Oval Knob - 1.312" d. x 1" x 1.4" p	\$24

NOTE: Knobs use 8-32 x 1" screws and mount on .75" thick doors/cabinets.

PACKED: All bags are coded with product number, description and UPC code.
5/8" diameter at base

4960, 4961 Spherical Knob 

4960
4961



Finish: 030, 055, 102, 112, 150, 260

Item #	Description	Price
4960.xxx.BIN	Spherical Knob - 1" d. x 1.312" p.	\$22
4961.xxx.BIN	Spherical Knob - 1.25" d. x 1.562" p.	\$24

NOTE: All knobs use 8-32 x 1" screws and mount on .75" thick doors/cabinets.

PACKED: All bags are coded with product number, description and UPC code.

4421, 4422 Transitional Cup Pull 

4421



4422



Finish: 003, 031, 044, 055, 112, 150, 190, 260

Item #	Description	Price
4421.xxx.BIN	Transitional Cup Pull – 4" CTC	\$61
4422.xxx.BIN	Transitional Cup – 6" CTC	\$72

NOTE: All knobs use 8-32 x 1" screws and mount on .75" thick doors/cabinets.

PACKED: All bags are coded with product number, description and UPC code.

4424 Cup Pull 



Finish: 003, 031, 044, 055, 112, 150, 190, 260

Item #	Description	Price
4424.xxx.BIN	Cup Pull – 4" CTC x 1.2" p.	\$37

NOTE: All knobs use 8-32 x 1" screws and mount on .75" thick doors/cabinets.

PACKED: All bags are coded with product number, description and UPC code.

4480, 4401 Oval Pull 

4480



4401



Finish: 003, 031, 044, 055, 112, 150, 190, 260

Item #	Description	Price
4480.xxx.BIN	Oval Pull – 4" CTC x 1.2" p.	\$32
4401.xxx.BIN	Oval Pull – 6" CTC x 1.2" p.	\$37

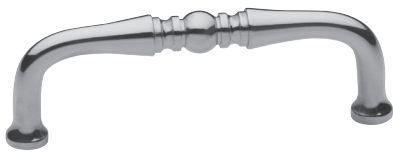
NOTE: All knobs use 8-32 x 1" screws and mount on .75" thick doors/cabinets.

PACKED: All bags are coded with product number, description and UPC code.

*QUICK SHIP is available in functions and finishes shown in red.

4964, 4946 Colonial Pull 

4964



4946



Finish: 003, 031, 044, 055, 112, 150, 190, 260

Item #	Description	Price
4964.xxx.BIN	Colonial Pull - 4" CTC x 1.6" p.	\$41
4946.xxx.BIN	Colonial Pull - 6" CTC x 1.6" p.	\$52

NOTE: All knobs use 8-32 x 1" screws and mount on .75" thick doors/cabinets.

PACKED: All bags are coded with product number, description and UPC code.

4362, 4364, 4365, 4395 Severin Fayerman Collection B Pulls 

4362



4395



4364



4365



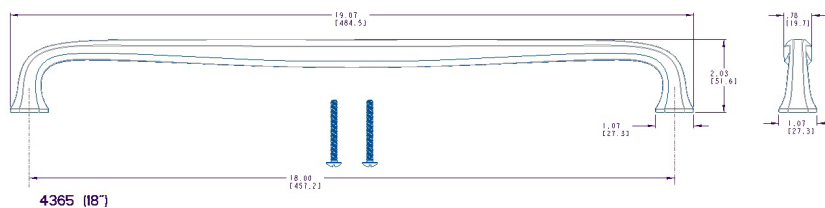
Finish: 003, 031, 044, 055, 112, 150, 190, 260

Item #	Description	Price
4362.xxx.BIN	Severin B Pull - 4" CTC x 1.5" p.	\$44
4395.xxx.BIN	Severin B Pull - 6" CTC x 1.5" p.	\$52
4364.xxx	Severin B Pull - 12" CTC x 1.5" p.	\$210
4365.xxx	Severin B Appliance Pull - 18" CTC	\$345

NOTE: 4" and 6" Pulls use 8-32 x 1" screws and mount on .75" thick doors/cabinets. 12" and 18" Pulls use 10-24 X 1.3" screws and mount on doors between .75" to 1" thick.

PACKED: All bags are coded with product number, description and UPC code. 12" and 18" Pulls ship one pull and screw pack in a box, and coded with product number, description and UPC code.

Dimensions	Mount CTC	Face Width	Face Height
4364	12"	12.9"	0.9"
4365	18"	19.1"	1.07"



4926, 4927 Contemporary Back Plate 



Finish: 003, 031, 044, 055, 112, 150, 190, 260

Item #	Description	Price
4926.xxx.BIN	Cont. Back Plate – 4" CTC	\$22
4927.xxx.BIN	Cont. Back Plate – 6" CTC	\$27

NOTE: Pair with any 4" or 6" CTC pull.

PACKED: All bags are coded with product number, description and UPC code.

4940, 4941 Transitional Back Plate 



Finish: 003, 031, 044, 055, 112, 150, 190, 260

Item #	Description	Price
4940.xxx.BIN	Trans. Back Plate – 4" CTC	\$22
4941.xxx.BIN	Trans. Back Plate – 6" CTC	\$27

NOTE: Pair with any 4" or 6" CTC pull.

PACKED: All bags are coded with product number, description and UPC code.

4902 Knob Back Plate



Finish: 003, 031, 044, 055, 112, 150, 190, 260

Item #	Description	Price
4902.xxx.BIN	Knob Back Plate – 1.5" d.	\$17

PACKED: In individual polybags. All bags are coded with product number, description and UPC code.

*QUICK SHIP is available in functions and finishes shown in red.

NUMERICAL INDEX

0012.xxx	205	0415.xxx	73	0530.004	69	1093.xxx.l	223	4357.xxx.bin	234
0014.xxx	205	0416.xxx	73	0530.004.A	69	1135.xxx.l	224	4359.xxx	234
0015.xxx	205	0417.022	73	0531.004	69	1140.xxx.l	224	4360.xxx	234
0017.xxx	205	0418.xxx	70	0531.004.A	69	1327.009	66	4362.xxx.bin	238
0050.324	205	0418.xxx.LTP	70	0532.004	69	1435.xxx.l	224	4364.xxx	238
0052.324	205	0419.xxx	70	0532.004.A	69	1440.xxx.l	224	4365.xxx	238
0102.xxx	206	0421.xxx	73	0533.004	69	2000.xxx.0630	214	4395.xxx.bin	238
0103.xxx	206	0422.xxx	73	0533.004.A	69	2000.xxx.0634	214	4400.xxx.bin	233
0105.xxx	206	0423.xxx	73	0539.004	69	2000.xxx.0830	214	4401.xxx.bin	237
0113.xxx	206	0424.xxx	73	0600.xxx.12	213	2000.xxx.0834	214	4402.xxx.bin	236
0116.xxx	206	0425.xxx	211	0600.xxx.18	213	2121.xxx	214	4403.xxx.bin	236
0129.xxx	74	0426.xxx	211	0600.xxx.24	213	2123.xxx	214	4404.xxx.bin	230
0155.xxx	207	0430.xxx	212	0602.xxx	214	2124.xxx	214	4405.xxx.bin	230
0156.xxx	207	0432.xxx	212	0603.xxx	214	2280.xxx	215	4406.xxx.bin	230
0174.xxx	74	0440.xxx	211	0604.xxx	214	2281.xxx	215	4407.xxx.bin	230
0175.xxx	74	0452.xxx	212	0622.xxx	214	2285.xxx	215	4408.xxx.bin	230
0176.xxx	74	0458.xxx	212	0626.xxx	213	2542.xxx	218	4409.xxx.bin	230
0183.xxx	207	0465.xxx	211	0742.xxx	213	2556.xxx	216	4410.xxx.bin	229
0184.xxx	207	0470.xxx	212	0781.xxx	213	2557.xxx	216	4411.xxx.bin	229
0185.xxx	207	0509.004	69	0782.xxx	213	2560.xxx	216	4412.xxx.bin	229
0195.xxx	206	0509.004.A	69	0950.xxx	213	2564.xxx	216	4413.xxx.bin	229
0250.xxx	208	0510.004	69	0951.xxx	213	2574.xxx	216	4414.xxx.bin	229
0310.xxx.ANGL	209	0510.004.A	69	0952.xxx	213	2575.xxx	216	4415.xxx.bin	229
0310.xxx.HDAS	209	0511.004	69	1030.000.PIN	222	2576.xxx	216	4416.xxx.bin	227
0310.xxx.MORT	209	0511.004.A	69	1030.xxx.l	223	2578.xxx	216	4417.xxx.bin	227
0310.xxx.SURF	209	0512.004	69	1035.000.PIN	222	2579.xxx	218	4418.xxx.bin	227
0310.xxx.UNIV	209	0512.004.A	69	1035.xxx.l	223	2581.xxx	218	4419.xxx	227
0320.xxx.MORT	209	0513.004	69	1035.xxx.INRP	223	2581.xxx	218	4420.xxx	227
0320.xxx.UNIV	209	0513.004.A	69	1035.xxx.ITIP	223	2582.xxx	218	4421.xxx.bin	237
0321.xxx	209	0514.004	69	1040.000.PIN	222	2585.xxx	217	4422.xxx.bin	237
0322.xxx	209	0514.004.A	69	1040.xxx.l	223	2597.xxx	217	4424.xxx.bin	237
0340.xxx	210	0515.004	69	1040.xxx.INRP	223	2598.xxx	217	4425.xxx.bin	228
0345.xxx	210	0515.004.A	69	1041.xxx.l	225	2617.xxx	217	4426.xxx.bin	228
0379.xxx	209	0516.004	69	1041.xxx.INRP	225	2674.xxx	218	4427.xxx.bin	228
0380.xxx	209	0516.004.A	69	1045.000.PIN	222	2693.xxx	218	4428.xxx.bin	228
0381.xxx	209	0517.004	69	1045.xxx.l	223	4000.xxx	219	4429.xxx.bin	228
0382.xxx	209	0519.004	69	1045.xxx.INRP	223	4005.xxx	219	4430.xxx.bin	231
0383.xxx	209	0519.004.A	69	1046.xxx.l	225	4010.xxx	219	4431.xxx.bin	231
0392.xxx	210	0520.004.A	69	1046.xxx.INRP	225	4015.xxx	220	4432.xxx.bin	231
0393.xxx	210	0520.004	69	1051.000.PIN	222	4041.406	220	4433.xxx.bin	231
0394.xxx	210	0521.004	69	1051.xxx.l	225	4045.xxx	220	4434.xxx.bin	231
0395.xxx	210	0521.004.A	69	1051.xxx.INRP	225	4050.xxx	220	4452.xxx.bin	234
0397.xxx	211	0522.004	69	1052.xxx.MS	222	4055.xxx	220	4453.xxx.bin	234
0403.xxx	73	0522.004.A	69	1063.xxx.MS	222	4057.406	220	4454.xxx.bin	236
0404.xxx	73	0523.004	69	1080.xxx.l	224	4100.xxx	220	4456.xxx.bin	236
0406.xx	73	0524.004	69	1081.xxx.l	224	4101.406	220	4480.xxx.bin	237
0407.xxx	73	0524.004.A	69	1083.xxx.l	224	4105.xxx	220	4486.xxx.bin	233
0413.xxx	70	0525.004	69	1090.xxx.l	223	4252.xxx	220	4490.xxx.bin	236
0413.xxx.LTP	70	0525.004.A	69	1091.xxx.l	223	4273.xxx	220	4491.xxx.bin	236
0414.xxx	70	0527.004	69	1092.xxx.l	223	4293.xxx	220	4505.xxx	219

4510.xxx	219	5021.xxx	55	5083.xxx Pre-Configured	17	5137.xxx Pre-Configured	38	5216.xxx	78
4620.xxx.bin	235	5023.xxx A La Carte	20	5084.009.0002	66	5138.xxx A La Carte	39	5218.xxx.ENTR	78
4621.xxx.bin	235	5023.xxx Pre-Configured	20	5084.xxx.A	74	5138.xxx Pre-Configured	39	5219.xxx.ENTR	78
4622.xxx.bin	235	5024.xxx A La Carte	20	5085	66	5139.xxx	55	5225.xxx	79
4623.xxx.bin	235	5024.xxx Pre-Configured	20	5086.009	64	5141.xxx A La Carte	39	5226.xxx	79
4624.xxx.bin	235	5025.xxx A La Carte	21	5087.xxx A La Carte	25	5141.xxx Pre-Configured	39	5228.xxx.ENTR	79
4625.xxx.bin	235	5025.xxx Pre-Configured	21	5087.xxx Pre-Configured	25	5142.xxx	57	5229.xxx.ENTR	79
4704.xxx.bin	236	5028.xxx	56	5088.xxx A La Carte	26	5145.xxx	55	5230.xxx	79
4706.xxx.bin	236	5030.xxx A La Carte	21	5088.xxx Pre-Configured	26	5146.xxx	55	5231.xxx	79
4860.xxx	207	5030.xxx Pre-Configured	21	5090.020.A	68	5147.xxx	57	5233.xxx.ENTR	79
4861.xxx	208	5032.xxx	55	5091.004	151	5148.xxx	54	5234.xxx.ENTR	79
4862.xxx	208	5035.xxx	56	5091.004.A	151	5149.xxx	54	5237.xxx Knob	79
4863.xxx	208	5038.xxx	56	5092.004	151	5151.xxx	55	5237.xxx Lever	79
4902.xxx.bin	239	5041.xxx A La Carte	22	5092.004.A	151	5152.xxx A La Carte	40	5238.xxx Knob	79
4910.xxx.bin	236	5041.xxx Pre-Configured	22	5097.009.N	68	5152.xxx Pre-Configured	40	5238.xxx Lever	81
4913.xxx.bin	236	5042.xxx	57	5098.004.A	68	5155.xxx	56	5239.xxx.ENTR	79
4926.xxx.bin	239	5046.xxx	55	5098.004.N	68	5156.xxx	56	5239.xxx.RENT(L,LENT)	81
4927.xxx.bin	239	5047.xxx	57	5098.009.N	68	5157.xxx	56	5241.xxx.ENTR	79
4940.xxx.bin	239	5048.xxx	54	5099.004	151	5158.xxx	57	5241.xxx.RENT(L,LENT)	81
4941.xxx.bin	239	5054.xxx A La Carte	22	5101.xxx A La Carte	32	5160.xxx	57	5245.xxx	82
4946.xxx.bin	238	5055.xxx A La Carte	23	5103.xxx A La Carte	32	5161.xxx A La Carte	40	5246.xxx	82
4947.xxx.bin	234	5055.xxx Pre-Configured	23	5103.xxx Pre-Configured	32	5161.xxx Pre-Configured	40	5248.xxx.RENT(L,LENT)	82
4955.xxx	233	5056.xxx	57	5104.xxx A La Carte	33	5162.xxx A La Carte	41	5249.xxx.RENT(L,LENT)	82
4956.xxx	233	5057.xxx A La Carte	24	5104.xxx Pre-Configured	33	5162.xxx Pre-Configured	41	5250.xxx	80
4957.xxx	230	5057.xxx Pre-Configured	24	5105.xxx A La Carte	33	5164.xxx A La Carte	41	5251.xxx	80
4958.xxx	230	5058.xxx	57	5105.xxx Pre-Configured	33	5164.xxx Pre-Configured	41	5253.xxx.ENTR	80
4960.xxx.bin	236	5064.xxx A La Carte	24	5106.xxx A La Carte	34	5165.xxx A La Carte	42	5254.xxx.ENTR	80
4961.xxx.bin	236	5064.xxx Pre-Configured	24	5106.xxx Pre-Configured	34	5165.xxx Pre-Configured	42	5255.xxx	82
4964.xxx.bin	238	5066.xxx A La Carte	25	5108.xxx A La Carte	34	5166.xxx A La Carte	42	5256.xxx	82
4970.xxx.bin	230	5066.xxx Pre-Configured	25	5108.xxx Pre-Configured	34	5166.xxx Pre-Configured	42	5258.xxx.RENT(L,LENT)	82
4971.xxx.bin	230	5068.xxx A La Carte	26	5112.xxx A La Carte	35	5167.xxx A La Carte	43	5259.xxx.RENT(L,LENT)	82
4972.xxx.bin	233	5068.xxx Pre-Configured	26	5112.xxx Pre-Configured	35	5173.xxx A La Carte	43	5260.xxx	80
4973.xxx.bin	233	5069.xxx A La Carte	27	5113.xxx A La Carte	35	5173.xxx Pre-Configured	43	5261.xxx	80
4976.xxx.bin	230	5069.xxx Pre-Configured	27	5113.xxx Pre-Configured	35	5174.022	73	5263.xxx	80
5000.xxx A La Carte	17	5070.xxx	55	5116.xxx A La Carte	36	5187.xxx	76	5264.xxx	80
5000.xxx Pre-Configured	17	5073.xxx A La Carte	27	5116.xxx Pre-Configured	36	5190.xxx A La Carte	44	5285.xxx	81
5002.xxx	54	5073.xxx Pre-Configured	27	5118.xxx A La Carte	36	5190.xxx Pre-Configured	44	5286.xxx	81
5004.xxx	54	5075.xxx	56	5118.xxx Pre-Configured	36	5194.xxx.A	63	5288.xxx.RENT(L,LENT)	81
5006.xxx	55	5076.xxx	56	5121.xxx A La Carte	37	5197.xxx	63	5289.xxx.RENT(L,LENT)	81
5010.xxx	55	5077.004	151	5121.xxx Pre-Configured	37	5199.000	66	5300.xxx.9	113
5011.xxx A La Carte	18	5077.xxx A La Carte	28	5122.xxx A La Carte	37	5205.xxx	78	5300.xxx.EFLS	67
5011.xxx Pre-Configured	18	5077.xxx Pre-Configured	28	5122.xxx Pre-Configured	37	5206.xxx	78	5326.000	75
5013.xxx A La Carte	18	5078.xxx	56	5123.xxx	55	5208.xxx.ENTR	78	5397.xxx.15E	151
5013.xxx Pre-Configured	18	5079.xxx A La Carte	23	5125.xxx A La Carte	38	5209.xxx.ENTR	78	5397.xxx.15F	151
5015.xxx A La Carte	19	5079.xxx Pre-Configured	23	5125.xxx Pre-Configured	38	5210.xxx	78	5399.xxx.A	113
5015.xxx Pre-Configured	19	5080.xxx A La Carte	28	5127.xxx	56	5211.xxx	78	5399.xxx.B	113
5017.xxx	54	5080.xxx Pre-Configured	28	5129.xxx	56	5213.xxx.ENTR	78	5399.xxx.C	113
5020.xxx A La Carte	19	5081.xxx.A	74	5134.xxx	56	5214.xxx.ENTR	78	5399.xxx.D	113
5020.xxx Pre-Configured	19	5082.xxx.A	74	5137.xxx A La Carte	38	5215.xxx	78	5399.xxx.G	113
		5083.xxx A La Carte	17						

5399.xxx.H	113
5399.xxx.K	113
5399.xxx.M	113
5399.xxx.N	113
5445V.xxx A La Carte	44
5445V.xxx Pre-Configured	44
5447V.xxx A La Carte	45
5447V.xxx Pre-Configured	45
5452V.xxx A La Carte	45
5452V.xxx Pre-Configured	45
5455V.xxx A La Carte	46
5455V.xxx Pre-Configured	46
5485V.xxx A La Carte	46
5485V.xxx Pre-Configured	46
5510.xxx(ASA, .FLS)	65
5510.xxx.0030	66
5510.xxx.ASTR	67
5510.xxx.E158	67
5510.xxx.E178	67
5510.xxx.E214	67
5510.000.FSTR	68
5510.xxx.FSTR	67
5510.xxx.P(ASA, .FLS)	65
5510.000.TSTR	68
5510.xxx.TSTR	67
5513.xxx(ASA, .FLS)	65
5513.xxx.0030	66
5513.xxx.LTCH(.PLTCH)	67
5513.xxx.P(ASA, .FLS)	65
5520.xxx(ASA, .FLS)	65
5520.xxx.LTCH(.PLTCH)	67
5520.xxx.P(ASA, .FLS)	65
5523.xxx(ASA, .FLS)	65
5523.xxx.LTCH(.PLTCH)	67
5523.xxx.P(ASA, .FLS)	65
5528.xxx.R(L)	68
5540.xxx	64
5540.xxx.P	64
5550.xxx.F118	67
5600.xxx.R(L,RR,LR)	199
5600.xxx.RFD(.LFD)	199
5601.xxx	200
5602.xxx.R(L,RR,LR)	199
5602.xxx.RFD(.LFD)	199
5603.xxx	200
5604.xxx.R(L,RR,LR)	199
5604.xxx.RFD(.LFD)	199
5606.xxx	200

5608.xxx.RSKC(LSKC)	200
5626.xxx.RSKC(LSKC)	200
5628.xxx	200
5629.xxx.RSKC(LSKC)	200
5633.xxx	200
5634.xxx.R(L,RR,LR)	199
5641.xxx	200
5642.xxx	200
5643.xxx	200
5671.xxx	200
5672.xxx	200
5673.xxx	200
5674.xxx.RSKC(LSKC)	200
5753.xxx	201
5754.xxx	201
5755.xxx	201
5758.xxx	201
6001.xxx.Suffix	154
6010.xxx.0004	163
6010.xxx.Suffix	159
6020.xxx.Suffix	154
6021.xxx.Suffix	154
6025.xxx.Suffix	154
6037.xxx.XXXX	162
6038.xxx.XXXX	162
6039.xxx.XXXX	162
6040.xxx	162
6040.xxx.R(L)	162
6041.xxx	162
6041.xxx.R(L)	162
6042.xxx	163
6043.xxx	162
6043.xxx.R(L)	162
6051.xxx.Suffix	161
6053.xxx.Suffix	161
6055.xxx.Suffix	159
6060.xxx.0004	163
6060.xxx.Suffix	159
6065.xxx.0004	163
6065.xxx.Suffix	159
6066.xxx.Suffix	154
6070.xxx.Suffix	159
6075.xxx.Suffix	154
6080.xxx.0004	163
6091.xxx.0004	163
6100.xxx.Suffix	159
6110.xxx.0004	163
6110.xxx.Suffix	159
6130.xxx.Suffix	159
6150.xxx	160

6150.xxx.0004	160
6150.xxx.0084	163
6160.xxx	160
6301.xxx.0004	163
6301.xxx.0084	154
6301.xxx.Suffix	154
6310.xxx.0004	163
6310.xxx.0084	163
6310.xxx.Suffix	154
6315.xxx.Suffix	159
6318.xxx.0004	163
6318.xxx.0084	163
6318.xxx.Suffix	159
6320.xxx.Suffix	154
6321.xxx.Suffix	154
6325.xxx.Suffix	154
6338.xxx.XXXX	162
6339.xxx.XXXX	162
6340.xxx	162
6340.xxx.R(L)	162
6341.xxx	162
6341.xxx.R(L)	162
6375.xxx.Suffix	154
6402.xxx	102
6403.xxx	103
6501.000.A	150
6501.000.B	150
6501.000.C	150
6501.000.D	150
6501.000.E	150
6501.000.F	150
6501.009	64
6501.xxx.15A	151
6501.xxx.15B	151
6501.xxx.15C	151
6501.xxx.15D	151
6501.xxx.15E	151
6501.xxx.15G	151
6501.xxx.15H	151
6501.xxx.15I	151
6501.xxx.15J	151
6501.xxx.15L	151
6501.xxx.15M	151
6501.xxx.15N	151
6501.xxx.15O	151
6502.xxx	137
6503.009	64
6504.009	64
6506.xxx	135
6507.009	64

6511.009	64
6513.xxx	139
6514.xxx	139
6530.xxx	144
6535.xxx	134
6542.xxx	147
6544.xxx	132
6547.xxx	141
6552.xxx	119
6553.xxx	137
6554.xxx	120
6560.xxx	138
6571.xxx	128
6573.xxx	146
6599.xxx.THKA	150
6599.xxx.THKB	150
6599.xxx.THKC	150
6599.xxx.THKD	150
6599.xxx.THKE	150
6599.xxx.THKF	150
6599.xxx.THKG	150
6599.xxx.THKH	150
6599.xxx.THKI	150
6599.xxx.THKJ	150
6599.xxx.THKK	150
6599.xxx.THKL	150
6604.xxx	128
6605.xxx	147
6616.xxx	142
6620.xxx	139
6621.xxx	138
6622.xxx	132
6624.xxx	136
6627.xxx	125
6628.xxx	146
6641.xxx	143
6652.xxx	129
6701.xxx	73
6703.xxx	73
6707.009	173
6714.xxx	143
6715.xxx	142
6720.xxx	72
6721.xxx	72
6725.xxx	72
6729.xxx	72
6732.xxx	71
6733.xxx	71
6735.xxx	72
6737.xxx	168

6738.xxx	168
6739.xxx	168
6743.xxx	168
6748.xxx.A	74
6749.xxx.A	74
6750.xxx	71
6751.xxx	71
6754.xxx	168
6755.xxx	168
6756.xxx	71
6757.xxx	168
6760.xxx	71
6761.xxx	168
6762.xxx	71
6766.xxx	71
6767.xxx	119
6768.xxx	168
6770.xxx	71
6771.xxx	71
6789.xxx	129
6790.xxx	136
6791.xxx	132
6793.xxx	141
6794.xxx	128
6795.xxx	138
6796.xxx	147
6798.xxx	146
6800.xxx.0004	163
6800.xxx.0084	163
6800.xxx.Suffix	154
6802.xxx.Suffix	154
6810.xxx.0004	163
6810.xxx.0084	163
6810.xxx.Suffix	154
6812.xxx.Suffix	154
6832.xxx.Suffix	154
6845.xxx.Suffix	159
6847.xxx.Suffix	159
6850.xxx	160
6855.xxx.0004	163
6855.xxx.0084	163
6855.xxx.Suffix	159
6857.xxx.Suffix	159
6860.xxx	160
6897.xxx	163
6915.xxx	144
6921.xxx	142
6942.xxx	122
6944.xxx	143
6945.xxx	134

6946.xxx	133	8106.xxx.CVR	203	8320.009.103	173	8443.xxx	167	90670.xxx.CD	208
6950.xxx	136	8106.xxx.E24	203	8320.009.202	173	8444.xxx	167	90671.xxx.CD	208
6952.xxx	129	8106.xxx.E48	203	8320.009.203	173	8471.000	173	90672.xxx.CD	208
6963.xxx	125	8107.xxx.CVR	203	8320.009.204	173	8472.000	173	90673.xxx.CD	208
6966.xxx	137	8107.xxx.E24	203	8320.009.205	173	8472.000.001	173	90674.xxx.CD	208
6971.xxx	130	8107.xxx.E48	203	8320.009.206	173	8472.000.004	173	90675.xxx.CD	208
6972.xxx	131	8201.xxx.DB	90	8320.009.207	173	8472.000.006	173	90676.xxx.CD	208
6973.xxx	135	8208.xxx.DB	90	8320.009.208	173	8474.000	75	90677.xxx.CD	208
6976.xxx	139	8220.xxx	84	8320.009.209	173	8475.000.001	89	90678.xxx.CD	208
6977.xxx	140	8221.xxx	84	8320.152.300	173	8480.000	75	90679.xxx.CD	208
6986.xxx	122	8225.xxx	94	8320.152.301	173	8484.000	75	9940.000.A	173
6991.xxx	120	8225.xxx.ZW	94	8320.152.302	173	8490.xxx.RCS	224	G6010.xxx.Suffix	156
8000.849.STR3	89	8231.xxx	86	8320.152.303	173	8498.000	167	G6055.xxx.Suffix	156
8000.xxx.RSTR	89	8231.xxx.PAT	86	8320.152.304	173	8515.000	64,68	G6060.xxx.Suffix	156
8000.xxx.STR	89	8232.xxx	86	8320.152.305	173	8530.xxx.Suffix	158	G6065.xxx.Suffix	156
8011.028.0025	89	8235.xxx	93	8320.152.306	173	85310.xxx	104	G6075.xxx.Suffix	156
8011.039.0023	89	8235.xxx.ZW	93	8320.152.307	173	85311.xxx	105	G6085.xxx.Suffix	156
8011.039.0027	89	8237.xxx	86	8320.152.308	173	85315.xxx	107	G6090.xxx.Suffix	156
8011.109.0022	89	8237.xxx.0510	89	8320.152.309	173	85316.xxx	103	G6110.xxx.Suffix	156
8011.xxx	85	8238.xxx	86	8321.xxx	165	85317.xxx	104	G6130.xxx.Suffix	156
8011.xxx.0020	89	8241.xxx	85	8321.xxx.DBL	166	85320.xxx	107	G6310.xxx.Suffix	156
8011.xxx.KD12	89	8241.xxx.PAT	85	8322.xxx	165	85327.xxx	100	G6318.xxx.Suffix	156
8021.xxx	85	8242.xxx	85	8322.xxx.DBL	166	85337.xxx	100	G6355.xxx.Suffix	156
8030.xxx.0003	89	8244.xxx	84	8323.xxx	165	85342.xxx	112	G6360.xxx.Suffix	156
8030.xxx.0005	89	8244.xxx.PAT	84	8323.xxx.DBL	166	85345.xxx	106	G6365.xxx.Suffix	156
8030.xxx.0510	89	8252.xxx	86	8324.xxx	165	8535.xxx.Suffix	158	G6375.xxx.Suffix	156
8031.xxx	85	8252.xxx.AC1	96	8324.xxx.DBL	166	85350.xxx	108	G6377.xxx.Suffix	156
8031.xxx.KD12	89	8253.xxx	86	8325.xxx	165	85352.xxx	102	G6385.xxx.Suffix	156
8031.xxx.KD22	89	8254.xxx	87	8325.xxx.DBL	166	85353.xxx.ACRH(ACLH)	93	G6390.xxx.Suffix	156
8040.xxx.0004	89	8255.xxx	87	8326.xxx	165	85355.xxx	112	K007.xxx A La Carte	29
8040.xxx.0006	89	8260.xxx	87	8326.xxx.DBL	166	85358.xxx	93	K007.xxx Pre-Configured	29
8040.xxx.0510	89	8261.xxx	87	8327.xxx	165	85360.xxx	101	K008.xxx A La Carte	29
8041.xxx	85	8285.xxx	87	8327.xxx.DBL	166	85385.xxx	111	K008.xxx Pre-Configured	29
8053.028.TP1	89	8285.xxx.AC1	96	8328.xxx	165	85386.xxx	110	K009.xxx A La Carte	30
8053.028.TP2	89	8286.xxx	87	8328.xxx.DBL	166	85390.xxx.ACLH	94	K009.xxx Pre-Configured	30
8053.028.TP3	89	8297.xxx	90	8329.xxx	165	85390.xxx.ACRH	94	K012.xxx A La Carte	30
8053.028.TP4	89	8300.009.0066	173	8329.xxx.DBL	166	85392.xxx	109	K012.xxx Pre-Configured	30
8053.xxx.TP525	89	8300.109.005	173	8330.xxx	165	85393.xxx	94	K013.xxx A La Carte	31
8080.xxx	90	8300.509.004	173	8330.xxx.DBL	166	85397.xxx	110	L015.xxx A La Carte	47
8090.xxx	90	8300.509.AR	167	8333.009.010	173	85398.xxx	108	L015.xxx Pre-Configured	47
8097.xxx	90	8300.509.EMHT	167	8333.xxx	170	85399.xxx	108	L021.xxx A La Carte	47
8098.xxx.DC03	90	8300.509.STD	167	8333.xxx.H	170	85391.xxx	109	L021.xxx Pre-Configured	47
8098.xxx.TP03	90	8300.xxx	168	8440.xxx.001	166	85392.xxx	109	L022.xxx A La Carte	48
8105.xxx.7TOP	203	8313.329.TPH1	170	8440.xxx.002	166	85397.xxx	110	L022.xxx Pre-Configured	48
8105.xxx.8TOP	203	8313.329.TPH2	170	8440.xxx.003	166	8540.xxx.Suffix	158	L023.xxx A La Carte	48
8105.xxx.GD	203	8313.509.008	173	8440.xxx.004	166	8545.xxx.Suffix	158	L023.xxx Pre-Configured	48
8105.xxx.R510/L510	203	8313.509.009	173	8440.xxx.005	166	8550.xxx	160	L024.xxx A La Carte	49
8105.xxx.R7LK(L7LK)	203	8314.xxx	168	8440.xxx.006	166	8555.xxx	160	L024.xxx Pre-Configured	49
8105.xxx.R8LK(L8LK)	203	8320.009.101	173	8441.xxx	167	8560.xxx	160	L029.xxx A La Carte	49
8105.xxx.REPL	203	8320.009.102	173	8442.xxx	167			L029.xxx Pre-Configured	49

L030.xxx A La Carte	50
L031.xxx A La Carte	51
L031.xxx Pre-Configured	51
L033.xxx A La Carte	51
L033.xxx Pre-Configured	51
L034.xxx A La Carte	52
L034.xxx Pre-Configured	52
M502.xxx	126
M504.xxx	127
M512.xxx	123
M514.xxx.DBLC	124
M516.xxx	145
M522.xxx	121
MP000.000.AINS	186
MP000.000.AINT	186
MP000.000.FDPTP	186
MP000.000.FDPTQ	186
MP000.xxx.ACTA	190
MP000.xxx.ACTB	190
MP000.xxx.ACTC	190
MP000.xxx.ACTD	186
MP000.xxx.ACTE	186
MP000.xxx.ACTF	186
MP000.xxx.ACTG	186
MP000.XXX.ACTI	186
MP000.XXX.ACTR	188
MP000.xxx.PATJ	186
MP000.xxx.PATK	186
MP000.xxx.PATL	186
MP000.xxx.PATM	186
MP000.xxx.PATO	186
PD005	175
PD006	176
PD007	177
PD016	178
R007.xxx	58
R008.xxx	58
R011.xxx	58
R012.xxx	58
R016.xxx	58
R017.xxx	59,62
R026.xxx	59
R027.xxx	59
R029.xxx	59
R030.xxx	60
R032.xxx	60
R033.xxx	61
R035.xxx	61
R046.xxx	61
R048.xxx	62

R049.xxx	63
R050.xxx	63
R051.xxx	63
R052.xxx	62
R053.xxx	63
R054.xxx	59
R055.xxx	60
R056.xxx	61
R057.xxx	54
R058.xxx	55
R059.xxx	58
TK006.xxx	72
TK007.xxx	72
TK009.xxx	72
TK010.xxx	72
U5510.xxx	65
U5530.xxx	65
U8201.xxx.DB	89
U8202.xxx.DB	89
U8208.xxx.DB	89
U8209.xxx.DB	89
xxxx.xxx.MTG1	215
xxxx.xxx.MTG2	215
xxxx.xxx.MTG3	215
xxxx.xxx.MTG5	215
xxxx.xxx.MTG8	215

ALPHABETICAL INDEX	PAGE
American Cylinder – See Multi-Point	
Armored Fronts	163
Back Plates	239
Cabinet Knob	236
Bell Buttons	
Arch	208
Contemporary	208
Oval	208
Rectangular	207
Blocking Rings	166
Communicating Door Kit	76
Cremone Bolt	203
Cylinders	165
Key Blanks	171
Lock Trim Thickness Index	164
Mortise Cylinders (Single & Double)	165-166
Rim Lock Cylinders	170
Cylinders - Accessories	
5-pin Cylinder Spring Covers	173
6-pin Cylinder Spring Covers	173
Adams Rite Cam	167
Cylinder Springs	173
Emhart Cam	167
Mortise Lock Turn Piece Cylinders	167
Residential Trim Marking Template Doors	167
Rim Cylinder Tailpieces	170
Standard Cam	167
Cylinders – C-Keyway Table	165-166
Cylinders – Cylinder Trim/Collars	168
Beaded Cylinder Collar	168
Blocking Rings	166
Colonial Cylinder Collar	168
Compression Cylinder Collar	168
Contemporary Round Collar	168
Contemporary Square Collar	168
Cylinder Lock Cover Plate	168
Dummy Cylinder	168
Lakeshore Cylinder Collar	168
Oval Cylinder Collar	168
Square Cylinder Collar	168
Wrought Cylinder Collar	168
Deadbolts	
Arched	86
Bethpage	86
Contemporary	85
Hollywood Hills	87
Soho	87
Squared	87
Traditional	85
Deadbolts - Accessories	89

Deadbolts - Conversion Kits	90
Deadbolts - Components	
Bethpage Turn Piece	89
Contemporary Inside Cylinder Collar	89
Contemporary Outside Cylinder Collar	89
Contemporary Turn Piece Assembly	89
Cyl. And Tail Piece–Egress Handlesets	89
Cylinder Cap Tool	89
Cylinder Tail Piece	89
Cyl. Threaded Sleeve–Mounting Dbl Cyl.	89
Deadbolt	90
Double Cylinder For Handlesets & Deadbolts	89
Pan Head Thru–Bolt	89
Traditional Inside Cylinder Collar	89
Traditional Outside Cylinder Collar	89
Traditional Turn Piece Assembly	89
Tumbler Springs	89
Turn Piece Tail Piece, Older Style Handleset	89
Deadbolts - Strikes	
Dust Box	89
Radius Corner Deadbolt Strike	89
Standard Security Deadbolt Strike	89
Deadbolts - Thick Door Kits	
For New Mechanics	90
For Original Mechanics	90
Deadbolts - Trim Rings & Collars	
Cylinder Collar Spacers	90
Double Cylinder Conv. Kit	90
Single Cylinder Conv. Kit	90
Trim Rings	90
Door Guards	
Security	208
Door Stops	
Base Mounted Door Bumpers	220
Concave Wall Bumpers	220
Convex Wall Bumpers	220
Floor Bumper	219
Half Dome Door Bumper	219
Lever Door Holder	220
Universal Floor Bumper	219
Dust Boxes	
For Deadbolt Latch	89
For Interior Tubular Lock (for 5540/5510 Latch)	68
For Mortise Lock	163
Emergency Release Trim & Backplates	73
Edge Pulls	211
Entrance Trim (Mortise)	
Baltimore	119
Barclay	120
Bethpage ¾	121

Bismark	122
Boulder ¾	123
Boulder Full	124
Bristol	125
Cody ¾	126
Cody Full	127
Concord	139
Edinburgh	129
Gramercy	128
Gramercy Knurled	129
Hamilton	132
Hollywood Hills	133
Hollywood Hills Knob	134
Houston	135
Kensington	136
Lakeshore	137
Lexington	138
Minneapolis	139
Minneapolis 20"	140
Nashville	141
Palm Springs Full	142
Pasadena	143
Santa Monica	144
Soho	145
Springfield	146
Tremont	147
Entrance Trim (Tubular)	
Bethpage Sectional	100
Bethpage	100
Blakely	101
Boulder	102
Boulder ¾	101
Cody	103
Cody ¾	102
Gramercy	103
Gramercy Knurled	104
Hollywood Hills (Sectional)	104
Hollywood Hills (Full)	105
Landon	106
Logan	107
Madison	107
Manchester	108
Minneapolis (Sectional)	108
Minneapolis ¾	109
Minneapolis (Full)	109
Palm Springs Full	110
Soho	110
Soho ¾	111
Soho Two-Point	111
Stonegate	112

Tremont	112
Flush Bolts & Strikes	
Dustproof Strike	214
Flush Bolts	213
Rabbeted Guide	214
Rabbeted Strike	214
Flush Rings	210
Hinges	
Ball Bearing	225
Radius Corner	224
Replacement Screws & Pins	222
Square Corner	223
How to Order & Installation	
Essentials	4
Dummy	6
Passage	7
Privacy	8
House Numbers	208
Installation Tools	
Aligning Bushing	75
Aligning Tool & Bushing	75
Allen Wrench	75
Spanner Tool	75
Keying - Kits & Components	
Bottom Pins	173
Top Pins	173
Master Pins	173
Adams Rite Cams	173
Cam mounting screws	173
Cap	173
Cap tool	173
Cylinder plug follower	173
Finish demonstrator	173
Hotel pin	173
Key gauge	173
Large keying kit for all (C)keying	173
Mounting plate	173
Mounting screws	173
Small keying kit	173
Spacer	173
Spring covers	173
Springs	173
Standard cams	173
Stile-right template	173
Tailpiece	173
Tumbler springs	173
Tweezers	173
Washer	173
Keypad Entry - Electronics	

Soho Deadbolt	96
Soho Sectional Handleset Kit	96
Boulder Deadbolt	96
Boulder Sectional Handleset Kit	96
Kickplates	214
Knobs - Cabinet	236
Knobs - Interior A La Carte	
5000 Baltimore (2")	17
5011	18
5013 Edinburgh	18
5015 Classic	19
5020 Colonial	19
5023	20
5024	20
5025 Egg	21
5030	21
5041	22
5054 Minneapolis Knurled (2 1/8")	22
5055 Minneapolis (2 1/8")	23
5057	24
5064	24
5066	25
5068 Nashville (2 3/8")	26
5069	27
5073	27
5077 Bethpage	28
5079 Minneapolis (2 3/8")	23
5080 Filmore	28
5083 Baltimore (2 1/2")	17
5087 Nashville (2")	25
5088 Nashville (2 5/8")	26
K007	29
K008	29
K009	30
K012	30
K013	31
Knobs - Interior Tubular Pre-Configured Sets	
5000 Baltimore (2")	17
5011	18
5013 Edinburgh	18
5015 Classic	19
5020 Colonial	19
5023	20
5024	20
5025 Egg	21
5030	21
5041	22
5055 Minneapolis (2 1/8")	23
5057	24

5064	24
5066	25
5068 Nashville (2 3/8")	26
5069	27
5073	27
5077	28
5079 Minneapolis (2 3/8")	23
5080 Filmore	28
5083 Baltimore (2 1/2")	17
5087 Nashville (2")	25
5088 Nashville (2 5/8")	26
K007	29
K008	29
K009	30
K012	30
Knobs - Tubular Keyed Entry	
Bethpage (5237/5238/5239/5241)	79
Classic (5205/5206/5208/5209)	78
Colonial (5210/5211/5213/5214)	78
Egg (5225/5226/5228/5229)	79
Minneapolis w/ Round Rose (5230/5231/5233/5234)	79
Minneapolis w/ Square Rose (5250/5251/5253/5254)	80
Modern (5215/5216/5218/5219)	78
Knockers	
"S"	206
Colonial	206
Colonial w/ Observascope	206
Contemporary	207
Imperial	206
Modern	207
Observ-O-Scope (doors <2.25" thick)	207
Observ-O-Scope (doors 2.25-3.25" thick)	207
Ring	206
Latches - Tubular	
Passage - Knob & Lever Strength	64
Privacy - Knob & Lever Strength	64
Levers - Interior A La Carte	
5101	32
5103	32
5104	33
5105	33
5106	34
5108	34
5112	35
5113	35
5116	36
5118	36
5121	37
5122 Edinburgh	37

5125	38
5137	38
5138	39
5141	39
5152	40
5161	40
5162	41
5164 Houston	41
5165	42
5166	42
5167	43
5173	43
5190	44
5445V Classic	44
5447V Bethpage	45
5452V	45
5455V Wave	46
5485V Soho	46
L015	47
L021	47
L022	48
L023	48
L024	49
L029 Gramercy	49
L031 Gramercy Curved	51
L033 Briarcrest	51
L034 Nashville	52
Levers - Tubular Keyed Entry	
Bethpage (5237/5238/5239/5241)	81
Classic (5245/5246/5248/5249)	82
Minneapolis w/ Round Rose (5260/5261/5263/5264)	80
Minneapolis w/ Square Rose (5285/5286/5288/5289)	81
Wave (5255/5256/5258/5259)	82
Misc - Replacement Parts	172
Mortise - Deadlocks	160
Mortise Locks	
Electrical	161
Entrance Function	154
Grade 1	156
Interior, Heavy Duty	159
Interior, Small Case	158
Mortise Locks - Accessories	
Armored Fronts	163
Strikes	162
Multi-Point	
Configuration 1 (Profile Cylinder Below Handle - 8 1/2" CTC)	185
Configuration 2 (American Cylinder Above Handle - 8 1/2" CTC)	187
Configuration 3 (American Cyl Below Handle - 8 3/8" CTC)	189
Configuration 4 (Profile Cylinder Below Handle - 7 7/8" CTC)	191
Configuration 5 (American Cyl Above/Below Handle - 7 9/16" CTC)	193
Configuration 6 (American Cylinder Above Handle - 7 1/4" CTC)	195
Pre-Drilled Door Accessories	
1 1/2" Pre-Drilled Door Adaptor	64
2 1/8" Pre-Drilled Door Adaptor	64
Dummy Insert & Filler Plate	68
Closet Spindles	74

5173	43
5190	44
5445V Classic	44
5447V Bethpage	45
5452V	45
5455V Wave	46
5485V Soho	46
L015	47
L021	47
L022	48
L023	48
L024	49
L029 Gramercy	49
L031 Gramercy Curved	51
L033 Briarcrest	51
L034 Nashville	52
Levers - Tubular Keyed Entry	
Bethpage (5237/5238/5239/5241)	81
Classic (5245/5246/5248/5249)	82
Minneapolis w/ Round Rose (5260/5261/5263/5264)	80
Minneapolis w/ Square Rose (5285/5286/5288/5289)	81
Wave (5255/5256/5258/5259)	82
Misc - Replacement Parts	172
Mortise - Deadlocks	160
Mortise Locks	
Electrical	161
Entrance Function	154
Grade 1	156
Interior, Heavy Duty	159
Interior, Small Case	158
Mortise Locks - Accessories	
Armored Fronts	163
Strikes	162
Multi-Point	
Configuration 1 (Profile Cylinder Below Handle - 8 1/2" CTC)	185
Configuration 2 (American Cylinder Above Handle - 8 1/2" CTC)	187
Configuration 3 (American Cyl Below Handle - 8 3/8" CTC)	189
Configuration 4 (Profile Cylinder Below Handle - 7 7/8" CTC)	191
Configuration 5 (American Cyl Above/Below Handle - 7 9/16" CTC)	193
Configuration 6 (American Cylinder Above Handle - 7 1/4" CTC)	195
Pre-Drilled Door Accessories	
1 1/2" Pre-Drilled Door Adaptor	64
2 1/8" Pre-Drilled Door Adaptor	64
Dummy Insert & Filler Plate	68
Closet Spindles	74

Privacy	
Button - Knob Strength	66
Button Extender	66
Pull Plates	215
Pulls	
Bristol	217
Concord	217
Edinburgh	217
Kensington	218
Gramercy	218
Hollywood Hills	218
Pasadena	218
Springfield	218
Traditional	216
Pulls - Appliance	227
Pulls - Cabinet	227
Push Plates	
Bristol	215
Nashville	215
Square Edge	214
Rim Locks	
Accessories	201
Entrance, Special Function	199
Passage, Privacy, Entrance	199
Rim Cylinders	170
Standards & Specifications	198
Trim	200
Roller & Ball Catches	
Adjustable Ball Catch	211
Adjustable Roller Catch	211
Roller Latch	212
Rosettes	
5002	54
5004	54
5006	55
5010	55
5017	54
5021	55
5028	56
5032	55
5035	56
5038	56
5042	57
5046	55
5047	57
5048	54
5056	57
5058	57
5070	55
5075	56

5076	56
5078	56
5123	55
5127	56
5129	56
5134	56
5139	55
5142	57
5145	55
5146	55
5147	57
5148	54
5149	54
5151	55
5155	56
5156	56
5157	56
5158	57
5160	57
R007	58
R008	58
R011	58
R012	58
R016	58
R017	59,62
R026	59
R027	59
R029	59
R030	60
R032	60
R033	61
R035	61
R046	61
R048	62
R049	63
R050	63
R051	63
R052	62
R053	63
R054	59
R055	60
R056	61
R057	54
R058	55
R059	58
Sash Locks & Pulls	
Flush Pull	212
Sash Lift	212
Sash Lock	212
Sliding Door Locks (Pocket Door)	175

Spare Parts	
Rose Retainers	63
Screw Bases	74
Screw Covers	74
Set Screw	66
Spindles	
Closet Spindles	74
Dummy Spindles	68
Broached Straight Spindles	69
Broached Swivel Spindles	69
Broached Half Spindles	69
Transitional Straight Spindles	69
Transitional Swivel Spindles	69
Transitional Half Spindles	69
Strikes	
Angle - Surface Bolt	209
ASA Extended Lip - Mortise	162
ASA Straight & Curved Lip - Mortise	162
ASA Strike - Tubular	67
Combination Privacy Strike - Tubular	68
Deadlock - Mortise	163
Extended Full Lip Strike - Tubular	67
Full Lip Strike - Tubular	67
Heavy Duty Angle - Surface Bolt	209
Mortise - Surface Bolt	209
Rabbeted Door - Mortise	163
Surface - Surface Bolt	209
Universal - Surface Bolt	209
Surface Bolts	209
Thin & Thick Door Kits	
Thick Door Mortise Kits	150
Thin Steel Door Mortise Kits	151
Thin Steel Door Tubular Kits	151
Tools & Accessories	173
Touchscreen	
Touchscreen Deadbolts	93
Touchscreen Handlesets	93
Tubular Entrance Sets - See Entrance Trim (Tubular)	
Tubular Deadbolts - See Deadbolts	
Tubular Keyed Entry Levers - See Levers - Tubular Keyed Entry	
Tubular Keyed Entry Levers - See Levers - Tubular Keyed Entry	
Tubular Keyed Entry Knobs - See Knobs - Tubular Keyed Entry	
Turn Knobs	72
Turn Pieces	71
UL Kits - Passage & Privacy Tubular	65

CONDITIONS OF SALE

TERMS: 2%/25 Days, Net/30

SHIPMENTS: U.S. customers - F.O.B. Edgerton, KS or Nogales, AZ. Full freight allowed on purchase orders sent through routing of our selection. Delivery is made to curb or dock side only. Freight allowed shipments to Alaska will be prepaid to Seattle, to Hawaii will be prepaid to San Francisco, and to Puerto Rico will be prepaid to Miami. Upon delivery to the transportation company, shipments become the property of the purchasers, who assume full risk for loss or damage in transit.

International Customers - Orders will ship FCA to city specified on the commercial invoice. Exceptions will be subject to the INCO terms stated on the commercial invoice. Canadian customers should contact their sales reps for variations to these terms.

CLAIMS: All claims, whether referring to errors in prices, or in filling orders or for defective goods, must be submitted IN WRITING within 30 days after receipt of shipment. Tracing of all lost shipments must be submitted IN WRITING within 30 days or the liability and risk is placed on the purchasers. All issued documents by a carrier confirming receipt of a shipment must be honored by the purchasers.

RETURNED GOODS: Returned goods will not be accepted unless authorized in writing by Baldwin within 120 days of invoice date. A minimum 25% handling charge and freight will be charged on all stock items returned in original condition. Special and custom products are not returnable for credit. An 80% handling charge will be imposed on products damaged. No credit will be given for items returned without written authorization, nor will the items be returned to the customer. Authorized returns become void after a period of 30 days from issue date of the Returned Goods Authorization. All credit returns must be shipped to us, FREIGHT PREPAID.

ORDERS: Orders of less than \$250.00 net need to be entered via Baldwin Express. Most orders for stock items will be shipped within four (4) weeks from receipt of order. To expedite customer orders, items unavailable from stock at time of shipment will be back-ordered unless otherwise noted by customer. Quantities of a particular item will be rounded to the next full box quantity without incurring any obligations for credit. We reserve the right to decline the whole or part of orders in which the price, finishes or quantity of goods is not satisfactory to us. We reserve the right to discontinue items or change specifications at any time without notice and without incurring any obligations. The corporation cannot be liable for extended delivery dates which may result in the cancellation of an order.

CANCELLATIONS: While Baldwin will attempt to comply with customer's written change orders and/or cancellations, we cannot guarantee that they can be accomplished before shipment. Appropriate handling charges on returns will be exercised if the order has been shipped before processing a change order request. All requests must be submitted in writing.

PRICES: The price list in effect on the date customer order is received will determine billing price. Orders requiring delivery in excess of three (3) months will be billed at prices in effect at time of shipment, unless quoted to the contrary in writing by our company.

Orders being held by Baldwin because of account credit status may be repriced to the price in effect the day the order is released by the Baldwin Credit Department.

SPECIFICATIONS: Packing, weights, measurements, and design are subject to change without notice.

SPECIAL FABRICATION: Items of Special Manufacture and Specialty Keying are not cancelable after a period of 72 hours from receipt of an order. A cancellation of this nature will result in a penalty charge equal to the total expenses incurred on the product. Delivery on orders of special fabrication cannot be guaranteed due to variables beyond our control. The corporation cannot be liable for extended deliveries on special orders and consequently, are not cancelable.

Limited Lifetime Mechanical Warranty: Baldwin warrants to the original residential purchaser that each Baldwin Estate product shall be free of mechanical defects under normal use from the date of purchase for as long as the Purchaser occupies the residential premises upon which the Product was originally installed. This Mechanical Limited Warranty applies only to Products purchased from Baldwin or a Baldwin authorized reseller, unless otherwise prohibited by law. Baldwin Products are legitimately sold only by authorized resellers who are required to follow Baldwin's policies, procedures, and quality control standards. Baldwin reserves the right to reject warranty claims from purchasers for Products purchased from unauthorized sellers, including unauthorized Internet sites.

Limited Electronic Warranty: Baldwin Estate electronic products come with a 1 year electronic warranty to the original residential user of the product against defects in material and workmanship as long as the original user occupies the residential premises upon which the product was originally installed. This warranty does not cover scratches, abrasions, deterioration due to the use of paints, solvents or other chemicals, abuse, misuse, or product used in commercial applications. This Electronic Limited Warranty applies only to Products purchased from Baldwin or a Baldwin authorized reseller, unless otherwise prohibited by law. Baldwin Products are legitimately sold only by authorized resellers who are required to follow Baldwin's policies, procedures, and quality control standards. Baldwin reserves the right to reject warranty claims from purchasers for Products purchased from unauthorized sellers, including unauthorized Internet sites.

Limited Lifetime Finish™ Warranty: The Baldwin Lifetime Finish uses advanced finishing technology (physical vapor deposition) to create a finish highly resistant to the effects of weather and normal wear and tear. The Limited Lifetime Finish Warranty on Lifetime Finish™ products covers the original purchaser for as long as you own your home.

Limited Finish Warranty: The finish on Baldwin products (excluding Lifetime Finish and living finish products) is protected by a durable topcoat designed to maintain the beauty and quality of the Baldwin product. The Baldwin Limited Finish Warranty covers the original purchaser for five years from date of purchase for interior use and one year for exterior use.

Living Finishes: Due to the nature of Baldwin living finish products, they will wear over time and may already have begun the process before reaching your home. No finish warranty is offered on living finish products, which are designed to age and improve over time. Living finishes include raw brass, oil rubbed bronze, stainless steel, and other non-lacquered or non-PVD finishes.

Baldwin Products are legitimately sold only by authorized resellers who are required to follow Baldwin's policies, procedures, and quality control standards. Baldwin reserves the right to reject finish warranty claims from purchasers for Products purchased from unauthorized sellers, including unauthorized Internet sites.

IMPORTANT! You must install Baldwin strikeplate or your warranty is void. For complete information on Baldwin Estate's Limited Warranty, please visit www.baldwinhardware.com

Except as expressly provided in this warranty to the contrary, (a) BALDWIN MAKES NO, AND DISCLAIMS ALL, WARRANTIES, REPRESENTATIONS AND GUARANTEES (WHETHER EXPRESS, IMPLIED OR STATUTORY), INCLUDING, BUT NOT LIMITED TO, ANY IMPLIED WARRANTY OF MERCHANTABILITY OR FITNESS FOR A PARTICULAR PURPOSE, AND (b) BALDWIN SHALL NOT BE OBLIGATED OR LIABLE FOR LABOR OR OTHER COSTS RELATED TO INSTALLATION, REPAIR OR REPLACEMENT OR FOR LOSS OF, OR DAMAGE TO, ANY MATERIAL WHICH IS NOT SOLD BY BALDWIN. IN NO EVENT SHALL THE DURATION OF ANY IMPLIED WARRANTY OF MERCHANTABILITY OR FITNESS FOR A PARTICULAR PURPOSE BE LONGER THAN the lifetime of the applicable product or for as long as the original purchaser owns the product. This warranty is the only express warranty provided by Baldwin. No employee, representative or agent nor any other person has authority to assume or incur on behalf of Baldwin any obligation or liability in place of or in addition to this warranty.

Each of Baldwin's direct customers shall receive any claims and take delivery of any allegedly defective Baldwin products from the consumers and shall communicate and otherwise cooperate in a reasonable manner with Baldwin concerning the administration, processing and remedying of such claims, including, but not limited to, delivering repaired or replacement Baldwin products or, in the appropriate case, purchase price refunds to consumers. Please Note: The limited warranty on all locks or latches is void if used in combination with knobs, levers or trim of other than those manufactured by Baldwin and designated for use with the applicable locks or latches.

STANDARDS OF EXCELLENCE: Baldwin Hardware Corporation has produced a range of products in accordance to the HIGHEST STANDARDS OF QUALITY AND EXCELLENCE. All brass products are manufactured from the finest quality brass obtainable; however, these products are susceptible to indentation and imperfections due to the malleability of the material and the elements of human intervention when crafting the product. Although our internal safeguards protect us against shipping products of unacceptable quality, an imperfection or surface blemish may be considered the highest Quality Standard obtainable on a particular product. Baldwin is committed to producing each item to the most stringent guidelines and quality of human ability and excellence; however, all final decisions of Quality remain exclusively in the authorization of the Corporation. While Baldwin makes every effort to provide an accurate price list, we are not responsible for errors and/or omissions which may appear. Customers will be invoiced the actual price on all orders.

0509 – 0517 Broached Straight Spindles – PASSAGE



Item #	Description	Size	Price
0509.004	Broached straight	3"	\$18
0510.004	Broached straight	3.5"	\$18
0517.004	Broached straight	3.75"	\$18
0511.004	Broached straight	4"	\$18
0512.004	Broached straight	4.5"	\$18
0513.004	Broached straight	5"	\$18
0514.004	Broached straight	5.5"	\$18
0515.004	Broached straight	6"	\$18
0516.004	Broached straight	7"	\$18

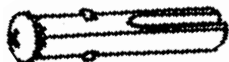
0519 – 0527 Broached Swivel Spindles – PRIVACY



Item #	Description	Size	Price
0519.004	Broached swivel	3"	\$25
0520.004	Broached swivel	3.5"	\$25
0527.004	Broached swivel	3.75"	\$25
0522.004	Broached swivel	4"	\$25
0521.004	Broached swivel	4.5"	\$25
0523.004	Broached swivel	5"	\$25
0524.004	Broached swivel	5.5"	\$25
0525.004	Broached swivel	6.5"	\$25

0530 – 0539 Broached Half Spindles – FRONT DOOR

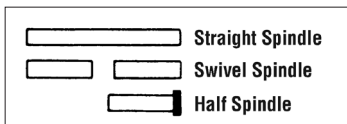
(thumbpiece to knob or lever)



Item #	Description	Size	Price
0533.004	Broached half	2.25"	\$18
0530.004	Broached half	2.375"	\$18
0539.004	Broached half	2.625"	\$18
0531.004	Broached half	2.875"	\$18
0532.004	Broached half	3.375"	\$18

- For mounting all current Estate knobs and levers to thumbpiece of handlesets
- Included with all 'set' orders

Spindle Chart & Key



Door Thickness	1.375"		1.75"		2"		2.25"		2.5"	
	Spindle	Half Spindle	Spindle	Half Spindle	Spindle	Half Spindle	Spindle	Half Spindle	Spindle	Half Spindle
A – .0625"	3.5"	2.25"	4"	2.25"	4"	2.25"	4.5"	2.25"	4.5"	2.375"
B – .0937"	3.5"	2.25"	4"	2.25"	4"	2.25"	4.5"	2.25"	4.5"	2.625"
C – .125"	3.5"	2.25"	4"	2.25"	4.5"	2.25"	4.5"	2.25"	5"	2.625"
D – .1875"	3.5"	2.25"	4"	2.25"	4.5"	2.25"	4.5"	2.375"	5"	2.625"
E – .25" Estate Roses	3.5"	2.25"	4"	2.25"	4.5"	2.25"	4.5"	2.375"	5"	2.625"
F – .3125"	4"	2.25"	4.5"	2.25"	4.5"	2.375"	5"	2.375"	5"	2.625"
G – .375"	4"	2.25"	4.5"	2.375"	5"	2.375"	5"	2.625"	5.5"	2.875"
H – .435"	4.5"	2.25"	4.5"	2.375"	5"	2.375"	5"	2.625"	5.5"	2.875"
H1, I – .56"	4.5"	2.25"	5"	2.375"	5"	2.625"	5.5"	2.875"	5.5"	2.875"
J – .75"	5"	2.625"	5.5"	2.875"	5.5"	2.875"	6"	2.875"	6"	3.375"

.A SUFFIX TRANSITIONAL SPINDLES (OLD STYLE):

For use with all discontinued Estate threaded knobs & levers, as well as all current Estate knobs and levers

Transitional Straight Spindles – Passage

Item #	Description	Size	Price
0509.004.A	Transitional straight	3"	\$27
0510.004.A	Transitional straight	3.5"	\$27
0511.004.A	Transitional straight	4"	\$27
0512.004.A	Transitional straight	4.5"	\$27
0513.004.A	Transitional straight	5"	\$27
0514.004.A	Transitional straight	5.5"	\$27
0515.004.A	Transitional straight	6"	\$27
0516.004.A	Transitional straight	7"	\$27

Transitional Swivel Spindles – Privacy

Item #	Description	Size	Price
0519.004.A	Transitional swivel	3"	\$35
0520.004.A	Transitional swivel	3.5"	\$35
0521.004.A	Transitional swivel	4.5"	\$35
0522.004.A	Transitional swivel	4"	\$35
0524.004.A	Transitional swivel	5"	\$35
0525.004.A	Transitional swivel	6.5"	\$35

Transitional Half Spindles – Front Door (thumbpiece to knob or lever)

Item #	Description	Size	Price
0533.004.A	Transitional half	2.25"	\$27
0530.004.A	Transitional half	2.375"	\$27
0531.004.A	Transitional half	2.875"	\$27
0532.004.A	Transitional half	3.375"	\$27

Single Cylinder – C Keyway

Door Thickness	1.375"		1.75"		2"		2.25"		2.5"	
	Cylinder Length	Blocking Ring	Cylinder Length	Blocking Ring	Cylinder Length	Blocking Ring	Cylinder Length	Blocking Ring	Cylinder Length	Blocking Ring
A - .0625"	1" 8321.xxx	.25" 8440.xxx.6	1" 8321.xxx	—	1.125" 8322.xxx	—	1.25" 8323.xxx	—	1.375" 8324.xxx	—
B - .0937"	1" 8321.xxx	.1875" 8440.xxx.5	1" 8321.xxx	—	1.125" 8322.xxx	—	1.25" 8323.xxx	—	1.375" 8324.xxx	—
C - .125"	1" 8321.xxx	.1875" 8440.xxx.5	1.125" 8322.xxx	—	1.125" 8322.xxx	—	1.25" 8323.xxx	—	1.375" 8324.xxx	—
D - .1875"	1" 8321.xxx	.1562" 8440.xxx.4	1.125" 8322.xxx	—	1.25" 8323.xxx	—	1.375" 8324.xxx	—	1.5" 8325.xxx	—
E - .25"	1" 8321.xxx	—	1.25" 8322.xxx	—	1.25" 8323.xxx	—	1.375" 8324.xxx	—	1.5" 8325.xxx	—
F - .3125"	1.125" 8322.xxx	—	1.25" 8323.xxx	—	1.375" 8324.xxx	—	1.5" 8325.xxx	—	1.625" 8326.xxx	—
G - .375"	1.125" 8322.xxx	—	1.25" 8323.xxx	—	1.375" 8324.xxx	—	1.5" 8325.xxx	—	1.625" 8326.xxx	—
H - .435"	1.125" 8322.xxx	—	1.375" 8324.xxx	—	1.5" 8325.xxx	—	1.625" 8326.xxx	—	1.75" 8327.xxx	—
H1- .53"	1.125" 8322.xxx	—	1.5" 8325.xxx	—	1.5" 8325.xxx	—	1.625" 8326.xxx	—	1.75" 8327.xxx	—
I - .56"	1.125" 8322.xxx	—	1.5" 8325.xxx	—	1.625" 8326.xxx	—	1.75" 8327.xxx	—	1.75" 8327.xxx	—
J - .75"	1.5" 8325.xxx	—	1.625" 8326.xxx	—	1.75" 8327.xxx	—	2" 8328.xxx	.125" 8440.xxx.3	2" 8328.xxx	—

Finish: 003, 031, 033, 044, 050, 055, 056, 060, 076, 102, 112, 190, 260, M02



Item #	Description	Price
8321.xxx	Mortise Cyl. 1"	\$82
8322.xxx	Mortise Cyl. 1.125"	\$82
8323.xxx	Mortise Cyl. 1.25"	\$82
8324.xxx	Mortise Cyl. 1.375"	\$82
8325.xxx	Mortise Cyl. 1.5"	\$82
8326.xxx	Mortise Cyl. 1.625"	\$169
8327.xxx	Mortise Cyl. 1.75"	\$169
8328.xxx	Mortise Cyl. 2"	\$169
8329.xxx	Mortise Cyl. 2.25"	\$169
8330.xxx	Mortise Cyl. 2.5"	\$169

NOTE: When ordering cylinders for G-SERIES MORTISE LOCKS, use this chart, but add a suffix 'EMHT' to the end of the Item #. (same price as standard C keyway cylinders)

EXAMPLE:

Lifetime Polished Brass 1.25" cylinder for G-series mortise
8323.003.EMHT

8321



Double Cylinder – C Keyway

+ Two Blocking Rings Required

Finish: 003, 031, 033, 044, 050, 055, 056, 060, 076, 102, 112, 190, 260

Door Thickness	1.375"		1.75"		2"		2.25"		2.5"	
	Cylinder Length	Blocking Ring	Cylinder Length	Blocking Ring	Cylinder Length	Blocking Ring	Cylinder Length	Blocking Ring	Cylinder Length	Blocking Ring
A - .0625"	1" 8321.xxx.DBL	.2812" + 8440.xxx.2&5	1" 8321.xxx.DBL	.0937" + 8440.xxx.2	1" 8321.xxx.DBL	—	1.125" 8322.xxx.DBL	—	1.25" 8323.xxx.DBL	—
B - .0937"	1" 8321.xxx.DBL	.25" + 8440.xxx.6	1" 8321.xxx.DBL	.125" 8440.xxx.3	1" 8321.xxx.DBL	—	1.125" 8322.xxx.DBL	—	1.25" 8323.xxx.DBL	—
C - .125"	1" 8321.xxx.DBL	.25" + 8440.xxx.6	1" 8321.xxx.DBL	.0625" 8440.xxx.1	1.125" 8322.xxx.DBL	.0625" 8440.xxx.1	1.25" 8323.xxx.DBL	.0625" 8440.xxx.1	1.375" 8324.xxx.DBL	.0625" 8440.xxx.1
D - .1875"	1" 8321.xxx.DBL	.1562" + 8440.xxx.4	1.125" 8322.xxx.DBL	.0937" + 8440.xxx.2	1.125" 8322.xxx.DBL	—	1.25" 8323.xxx.DBL	—	1.375" 8324.xxx.DBL	—
E - .25"	1" 8321.xxx.DBL	.0937" + 8440.xxx.2	1.125" 8322.xxx.DBL	.0625" 8440.xxx.1	1.125" 8322.xxx.DBL	.0625" 8440.xxx.1	1.375" 8324.xxx.DBL	.0625" 8440.xxx.1	1.5" 8325.xxx.DBL	.0625" 8440.xxx.1
F - .3125"	1" 8321.xxx.DBL	.0625" 8440.xxx.1	1.25" 8323.xxx.DBL	.0937" + 8440.xxx.2	1.25" 8323.xxx.DBL	—	1.375" 8324.xxx.DBL	—	1.5" 8325.xxx.DBL	—
G - .375"	1" 8321.xxx.DBL	—	1.25" 8323.xxx.DBL	.0625" 8440.xxx.1	1.375" 8324.xxx.DBL	.0625" 8440.xxx.1	1.5" 8325.xxx.DBL	.0625" 8440.xxx.1	1.625" 8326.xxx.DBL	.0625" 8440.xxx.1
H - .435"	1" 8321.xxx.DBL	—	1.25" 8323.xxx.DBL	—	1.375" 8324.xxx.DBL	—	1.5" 8325.xxx.DBL	—	1.625" 8326.xxx.DBL	—
H1- .53"	1.125" 8322.xxx	—	1.375" 8324.xxx.DBL	—	1.5" 8325.xxx.DBL	.0625" 8440.xxx.1	1.625" 8326.xxx.DBL	—	1.75" 8327.xxx.DBL	—
I - .5625"	1.125" 8322.xxx.DBL	—	1.375" 8324.xxx.DBL	—	1.5" 8325.xxx.DBL	—	1.625" 8326.xxx.DBL	—	1.75" 8327.xxx.DBL	—
J - .75"	1.5" 8325.xxx.DBL	.0937" + 8440.xxx.2	1.625" 8326.xxx.DBL	.0625" 8440.xxx.1	1.75" 8327.xxx.DBL	.0625" 8440.xxx.1	2" 8328.xxx.DBL	.1562" + 8440.xxx.4	2" 8328.xxx.DBL	.0625" 8440.xxx.1
F - .3125" Exterior	1" 8321.xxx	—	1.125" 8322.xxx	—	1.25" 8323.xxx	—	1.375" 8324.xxx	—	1.5" 8325.xxx	—
K - .875" Exterior	1.5" 8325.xxx	—	1.75" 8327.xxx	—	2" 8328.xxx	.125" 8440.xxx.3	2" 8328.xxx	—	2.25" 8329.xxx	.125" 440.xxx.3

Item #	Description	Price
8321.xxx.DBL	Double Cyl. 1"	\$161
8322.xxx.DBL	Double Cyl. 1.125"	\$161
8323.xxx.DBL	Double Cyl. 1.25"	\$161
8324.xxx.DBL	Double Cyl. 1.375"	\$161
8325.xxx.DBL	Double Cyl. 1.5"	\$161
8326.xxx.DBL	Mortise Cyl. 1.625"	\$336
8327.xxx.DBL	Mortise Cyl. 1.75"	\$336
8328.xxx.DBL	Mortise Cyl. 2"	\$336
8329.xxx.DBL	Mortise Cyl. 2.25"	\$336
8330.xxx.DBL	Mortise Cyl. 2.5"	\$336

Block Ring

Finish: 003, 031, 033, 044, 050, 055, 056, 060, 076, 102, 112, 190, 260

Item #	Description	Price
8440.xxx.001	.0625" - 1/16" B.R.	\$24
8440.xxx.002	.0937" - 3/32" B.R.	\$24
8440.xxx.003	.125" - 1/8" B.R.	\$24
8440.xxx.004	.1562" - 3/16" B.R.	\$24
8440.xxx.005	.1875" - 3/8" B.R.	\$24
8440.xxx.006	.25" - 1/4" B.R.	\$24

8440



*Cylinders NOT available in Distressed finishes, non-distressed equivalents: 402=102

STEP 1

PICK YOUR HANDLESET TRIM, W/ KNOB OR LEVER: (SEE PAGE 122-153)

STEP 2

PICK YOUR MORTISE BOX

	Suffix*	Minus Strike*
Right hand	.R	.RDT
Left hand	.L	.LDT
Right hand Reverse bevel	.RR	.RRDT
Left hand Reverse bevel	.LR	.LRDT
Right hand Lever Strength	.RLS	.RLSDT
Left hand Lever Strength	.LLS	.LLSDT
Right hand Reverse bevel Lever Strength	.RRLS	.RRLSDT
Left hand Reverse bevel Lever Strength	.LRLS	.LRLSDT
Right hand Reverse bevel Lever Strength with 1" Front	.RRB1	.RRB1DT
Left hand Reverse bevel Lever Strength with 1" Front	.LRB1	.LRB1DT

Finish: 003, 031, 033, 034, 044, 050, 055, 056, 060, 076, 102, 112, 190, 260	
Entrance Function Mortise Locks	Price
Lock with strike	\$504
Lock without strike	\$460

Backset	Door Thickness	Function	Mortise Box	HANDLESET X KNOB		HANDLESET X LEVER		KNOB X KNOB	LEVER X LEVER
				Handing	Part Number	Handing	Part Number	Part Number	Part Number
2.75"	1.75" and up	Residential Entrance	6020	R	6020.xxx.R	RLS	6020.xxx.RLS	6001.xxx.R	6001.xxx.RLS
				L	6020.xxx.L	LLS	6020.xxx.LLS	6001.xxx.L	6001.xxx.LLS
				RR	6020.xxx.RR	RRLS	6020.xxx.RRLS	6001.xxx.RR	6001.xxx.RRLS
				LR	6020.xxx.LR	LRLS	6020.xxx.LRLS	6001.xxx.LR	6001.xxx.LRLS
2.75"	1.75" and up	Residential Entrance	6021	R	6021.xxx.R	RLS	6021.xxx.RLS	6075.xxx.R	6075.xxx.RLS
				L	6021.xxx.L	LLS	6021.xxx.LLS	6075.xxx.L	6075.xxx.LLS
		Emergency Egress		RR	6021.xxx.RR	RRLS	6021.xxx.RRLS	6075.xxx.RR	6075.xxx.RRLS
				LR	6021.xxx.LR	LRLS	6021.xxx.LRLS	6075.xxx.LR	6075.xxx.LRLS
2.75"	1.75" and up	Entrance Back-to-Back	6025	-	-	-	-	-	
2.5"	1.375/1.75 and up	Residential Entrance	6320	R	6320.xxx.R	RLS	6320.xxx.RLS	6301.xxx.R	6301.xxx.RLS
				L	6320.xxx.L	LLS	6320.xxx.LLS	6301.xxx.L	6301.xxx.LLS
				RR	6320.xxx.RR	RRLS	6320.xxx.RRLS	6301.xxx.RR	6301.xxx.RRLS
				LR	6320.xxx.LR	LRLS	6320.xxx.LRLS	6301.xxx.LR	6301.xxx.LRLS
2.5"	1.375/1.75 and up	Residential Entrance	6321	R	6321.xxx.R	RLS	6321.xxx.RLS	6375.xxx.R	6375.xxx.RLS
				L	6321.xxx.L	LLS	6321.xxx.LLS	6375.xxx.L	6375.xxx.LLS
		Emergency Egress		RR	6321.xxx.RR	RRLS	6321.xxx.RRLS	6375.xxx.RR	6375.xxx.RRLS
				LR	6321.xxx.LR	LRLS	6321.xxx.LRLS	6375.xxx.LR	6375.xxx.LRLS
2.5"	1.375/1.75 and up	Entrance Back-to-Back	6325	-	-	-	-	-	

STEP 3

PICK YOUR CYLINDER (SEE INSIDE FLAP FOR CYLINDER TABLE)

IF YOUR DOOR IS NOT 1.75" THICK, ALSO REQUIRED

STEP 4

SPINDLE (SEE INSIDE FLAP CHART)

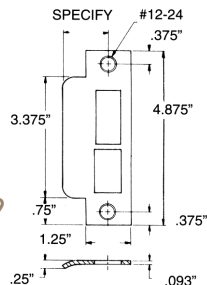
STEP 5

THICK DOOR KIT (DOORS OVER 1.75" AND UP TO 2.25" THICK, SEE PAGE 145)

STEP 6

EXTENDED LIP STRIKE

**6037, 6038, 6039
6338, 6339**



Lip to Center length determined by the following formula:
 Door thickness ÷ 2 + .375" (10mm) = Lip to Center length
 Round to closest size

Finish: 003, 031, 033, 044, 050, 055, 056, 060, 076, 102, 112, 190, 260

Item #	Function	Price
6037.xxx.XXXX	2.75" backset latch, deadbolt, aux latch	\$95
6038.xxx.XXXX	2.75" backset latch only	\$95
6039.xxx.XXXX	2.75" backset latch, deadbolt	\$95
6338.xxx.XXXX	1.5," 2," 2.5" backset latch only	\$95
6339.xxx.XXXX	1.5," 2," 2.5" backset latch, deadbolt	\$95

.XXXX indicates Extended Lip to Center size = .R158, .L158, .R178, .L178, .R214, .L214, .R300, .L300

6037, 6038, 6039, 6338, 6339.xxx – EXTENDED LIP STRIKES (HANDED)

- Use with locks installed on special door/frame conditions
- Supplied with a curved lip only
- ALWAYS SPECIFY HAND OF DOOR AND REQUIRED LENGTH
- Note: Reverse bevel doors use opposite hand for strike selection (ie. Right hand reverse bevel use left hand strike.)
- Lip to Center lengths:
 - .R158 or .L158 – 1.625" (41mm)
 - .R178 or .L178 – 1.875" (48mm)
 - .R214 or .L214 – 2.25" (57mm)
 - .R300 or .L300 – 3" (76mm)

BALDWIN®

TO VIEW DIGITAL PRICE BOOK, SCAN HERE



19701 DA VINCI, LAKE FOREST, CALIFORNIA 92610
800.437.7448 · BALDWINHARDWARE.COM