



Column Wrap
Installation Guide

WARNING! Please read all instructions completely before starting any part of the installation.

- AZEK Column Wraps are not structural and are not intended for load bearing applications.
- Manufactured edges of the column wrap are sharp and should be handled with care.
- AZEK Column Wrap should be installed in accordance with the local building codes and the installation guidelines included below. AZEK Building Products Inc. accepts no liability or responsibility for the improper installation of this product. Failure to install AZEK Column Wrap in accordance with applicable building codes and this Installation Guide may lead to personal injury, affect product performance and void the product warranty.
- AZEK Column Wrap may not be suitable for every application. It is the sole responsibility of the installer to be sure that AZEK Column Wraps are fit for the intended use. Since all installations are unique, it is also the installer's responsibility to determine specific requirements in regards

- to each application.
- AZEK Exteriors recommends that all applications be reviewed by a licensed architect, engineer, or local building official before installation. If you have any questions or need further assistance, please call AZEK Customer Service at 877-ASK-AZEK (877-275-2935) or visit our website at www.AZEKexteriors.com.

Storage & Handling

- Care should be taken in handling the individually wrapped column wraps to prevent tearing of tape or cracking at miter lock corner joints.
- Store AZEK Column Wrap on a flat level surface.
- Since AZEK Trim products are more flexible than wood, they may conform to uneven surfaces. Ensure that storage areas, as well as all framing and substructures, are flat and level to minimize uneven surfaces.
- AZEK Column Wrap has a density comparable to pine and should be handled in similar fashion as pine to avoid damage.
- Units of AZEK products are shipped from the manufacturer in a protective covering. If covering has been removed, take care to keep product free of dirt and debris at jobsite. If product gets dirty, clean after installation.

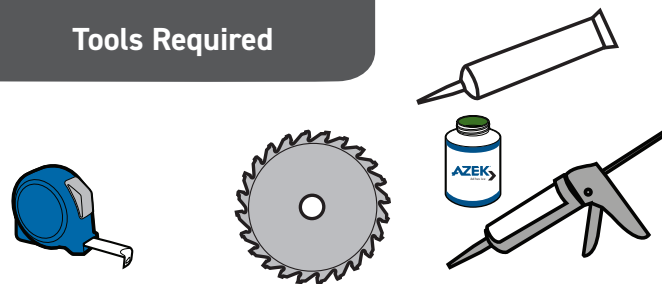
Cutting

- AZEK Column Wrap can be cut using the same tools used to cut lumber.
- Carbide tipped blades designed to cut wood work well. Avoid using fine tooth metal cutting blades.
- Rough edges from cutting may be caused by excessive friction, poor board support, worn or improper tooling.

Fastening

- For best results, use fasteners designed for wood trim and wood siding. These fasteners have a thinner shank, blunt point, and full round head.
- To take advantage of the performance of AZEK products, use a highly durable fastener such as stainless steel or hot dipped galvanized.
- The fasteners should be long enough to penetrate the solid wood substrate a minimum of 1 1/2".
- Standard nail guns work well with AZEK Trim products. If using pneumatic tools, the air pressure should be regulated so fasteners slightly penetrate the surface.
- AZEK COLUMN WRAP FASTENING CONSIDERATIONS (Use one of the following):
 - #7 trim screw
 - 16 gauge T-nail
 - 15 gauge round head
 - Fasteners should be a minimum of 1 1/2" in length

Tools Required



Gluing

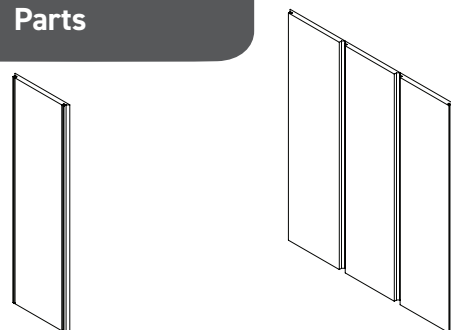
- For best results, eliminate debris from grooved joints prior to applying glue so that joints can maintain good contact with each other.
- For best results, apply adhesive to all joints to prevent joint separation.
- The glued joint should be secured to allow adequate bonding time. Do not use a fastener to secure the joint.
- AZEK Adhesive has a working time of approximately 10 minutes and will be fully cured in at least 24 hours.
- If standard PVC cements are used, these products typically cure quickly which will result in limited working time and may reduce adhesive strength.

Painting

- AZEK Column Wrap does not require paint for protection, but accepts and holds paint very well.
- If you choose to paint, use a 100% acrylic latex paint with colors having a Light Reflective Value (LRV) of 55 or higher.
- For darker colors (LRV of 54 or lower) use paints with heat reflective characteristics specifically formulated for use on vinyl/PVC products. These paints/coatings are designed to reduce excessive heat gain.
- WARNING: It is recommended that should you choose to paint a darker color (LRV of 54 or lower) all aforementioned installation steps should be followed.
- Follow the paint manufacturers recommendations for use and compatibility with AZEK Column Wrap.
- AZEK Column Wrap surfaces must be clean, dry, and void of any foreign material such as dirt, oil, grease or other contaminants that may come from normal handling, storage and/or installation prior to painting.
- Moisture cycling is a main reason for paint failure on wood. Since AZEK material absorbs almost no moisture, paints last longer on AZEK products than it does on wood.
- Since AZEK products have almost no moisture absorption, paints may take longer to cure on AZEK material than on wood. Generally paints on AZEK products will be dry to the touch quickly, but may take up to 30 days to fully cure depending on the humidity and temperature.

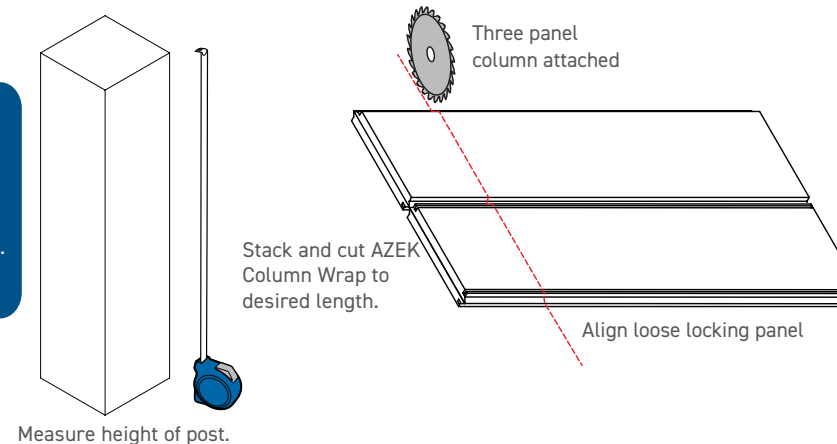
<https://azekexteriors.com/resources/painting>

Parts



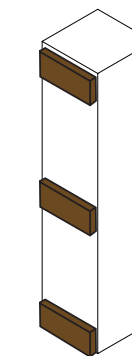
1 MEASURE POST HEIGHT AND CUT COLUMN WRAP TO DESIRED LENGTH

Make sure three connected panels and locking panel are cut evenly.



2 INSTALL SHIMS TO POST IF NEEDED

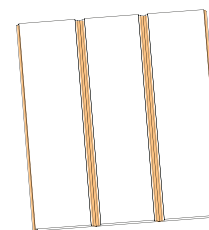
(Optional)



If necessary, install thin shims to the top, middle and bottom of the structural post so that the Column Wrap fits tightly around the structural post. Shim all four (4) sides evenly to maintain equal spacing around the post. Be sure the shimmed outside dimensions are no wider than the inside dimensions of the AZEK Column Wrap.

3 ADD ADHESIVE TO THREE PANEL COLUMN WRAP

Apply adhesive in the orange areas.



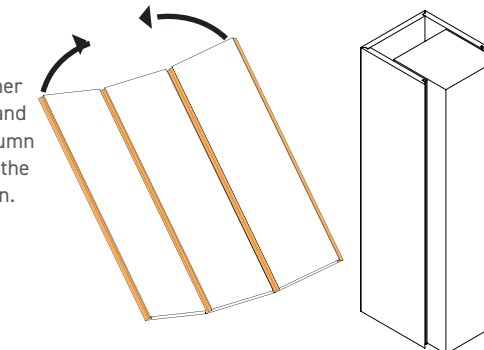
Apply a small bead of Cellular PVC adhesive to the bead/groove corner joints and grooved female ends of the three panel column wrap.

Acceptable Adhesives:
 • AZEK Adhesive
 • Devcon Trimbond
 • Extreme Adhesives (Fast Cure)
 • OSI TeQBond

* Warning: Do not apply excessive adhesive to corner joints.

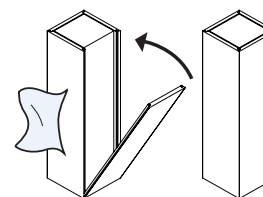
4 PLACE THREE PANEL COLUMN WRAP AROUND POST

Fold and lock panels together horizontally and place the column wrap around the post as shown.



5 SNAP THE LOCKING PANEL TO THE THREE PANEL COLUMN WRAP

Start at the bottom of the three panel AZEK Column Wrap.

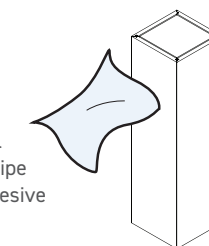


Fit the tongue of the locking panel into the grooved ends of the folded three connected panels. Carefully apply pressure with a clean rag so it snaps into place. Secure/clamp Column Wrap to allow adhesive to cure.

6 WIPE EXCESS ADHESIVE OFF WITH CLEAN RAG

Remove tape from joint prior to full cure and wipe excess adhesive off edges.

Note: When using AZEK Column Wrap around a post in a railing application, solid blocking must be attached between the post and the AZEK Column Wrap. Refer to your local building code for details.

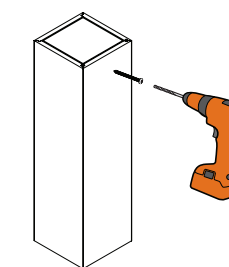


7 FASTEN COLUMN WRAP TO POST / EASE EDGES

(Optional)

Column Wrap may be fastened to the post using stainless steel nails or exterior grade screws. Nail or screw holes can be easily filled using a sealant or comparable products formulated specifically for use with cellular PVC.

Recommendation: Use hand held Slickplane® tool to ease edges after tape is removed.



If possible position fasteners where they can be covered by mouldings.



AZEK Exteriors
1330 West Fulton St. Suite #350
Chicago, Illinois 60607
AZEKexteriors.com • (877) ASK-AZEK (877) 275-2935