

DesignRail® Custom - Request for Quote



DesignRail® railings are easily adaptable to any exterior, interior, commercial, or residential project. Simply choose from the style options below to create your perfect railing design. When complete, email form to sales@feeneyinc.com and copy your Feeney® representative.

* Dealer Name & Location _____

* Dealer Contact Person _____

* Dealer Phone _____

* Dealer Email _____

* Customer/Project Name _____

* Project Shipping Address _____

Project Timeline _____

* Project Type Residential - New Residential - Remodel
(residential only) Commercial - New Commercial - Remodel







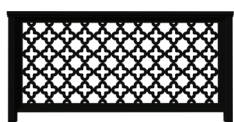

* Project Location Indoor Inland Coastal (Salt Water)
(all locations) Outdoor Distance from water _____

Feeney Representative _____

* Required Fields



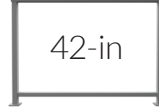
STEP 3

Select Infill

<input type="checkbox"/>		<input type="checkbox"/>	
	1/8" HORIZONTAL CABLE BOTTOM RAIL		1/8" HORIZONTAL CABLE NO BOTTOM RAIL
	<input type="checkbox"/> Standard Cablerail Kits		<input type="checkbox"/> Cablerail Conceal Kits
<input type="checkbox"/>		<input type="checkbox"/>	
	VERTICAL CABLES		VERTICAL PICKETS
<input type="checkbox"/>		<input type="checkbox"/>	
	TEMPERED GLASS		RESIN
			Style _____
<input type="checkbox"/>		<input type="checkbox"/>	
	LASER CUT ALUMINUM		STAINLESS STEEL MESH
	Style _____		Style _____

STEP 1

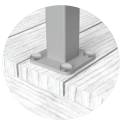

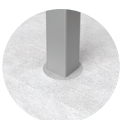
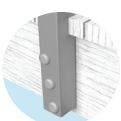


Select Railing Height

<input type="checkbox"/>		<input type="checkbox"/>		<input type="checkbox"/>	
	36-in		39-in		42-in
<input type="checkbox"/>	Custom height: _____				
	<i>Building codes in your area may require your rails to meet a minimum height. Consult your local building codes when choosing a height for your project.</i>				

STEP 2

Select Mounting

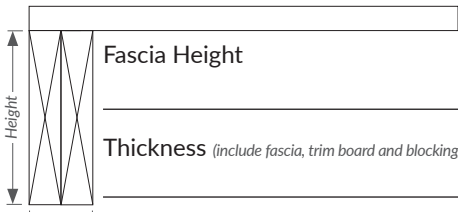
MOUNTING OPTIONS

	<input type="checkbox"/> Base
	<input type="checkbox"/> Base Plate Covers
	<input type="checkbox"/> Stanchion
	<input type="checkbox"/> Core
	<input type="checkbox"/> Direct Fascia
	<input type="checkbox"/> Fascia Bracket

MOUNTING SURFACE

	<input type="checkbox"/> Wood
	<input type="checkbox"/> Composite over Wood
	<input type="checkbox"/> Concrete Slab
	Other _____

FASCIA DETAILS (only if Fascia Mount chosen)

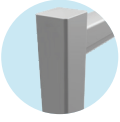



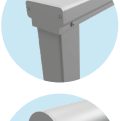
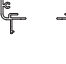
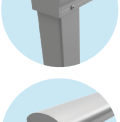

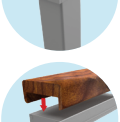





Fascia Height _____

Thickness (include fascia, trim board and blocking) _____

STEP 4

Select Top Rail

	<input type="checkbox"/>	SQUARE TOP RAIL (SERIES 100)	<input type="checkbox"/>		Post to Post Top Rail
	<input type="checkbox"/>	GRASPABLE TOP RAIL (SERIES 150)	<input type="checkbox"/>		(Type II graspable stair profile code compliant) Post to Post Top Rail
	<input type="checkbox"/>	RECTANGLE TOP RAIL (SERIES 200)	<input type="checkbox"/>		Over the Post Top Rail
	<input type="checkbox"/>	ROUND TOP RAIL (SERIES 300)	<input type="checkbox"/>		Over the Post Top Rail
	<input type="checkbox"/>	ELLIPTICAL TOP RAIL (SERIES 350)	<input type="checkbox"/>		Over the Post Top Rail
	<input type="checkbox"/>	LOW-PROFILE TOP RAIL (SERIES 450)	<input type="checkbox"/>		Over the Post Top Rail (Wood/Composite are not included.)

* Required Fields

STEP 5

Select Color

Post Color _____

Top Rail Color _____

Intermediate Picket, Picket Panel, and/or Laser Panel Color (if applicable) _____



POWDER-COATED ALUMINUM COLORS

BRIGHT WHITE	SPARKLING CHAMPAGNE
MODERN WHITE	BRONZE
COFFEE CREAM	OIL RUBBED BRONZE
SILVER	BRICKYARD RED
DOVE GRAY	COMMODORE BLUE
IRON GRAY	HARTFORD GREEN
BLUE STEEL	
MATTE BLACK	
TEXTURED BLACK	

"WOOD" TOP RAIL OPTIONS
(TOP RAIL SERIES 150/200)

WEATHERED GRAY
CHERRY
WALNUT

STEP 6

Select Stair Post Angle

Standard Options (choose one)

None 23°-28° 29°-34° 35°-39°

Custom angle: _____

Blank Post (Posts will not be pre-drilled)

STEP 7

Select Accessories/Upgrades

- | | |
|---|---|
| <input type="checkbox"/> Handrails | <input type="checkbox"/> Top Rail Lighting |
| <input type="checkbox"/> Intermediate Horizontal Rail | <input type="checkbox"/> Bottom Rail Lighting |
| <input type="checkbox"/> Gate(s) | <input type="checkbox"/> Post Accent Lights |
| <input type="checkbox"/> Stainless Steel Pickets | <input type="checkbox"/> Stainless Steel End Caps |

* **SKETCH YOUR LAYOUT** (Don't forget to attach your layout if not drawn below)

When complete, email form to sales@feeneyinc.com and copy your Feeney representative.